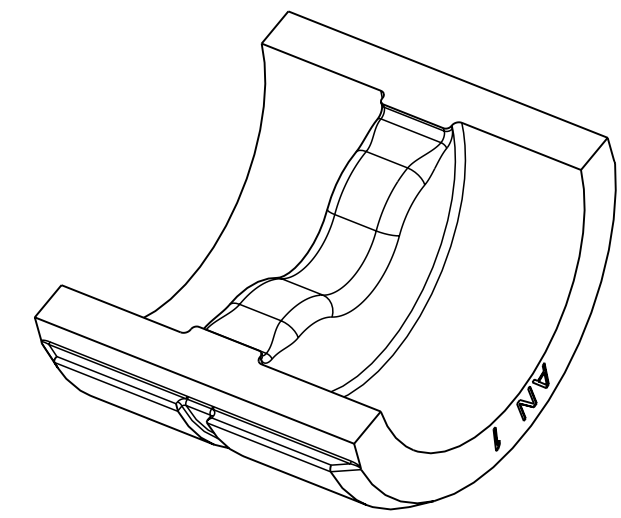
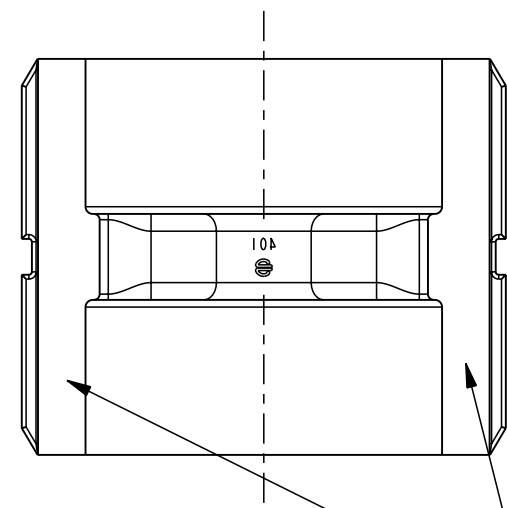
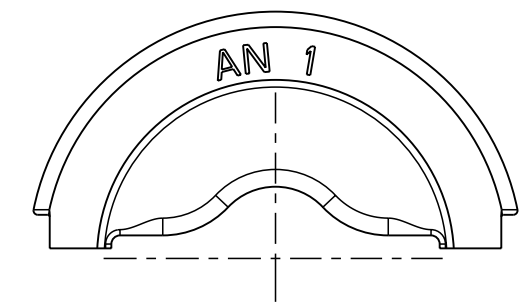
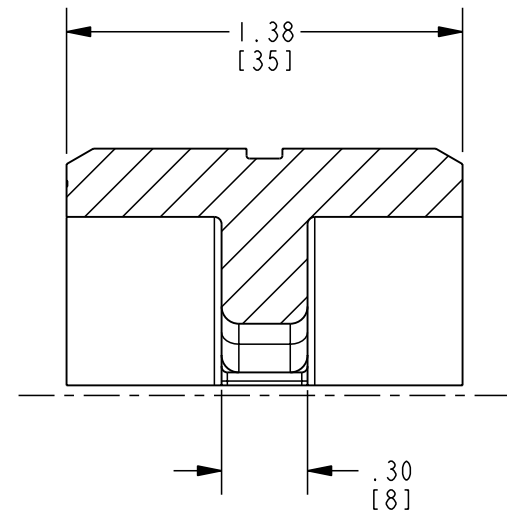
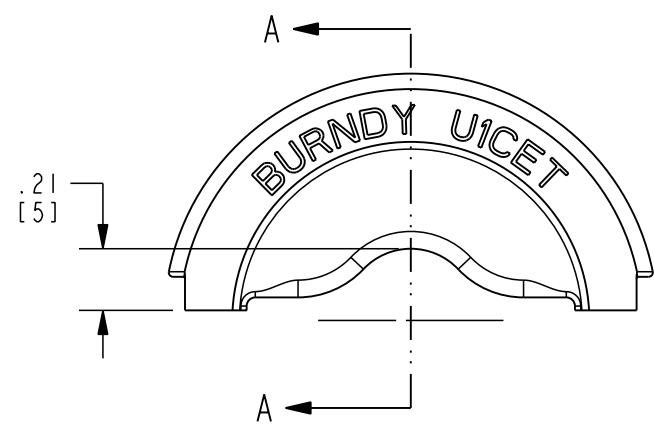


REV.	DATE	DESCRIPTION	ECO	BY	C'H'K.
A	10/15/2010 1:38:00 PM	NEW DRAWING	22363	TRF	MAC



BUTTING SURFACES
TO MATING DIES

NOTES:

1. DIMENSIONS IN BRACKETS [] ARE IN MILLIMETERS ROUNDED OFF TO THE NEAREST MILLIMETER, UNLESS OTHERWISE SPECIFIED AND ARE FOR REFERENCE ONLY.
2. MATERIAL: STAINLESS STEEL

TO ORDER BURNDY® PRODUCTS CALL
 UNITED STATES:
 1-800-346-4175 (LONDONDERRY, NH)
 CANADA:
 1-800-361-6975 (QUEBEC)
 1-800-387-6487 (ALL OTHER PROVINCES)
 FOR PRODUCT INFO: <http://www.burndy.com>

CIRCULAR BUTTING TWIN DIES			
ITEM NO: 421128			
CAT. NO: UICET			
DRAWN BY: T. FAUCHER	10/04/2010		
CHECKER: M. CHIASSON	10/05/2010		
DSN APPVL: M. CHIASSON	10/06/2010		
MFG APPVL: S. GONYAW	10/06/2010		
QA APPVL: J. BRODEUR	10/15/2010		
MKT APPVL: R. POIRIER	10/06/2010		
PROD FAM: UDIE	SIZE	DRAWING NO	REV
PROJECT #: --	B	30007076	A
DOCUMENT TYPE: Sales	REL LEVEL: Released	SHEET 1 OF 1	

REV: PE0200