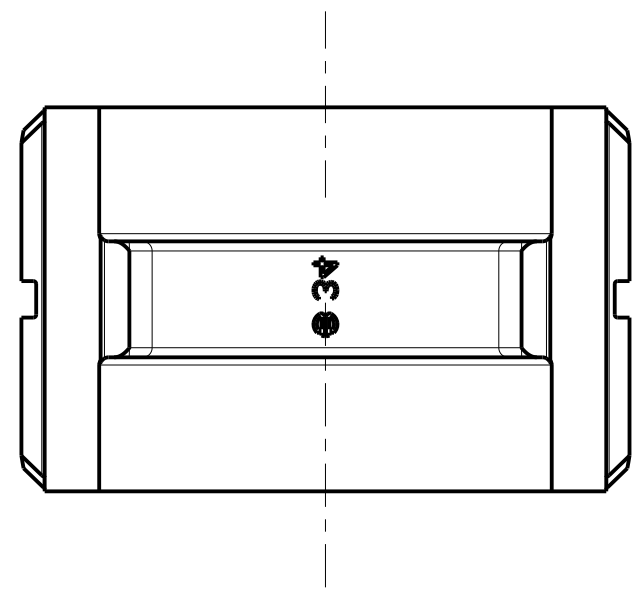
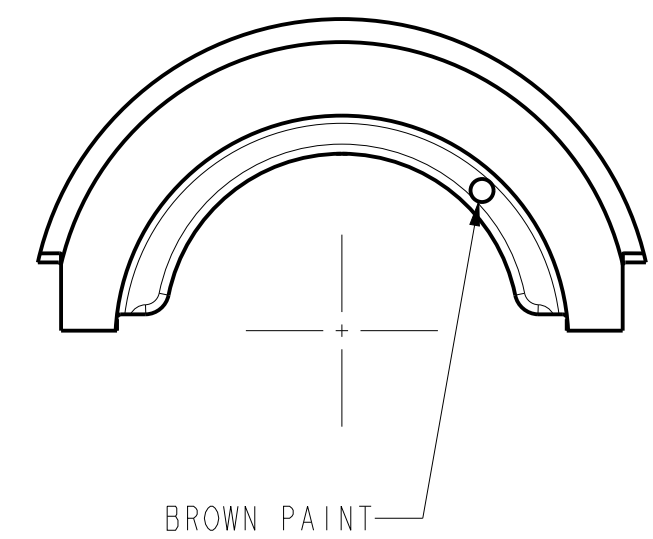
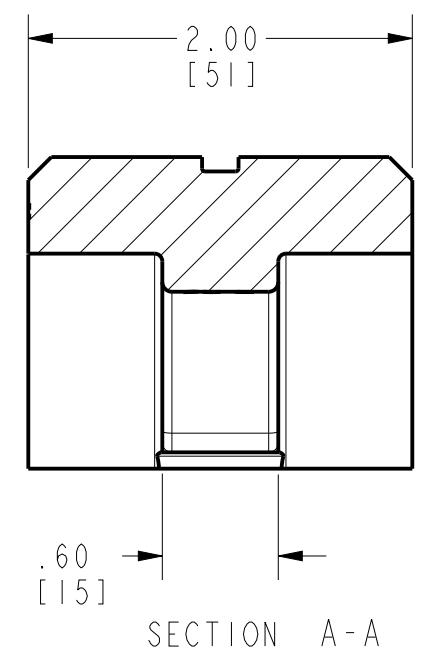
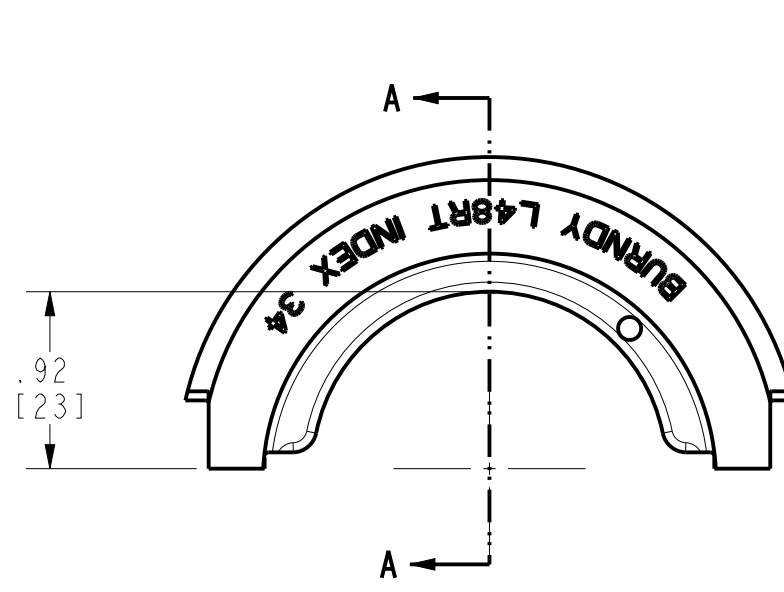


REV.	DATE	DESCRIPTION	ECO	BY	C'H'K.
B	2021-02-04 07:47:00 EST	2.5 CHANGES TO 2.00 UPDATE FLASH SHELF	210121004137	BAU	MGU



NOTES:

1. DIMENSIONS IN BRACKETS [] ARE IN MILLIMETERS ROUNDED OFF TO THE NEAREST MILLIMETER, UNLESS OTHERWISE SPECIFIED, AND ARE FOR REFERENCE ONLY.
2. MATERIAL: STAINLESS STEEL

TO ORDER BURNDY® PRODUCTS CALL
 UNITED STATES:
 1-800-346-4175 (LONDONDERRY, NH)
 CANADA:
 1-800-361-6975 (QUEBEC)
 1-800-387-6487 (ALL OTHER PROVINCES)
 FOR PRODUCT INFO: <http://www.burndy.com>

CIRCULAR TWIN DIE		DRAWING NO	REV
ITEM NO: 460039-BUR		30007596	B
CAT. NO: L48RT			
DRAWN BY: T. FAUCHER	10/21/2010		
CHECKER: M. CHIASSON	10/21/2010		
DSN APPVL: M. CHIASSON	10/13/2010		
MFG APPVL: S. GONYAW	10/14/2010		
QA APPVL: J. BRODEUR	10/15/2010		
MKT APPVL: R. POIRIER	10/14/2010		
PROD FAM: TOOLS, HYDRAULIC			
PROJECT #: --	SIZE B		
DOCUMENT TYPE: Sales			
REL LEVEL: Released			



REV: PE0200