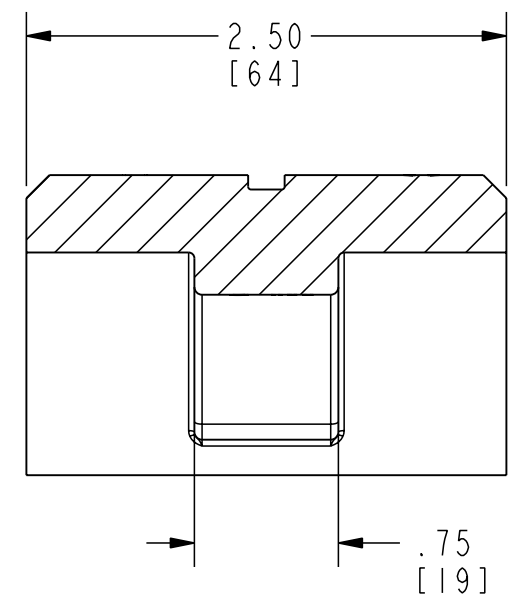
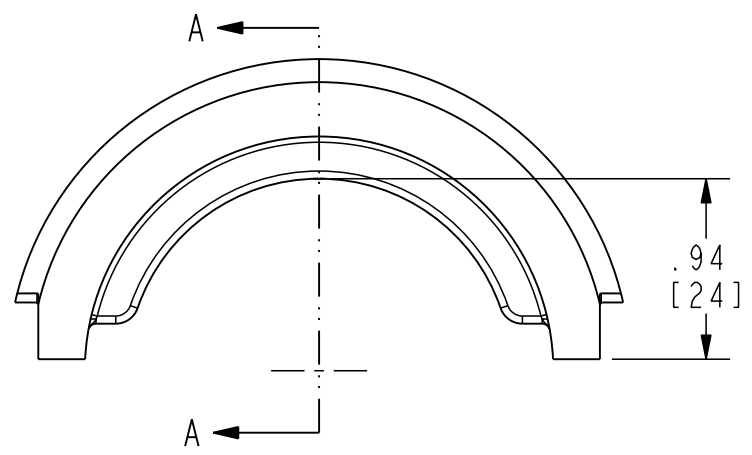
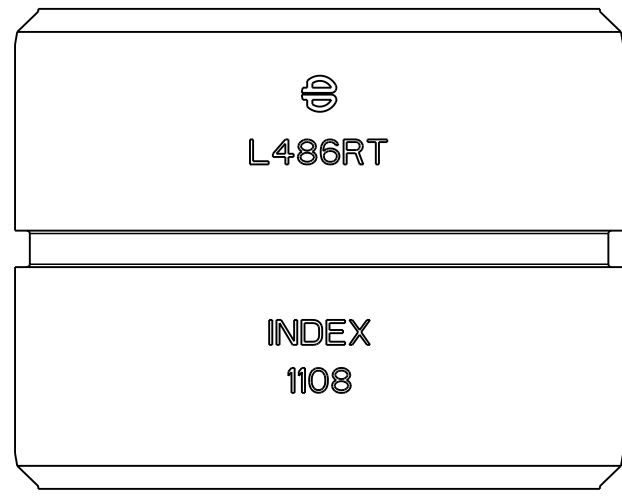
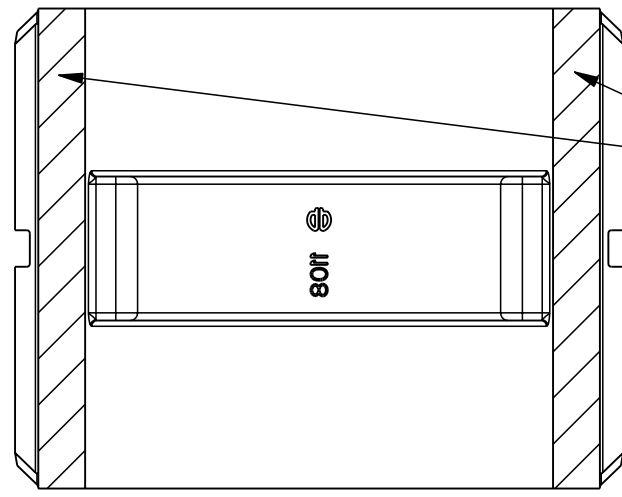
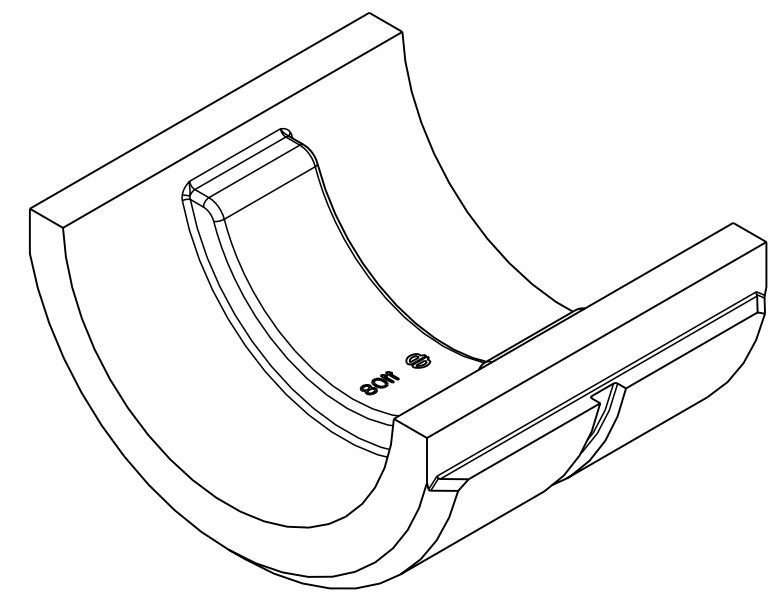


REV.	DATE	DESCRIPTION	ECO	BY	C'H'K.
A	10/19/2010 10:08:00 AM	NEW DRAWING	22415	TRF	MAC



SECTION A-A



BUTTING SURFACES TO MATING DIES

NOTES:

- DIMENSIONS IN BRACKETS [ ] ARE IN MILLIMETERS ROUNDED OFF TO THE NEAREST MILLIMETER, UNLESS OTHERWISE SPECIFIED, AND ARE FOR REFERENCE ONLY.
- MATERIAL: STAINLESS STEEL

TO ORDER BURNDY® PRODUCTS CALL  
 UNITED STATES:  
 1-800-346-4175 (LONDONDERRY, NH)  
 CANADA:  
 1-800-361-6975 (QUEBEC)  
 1-800-387-6487 (ALL OTHER PROVINCES)  
 FOR PRODUCT INFO: <http://www.burndy.com>

CIRCULAR TWIN DIE	
ITEM NO: 25017174	
CAT. NO: L486RT	
DRAWN BY: T. FAUCHER 10/19/2010	
CHECKER: M. CHIASSON 10/19/2010	
DSN APPVL: M. CHIASSON 10/13/2010	
MFG APPVL: S. GONYAW 10/14/2010	
QA APPVL: J. BRODEUR 10/15/2010	
MKT APPVL: R. POIRIER 10/14/2010	
PROD FAM: TOOLS, HYDRAULIC	SCALE: 1:1
PROJECT #: --	DRAWING NO
DOCUMENT TYPE: Sales	30007597
REL LEVEL: Released	B
	SHEET 1 OF 1
	REV A

REV: PE0200