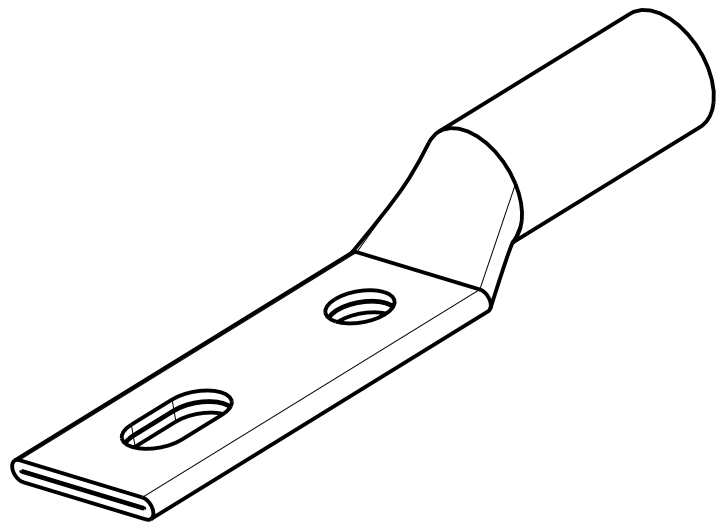
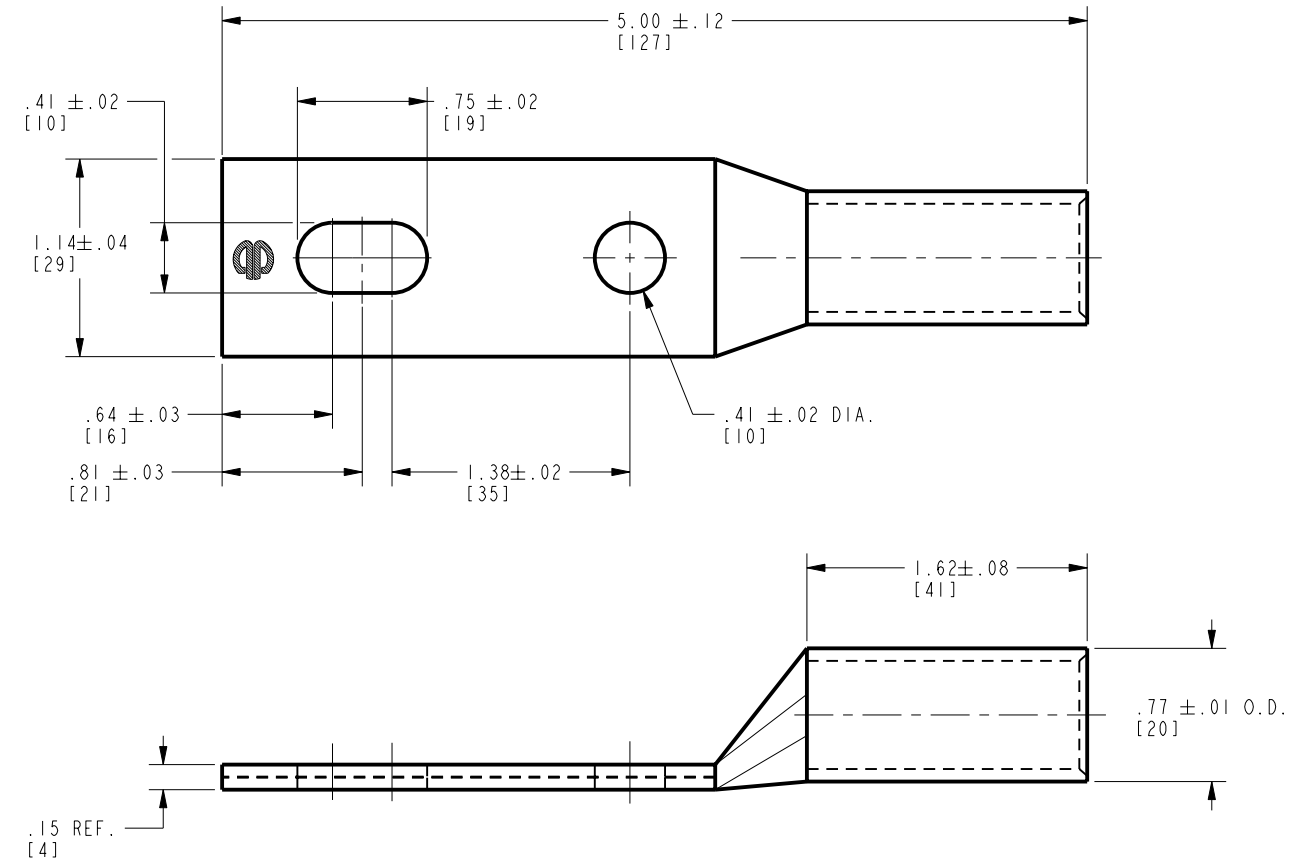


DRAWING NO.
30007823

CATALOG NUMBER	ACCOMMODATES		STUD SIZE	DIE INDEX	COLOR CODE	INSTALLATION TOOLING (# CRIMPS)						WIRE STRIP LENGTH	
	FLEXIBLE CABLE CODE AWG	NAVY				MECHANICAL		HYDRAULIC			DIELESS (# CRIMPS)		
						MD7-34R	OUR840	PAT600 Y500CT	Y750, PAT750 Y35, Y39	Y46			Y45
YAV282FXG3	4/0 STR. (550/24)	200	3/8 [M10]	15	PURPLE	W28VT (4) W28RT (4) X28RT (6)	W28VT (4) X28RT (6)	W28VT (4) X28RT (6)	U28RT (2)	U28RT (2)	U28RT (2)	MECHANICAL: MY29-11 (1) HYDRAULIC: Y644, Y644M Y644MBH, PAT64M (1) Y81KFT-, PAT81KFT-(2) Y4PC834-, PAT4PC834-(2)	1-11/16

REV	DATE	DESCRIPTION	ECO	BY	C'H'K.
A	3/2/2011 12:00:00 AM	DRAWING RELEASED	23567	IA	MA



NOTES:

- MATERIAL: COPPER.
- FINISH: TIN PLATED.
- CATALOG NUMBER "PT6515" ADAPTOR IS REQUIRED TO USE "U" TYPE DIES IN Y45 SERIES TOOLS.
- CATALOG NUMBER "PUADP-1" ADAPTOR IS REQUIRED TO USE "U" TYPE DIES IN Y46 SERIES TOOLS.
- DIMENSIONS IN BRACKETS [] ARE IN MILLIMETERS ROUNDED OFF TO THE NEAREST MILLIMETER, UNLESS OTHERWISE SPECIFIED, AND ARE FOR REFERENCE ONLY.

TO ORDER BURNDY® PRODUCTS CALL
 UNITED STATES:
 1-800-346-4175 (LONDONDERRY, NH)
 CANADA:
 1-800-361-6975 (QUEBEC)
 1-800-387-6487 (ALL OTHER PROVINCES)
 FOR PRODUCT INFO: <http://www.burndy.com>

HYLUG™	
ITEM NO:	30006027
CAT. NO:	YAV282FXG3
DRAWN BY:	T. BALAN 10/28/2010
CHECKER:	J. MICHAUD 03/01/11
DSN APPVL:	J. MICHAUD 03/01/11
MFG APPVL:	T. THRELFALL 03/02/11
QA APPVL:	T. WATTS 03/01/11
MKT APPVL:	J. SYLVIA 03/01/11
PROD FAM:	CM&R COMPRESSION
PROJECT #:	--
DOCUMENT TYPE:	Sales
REL LEVEL:	Released
SCALE:	3:2
DRAWING NO:	30007823
REV:	A

REV: PE0200