

REV	DATE	DESCRIPTION	ECO	BY	C'HK.
D	02/15/2016 00:00:00 AM	FOCUS REQUEST FPN1602040	42984	AV	MB

CATALOG NUMBER	A	B	C	D	WIRE RANGE (AWG)	STUD SIZE	FIG. NO.
YAGB4CLTC10FXOEM	1.36 [35]	0.55 [14]	0.27 [7]	1.01 [26]	#4	#10	1
YAGB4CLTC14FXOEM	1.4 [36]	0.52 [13]	0.4 [10]	1.15 [29]	#4	1/4	1
YAGB4CLTC516FXOEM	1.45 [37]	0.61 [15]	0.36 [9]	1.14 [28]	#4	5/16	1
YAGB4CLTC38FXOEM	1.45 [37]	0.61 [15]	0.36 [9]	1.14 [28]	#4	3/8	1
YAGB2CLTC14FXOEM	1.59 [40]	0.69 [18]	0.4 [10]	1.25 [32]	#2	1/4	1
YAGB2CLTC516FXOEM	1.59 [40]	0.69 [18]	0.4 [10]	1.25 [32]	#2	5/16	1
YAGB2CLTC38FXOEM	1.78 [45]	0.67 [17]	0.55 [14]	1.40 [36]	#2	3/8	1
YAGB2CLTC12FXOEM	1.77 [45]	0.76 [19]	0.54 [14]	1.4 [36]	#2	1/2	1
YAGB25LTC14FXOEM	1.92 [49]	0.83 [21]	0.5 [12.7]	1.5 [38]	1/0	1/4	1
YAGB25LTC516FXOEM	1.92 [49]	0.83 [21]	0.5 [12.7]	1.5 [38]	1/0	5/16	1
YAGB25LTC38FXOEM	1.93 [49]	0.83 [21]	0.55 [14]	1.55 [39]	1/0	3/8	1
YAGB26LTC14FXOEM	1.95 [50]	0.93 [24]	0.33 [8]	1.55 [39]	2/0	1/4	1
YAGB26LTC516FXOEM	2.06 [52]	0.93 [24]	0.5 [12.7]	1.6 [41]	2/0	5/16	1
YAGB26LTC38FXOEM	2.23 [57]	0.93 [24]	0.55 [14]	1.83 [46]	2/0	3/8	1
YAGB26LTC12FXOEM	2.38 [60]	0.93 [24]	0.55 [14]	1.83 [46]	2/0	1/2	1
YAGB28LTC14FXOEM	2.48 [63]	1.14 [29]	0.55 [14]	2.14 [54]	4/0	1/4	1
YAGB28LTC516FXOEM	2.32 [59]	1.14 [29]	0.36 [9]	1.95 [50]	4/0	5/16	1
YAGB28L516FXOEM90	1.21 [31]	1.14 [29]	0.36 [9]	0.87 [22]	4/0	5/16	2
YAGB28LTC38FXOEM	2.57 [65]	1.14 [29]	0.55 [14]	2.14 [54]	4/0	3/8	1
YAGB28L38FXOEM90	1.46 [37]	1.14 [29]	.42 [11]	.93 [24]	4/0	3/8	2
YAGB28LTC12FXOEM	2.90 [74]	1.14 [29]	0.75 [19]	2.35 [60]	4/0	1/2	1
YAGB28LTC12FX90RTOEM	1.58 [40]	1.14 [29]	0.55 [14]	1.05 [27]	4/0	1/2	2

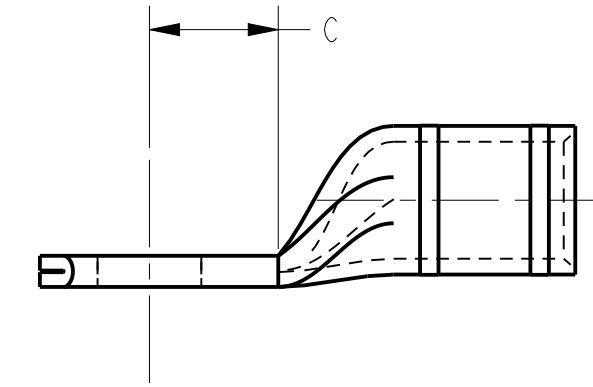
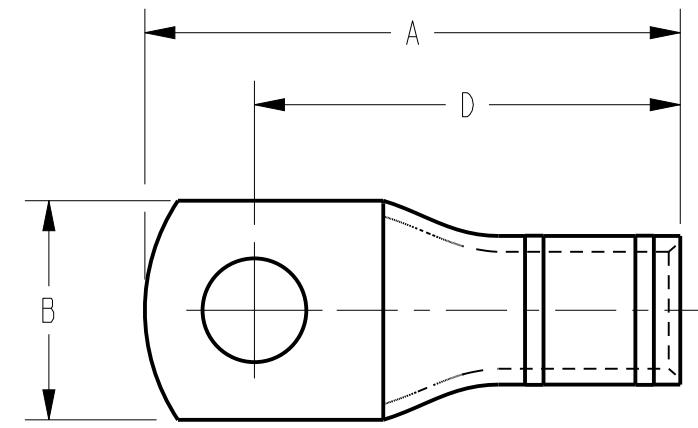


FIG. 1

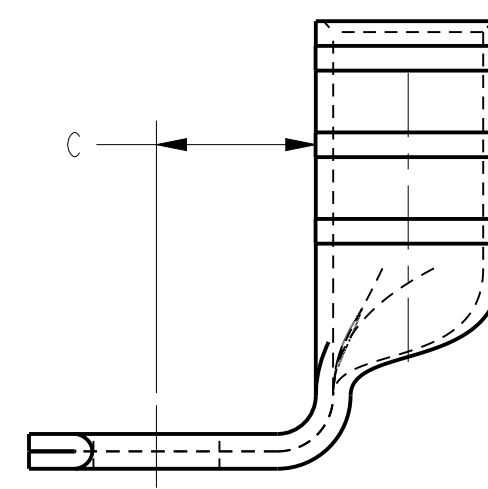
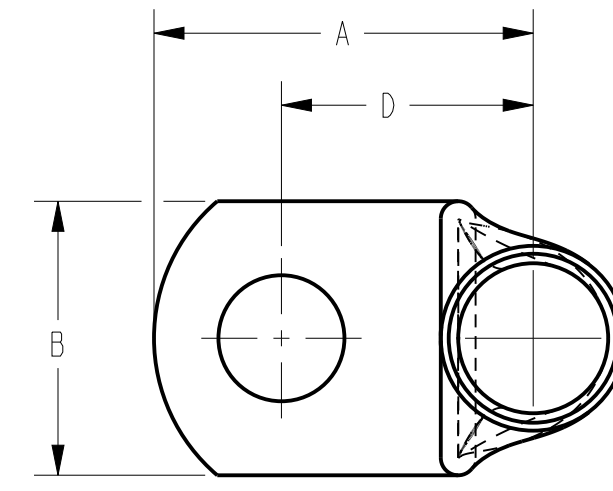
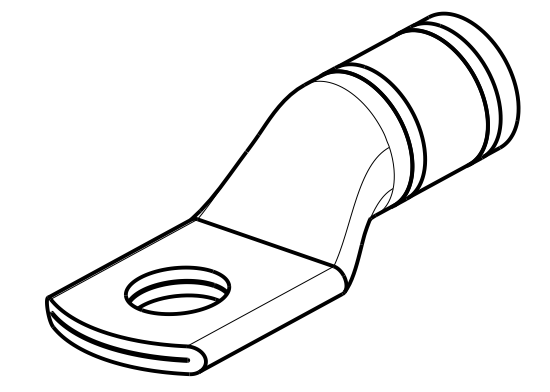
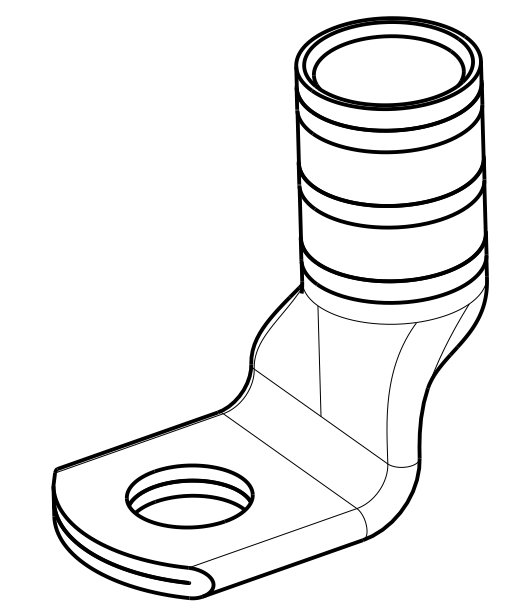


FIG. 2



NOTES:

- DIMENSIONS IN BRACKETS [] ARE IN MILLIMETERS, ROUNDED OFF TO THE NEAREST MILLIMETER, UNLESS OTHERWISE NOTED. METRIC DIMENSIONS ARE FOR REFERENCE ONLY.
- MATERIAL: COPPER TUBING.
- FINISH: ELECTRO-TIN PLATED

TO ORDER BURNDY® PRODUCTS CALL
 UNITED STATES:
 1-800-346-4175 (LONDONDERRY, NH)
 CANADA:
 1-800-361-6975 (QUEBEC)
 1-800-387-6487 (ALL OTHER PROVINCES)
 FOR PRODUCT INFO: <http://www.burndy.com>

HYLUG™	
ITEM NO:	SEE TABLE
CAT. NO:	SEE TABLE
DRAWN BY:	T.SATHISH 11/4/2010
CHECKER:	K.BOUTIN 04/06/11
DSN APPVL:	K.BOUTIN 04/06/11
MFG APPVL:	T.THERFALL 04/07/11
QA APPVL:	J.BRODEUR 04/06/11
MKT APPVL:	J.SYLVIA 04/11/11
PROD FAM:	CM&R COMPRESSION
SCALE:	1:1
PROJECT #:	--
DOCUMENT TYPE:	Sales
REL LEVEL:	Released
DRAWING NO:	30008293
REV:	D
SHEET 1 OF 1	

REV: PE0200

