

DRAWING NO.  
30008312

7

6

5

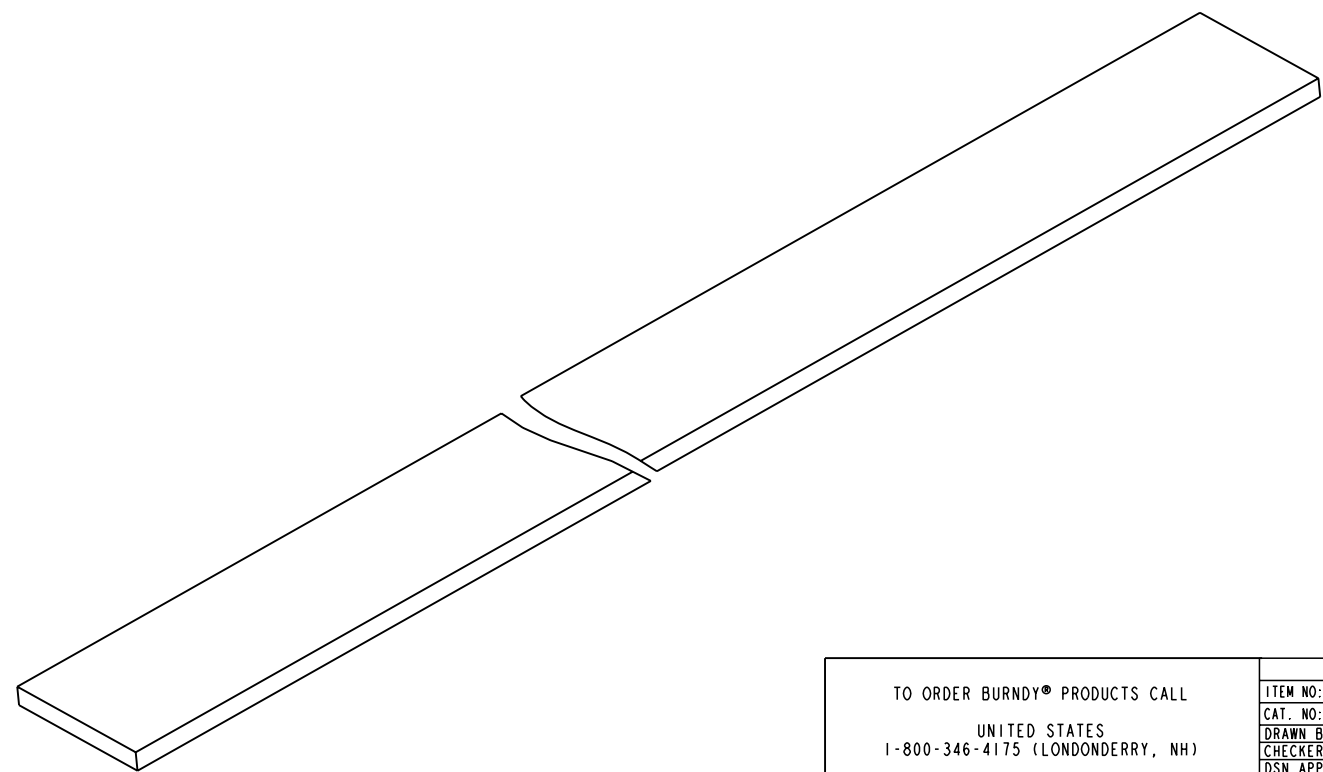
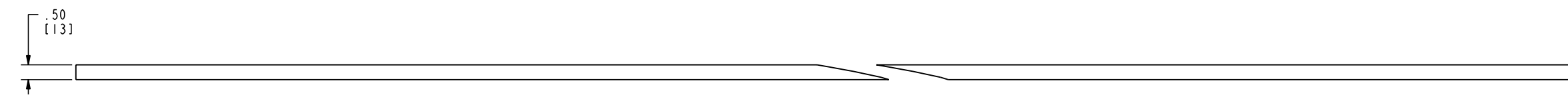
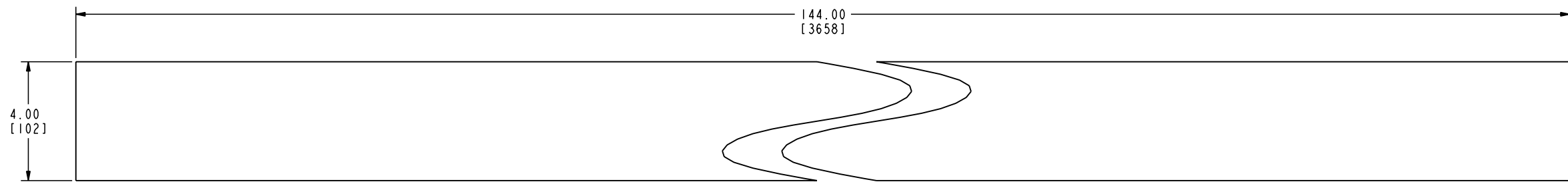
4

3

2

1

REV	DATE	DESCRIPTION	ECO	BY	C'H'K.
B	1/10/2011 10:18:00 AM	REMOVE MARKINGS PER M/U.	22955	RLB	RLB



NOTES:

1. MATERIAL: BUS BAR - COPPER.
2. DIMENSIONS IN BRACKETS [ ] ARE IN MILLIMETERS ROUNDED OFF TO THE NEAREST MILLIMETER, UNLESS OTHERWISE NOTED, AND ARE FOR REFERENCE ONLY.

REV: PE0200

TO ORDER BURNDY® PRODUCTS CALL		BUS BAR	
UNITED STATES		ITEM NO: 30006036	
1-800-346-4175 (LONDONDERRY, NH)		CAT. NO: BBB124144N	
CANADA:		DRAWN BY: B SURESH BABU 11/04/10	
1-800-361-6975 (QUEBEC)		CHECKER: K BOUTIN 11/08/10	
1-800-387-6487 (ALL OTHER PROVINCES)		DSN APPVL: K BOUTIN 11/08/10	
FOR PRODUCT INFO: <a href="http://www.burndy.com">http://www.burndy.com</a>		MFG APPVL: P KEENAN 11/08/10	
		QA APPVL: J BRODEUR 11/08/10	
		MKT APPVL: K ROBICHEAU 11/08/10	
		PROD FAM: Mechanical Grounding	SCALE: 3:8
		PROJECT #: --	DRAWING NO
		DOCUMENT TYPE: Sales	30008312
		REL LEVEL: Released	REV
			B
			SHEET 1 OF 1

8

7

6

5

4

3

2

1