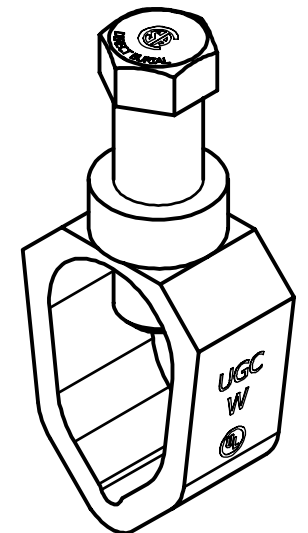
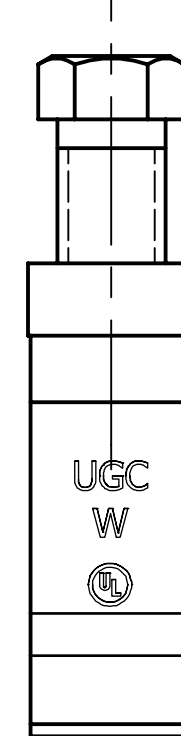
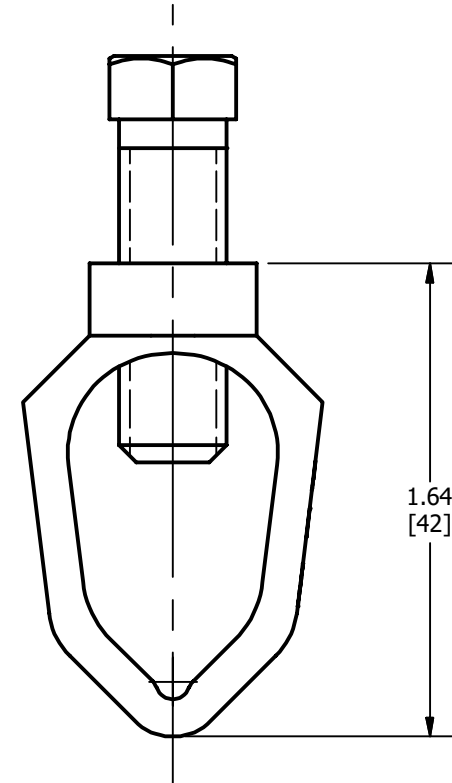
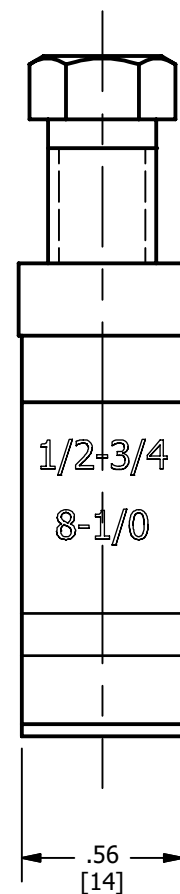
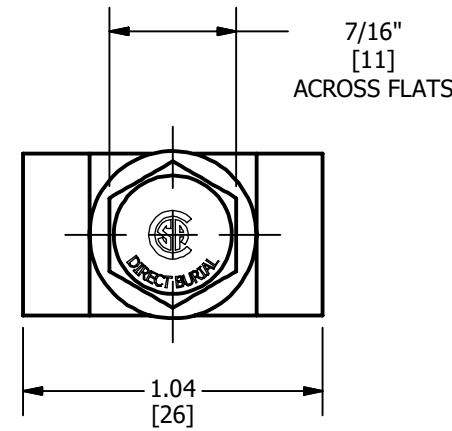


CONDUCTOR SIZE (AWG)	RECOMMENDED TORQUE (IN-LB)
8	75
6	110
4	110
2	150
1	150
1/0	180

3

REV	DATE	DESCRIPTION	ECO	BY	C'H.K.
C	07/09/2020	MATERIAL AND ACCOMMODATES DETAILS UPDATED	53848	PB	RG



NOTES:

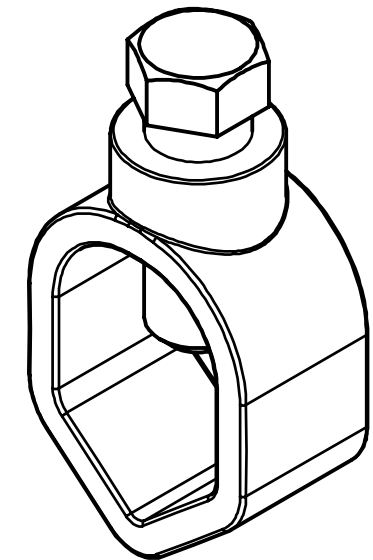
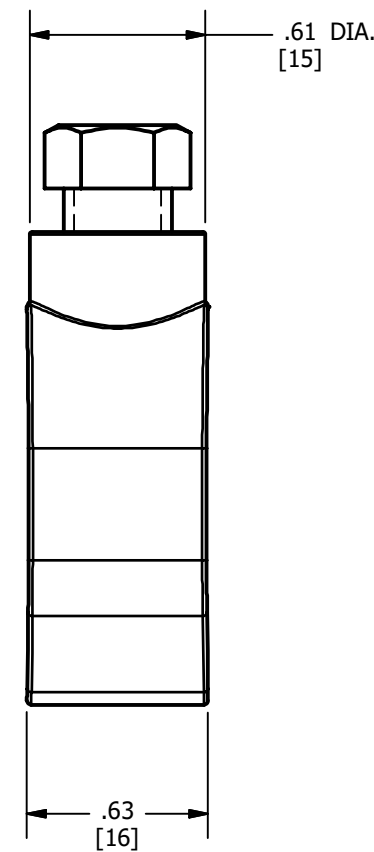
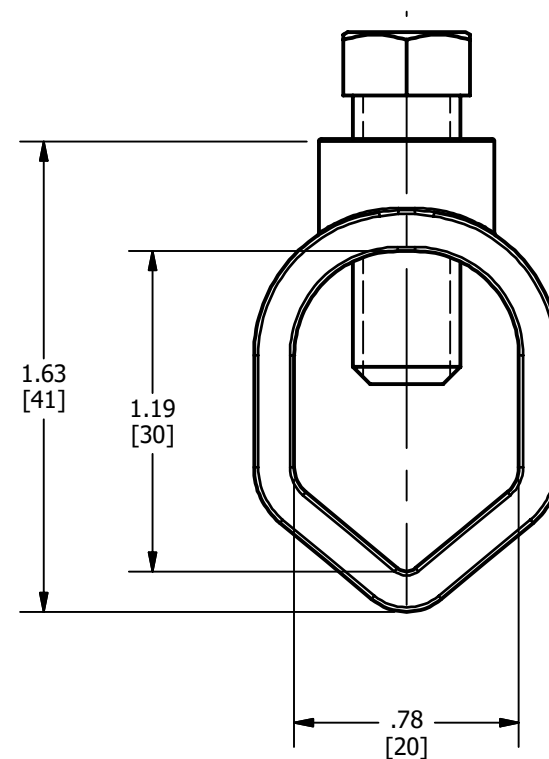
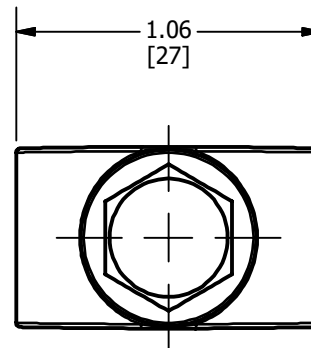
- MATERIAL: BODY : CAST COPPER ALLOY  
BOLT : STAINLESS STEEL
- ACCOMMODATES GROUND ROD : SIZES 1/2", 5/8" AND 3/4"  
CONDUCTOR : SIZES #8 AWG THROUGH 1/0 AWG  
REBAR : #4 - #5
- RECOMMENDED TORQUE VALUES ARE THE SAME, REGARDLESS OF WHICH GROUND ROD SIZE IS USED.
- UL LISTED TO UL467 FOR GROUNDING AND BONDING.  
CSA CERTIFIED TO CSA 22.2 NO. 41 FOR GROUNDING AND BONDING.
- DIMENSIONS IN BRACKETS [ ] ARE IN MILLIMETERS, ROUNDED OFF TO THE NEAREST MILLIMETER AND ARE FOR REFERENCE ONLY.

TO ORDER BURNDY® PRODUCTS CALL  
 UNITED STATES  
 1-800-346-4175 (LONDONDERRY, NH)  
 CANADA:  
 1-800-387-6487  
 FOR PRODUCT INFO: <http://www.burndy.com>

GROUND CLAMP, RANGE TAKING	
ITEM NO:	10074191
CAT. NO:	GCRT1/0
DRAWN BY:	P.SRIDHAR 11/30/2010
CHECKER:	P.WASON 11/30/2010
DSN APRVL:	P.WASON 11/30/2010
MFG APRVL:	--
QA APRVL:	J.BRODEUR 12/01/2010
MKT APRVL:	P.THERRIEN 11/30/2010
PROD FAM:	--
PROJECT #:	--
DOCUMENT TYPE:	SALES
REL LEVEL:	Released
DRAWING NO	30008698
SIZE	B
REV	C
SHEET 1 OF 2	



REV	DATE	DESCRIPTION	ECO	BY	C'H'K.
C	07/09/2020	MATERIAL AND ACCOMMODATES DETAILS UPDATED	53848	PB	RG



NOTE:

- WIRE SIZE RANGE: 10 SOL. - 1/0 STR.  
ROD SIZE RANGE: 1/2" - 3/4"  
REBAR SIZE RANGE : #4 - #5

TO ORDER BURNDY® PRODUCTS CALL  
 UNITED STATES  
 1-800-346-4175 (LONDONDERRY, NH)  
 CANADA:  
 1-800-387-6487  
 FOR PRODUCT INFO: <http://www.burndy.com>

GROUND CLAMP, RANGE TAKING	
ITEM NO: 10074191	
CAT. NO: GCRT1/0	
DRAWN BY: P.SRIDHAR	11/30/2010
CHECKER: P.WASON	11/30/2010
DSN APRVL: P.WASON	11/30/2010
MFG APRVL: --	
QA APRVL: J.BRODEUR	12/01/2010
MKT APRVL: P.THERRIEN	11/30/2010
PROD FAM: --	
PROJECT #: --	SIZE
DOCUMENT TYPE: SALES	30008698
REL LEVEL: Released	B
DRAWING NO	REV
30008698	C
SHEET 2 OF 2	

