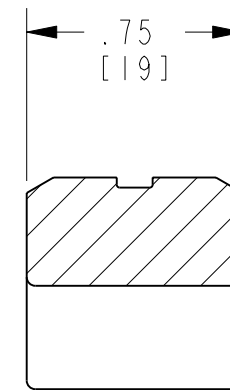
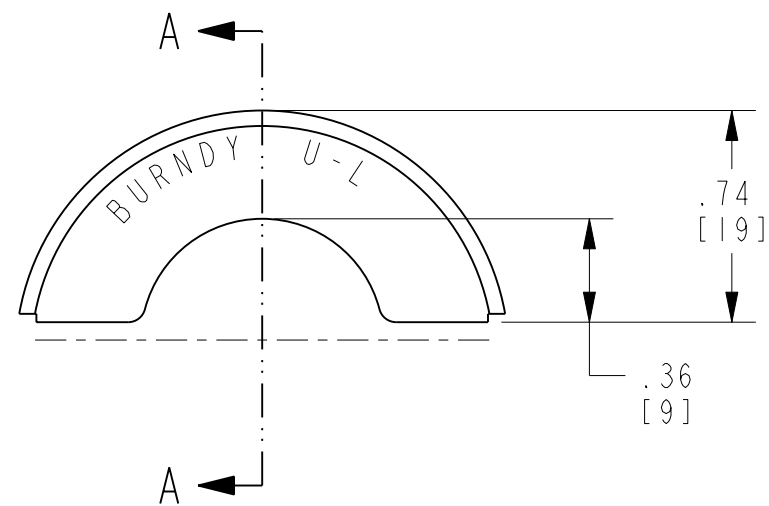
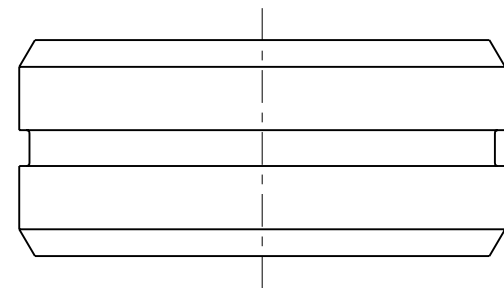
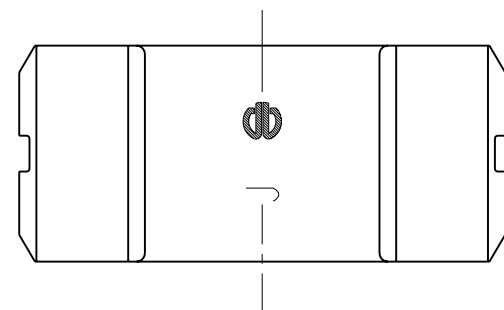
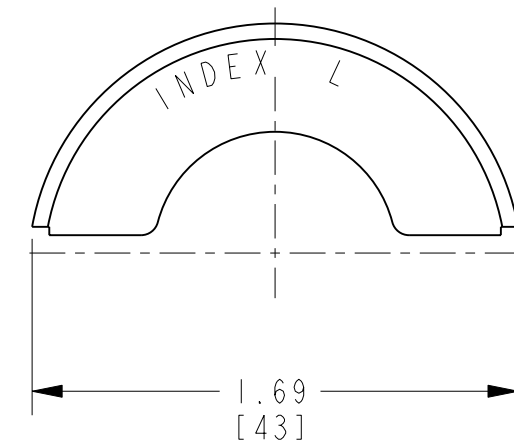


REV.	DATE	DESCRIPTION	ECO	BY	C'H'K.
A	12/11/2010 12:00:00 AM	NEW SALES DRAWING CREATED	22829	JG	BSK



SECTION A-A



NOTES:

1. MATERIAL: STAINLESS STEEL.
2. DIMENSIONS IN BRACKETS [] ARE IN MILLIMETERS ROUNDED OFF TO THE NEAREST MILLIMETER AND ARE FOR REFERENCE ONLY.
3. DIE INSPECTION GAGE CATALOG NUMBER (ENGINEERING AND CUSTOMER USE ONLY) : N/A.

TO ORDER BURNDY® PRODUCTS CALL		CIRCULAR NON-BUTTING TWIN DIES	
UNITED STATES:		ITEM NO: 420024	
1-800-346-4175 (LONDONDERRY, NH)		CAT. NO: UL	
CANADA:		DRAWN BY: JEYAGANESH S 12/01/2010	
1-800-361-6975 (QUEBEC)		CHECKER: P WASON 12/01/2010	
1-800-387-6487 (ALL OTHER PROVINCES)		DSN APPVL: P WASON 12/01/2010	
FOR PRODUCT INFO: http://www.burndy.com		MFG APPVL: --	
		QA APPVL: J BRODEUR 12/01/2010	
		MKT APPVL: R POIRIER 12/02/2010	
		PROD FAM: Tools_Hydraulic/u_die	
		PROJECT #: --	
		DOCUMENT TYPE: Sales	
		REL LEVEL: Released	
		SCALE: 3:2	
		DRAWING NO	
		30008699	
		REV	
		A	
		SHEET 1 OF 1	

REV: PE0200