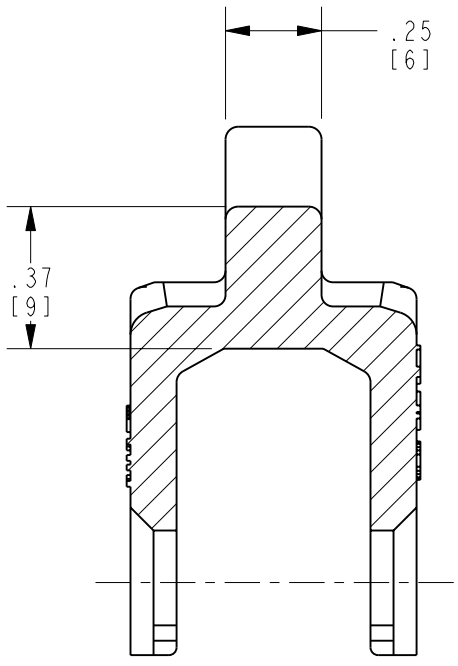
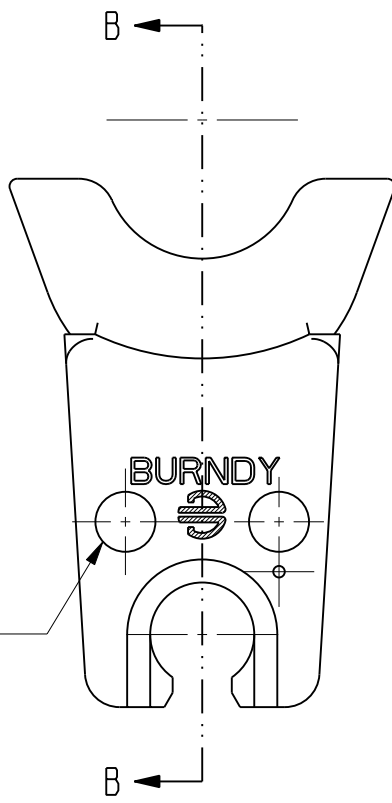
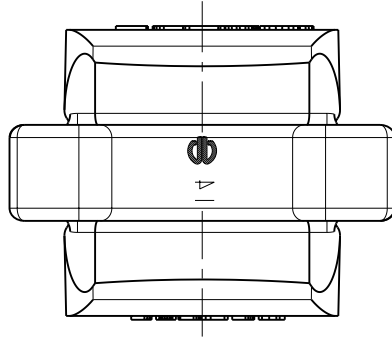
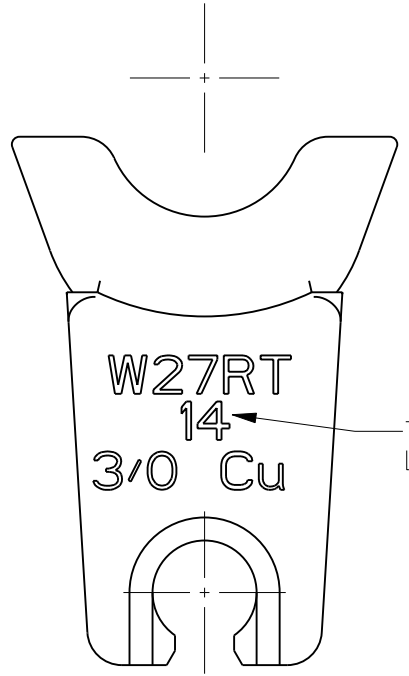


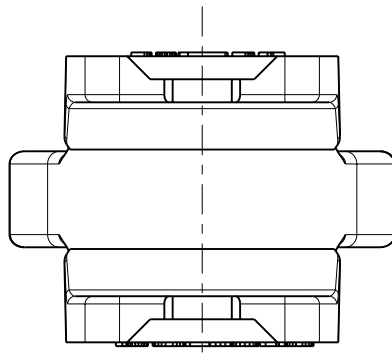
REV.	DATE	DESCRIPTION	ECO	BY	C'H'K.
C	03/16/2015 16:40:00 PM	UPDATED AS PER MARKUP	37640	MG	RM



SECTION B-B



TYPICAL LETTERING



NOTES:

1. DIMENSIONS IN BRACKETS [] ARE IN MILLIMETERS ROUNDED OFF TO THE NEAREST MILLIMETER, UNLESS OTHERWISE SPECIFIED, AND ARE FOR REFERENCE ONLY.
2. MATERIAL: STAINLESS STEEL.
3. DIE SET CATALOG NUMBER W27RT TO CONTAIN TWO (2) DIE HALVES.
4. DIE GAGE CAT NO. WPG14

TO ORDER BURNDY® PRODUCTS CALL
 UNITED STATES:
 1-800-346-4175 (LONDONDERRY, NH)
 CANADA:
 1-800-361-6975 (QUEBEC)
 1-800-387-6487 (ALL OTHER PROVINCES)
 FOR PRODUCT INFO: <http://www.burndy.com>

W-DIES		SCALE: 1:1
ITEM NO: 464292		BURNDY
CAT. NO: W27RT		
DRAWN BY: I. ANBALAGAN	12/03/10	DRAWING NO: 30008703
CHECKER: P. WASON	12/03/10	
DSN APPVL: P. WASON	12/02/10	REV: C
MFG APPVL: --	--	
QA APPVL: J. BRODEUR	12/03/10	SHEET 1 OF 1
MKT APPVL: R. POIRIER	12/06/10	
PROD FAM: TOOLS-MECH./W-DIES	SIZE: B	
PROJECT #: --		
DOCUMENT TYPE: Sales		
REL LEVEL: Released		

REV: PE0200