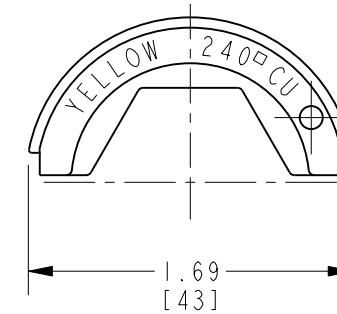
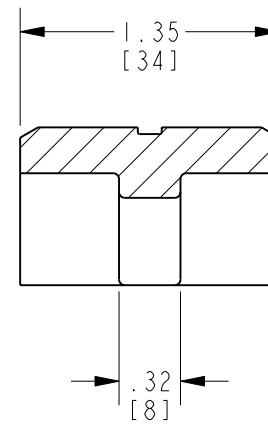
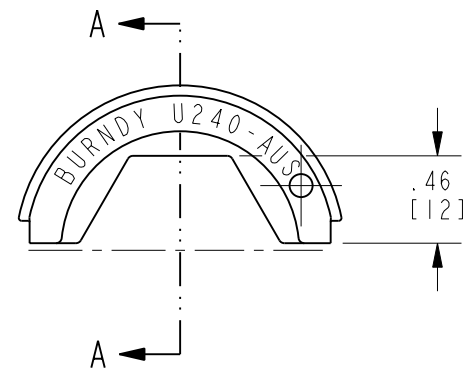
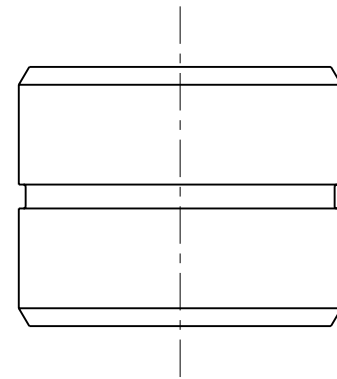
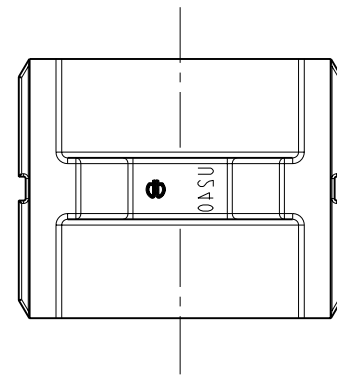


REV.	DATE	DESCRIPTION	ECO	BY	C'H'K.
A	12/11/2010 1:00:00 AM	CREATE NEW SALES DRAWING	22910	1A	MR



SECTION A-A



NOTES:

1. MATERIAL: STAINLESS STEEL.
2. DIMENSIONS IN BRACKETS [] ARE IN MILLIMETERS ROUNDED OFF TO THE NEAREST MILLIMETER, UNLESS OTHERWISE SPECIFIED, AND ARE FOR REFERENCE ONLY.
3. DIE INSPECTION GAGE CATALOG NUMBER (ENGINEERING AND CUSTOMER USE ONLY) : N/A.

TO ORDER BURNDY® PRODUCTS CALL
 UNITED STATES:
 1-800-346-4175 (LONDONDERRY, NH)
 CANADA:
 1-800-361-6975 (QUEBEC)
 1-800-387-6487 (ALL OTHER PROVINCES)
 FOR PRODUCT INFO: <http://www.burndy.com>

HEXAGONAL BUTTING TWIN DIES			
ITEM NO: 420331			
CAT. NO: U240AUS			
DRAWN BY: I. ANBALAGAN	12/11/10		
CHECKER: P. WASON	12/13/10		
DSN APPVL: P. WASON	12/13/10		
MFG APPVL: --	--		
QA APPVL: J. BRODEUR	12/22/10		
MKT APPVL: R. POIRIER	12/15/10	SCALE: 1:1	
PROD FAM: TOOLS-HYDRAULIC-U DIES		DRAWING NO	REV
PROJECT #: --	SIZE	30009438	A
DOCUMENT TYPE: Sales	B	SHEET 1 OF 1	
REL LEVEL: Released			

REV: PE0200