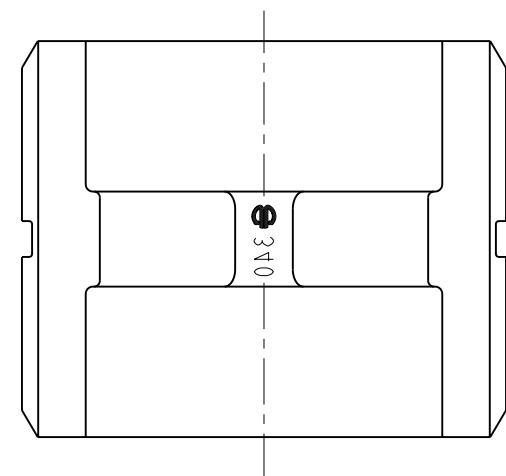
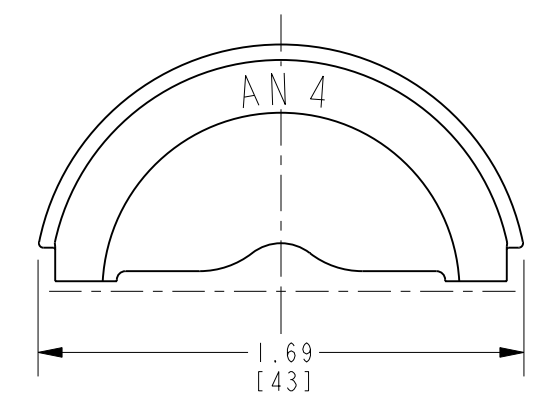
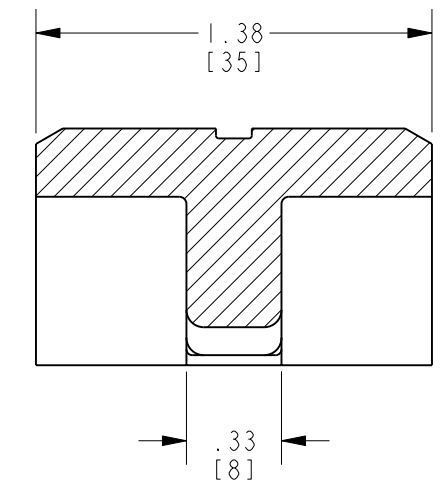
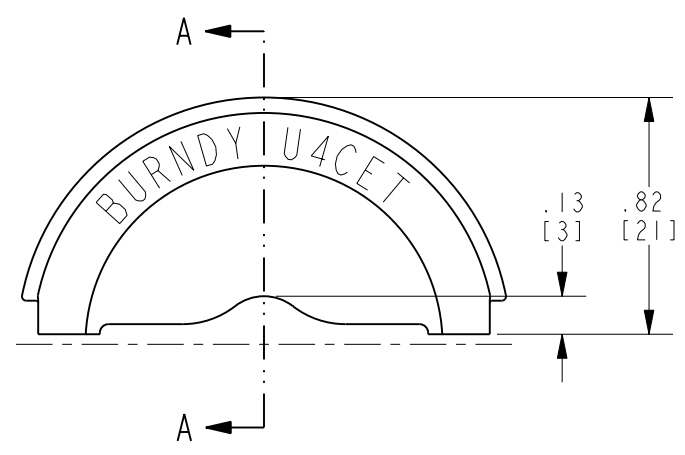
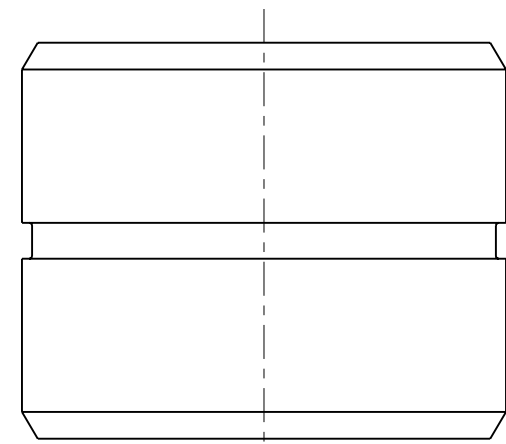


REV.	DATE	DESCRIPTION	ECO	BY	C'H'K.
A	12/16/2010 12:00:00 PM	NEW SALES DRAWING RELEASE	22938	RM	JG



- NOTES:
1. MATERIAL: STAINLESS STEEL.
 2. DIMENSIONS IN BRACKETS [] ARE IN MILLIMETERS, ROUNDED OFF TO THE NEAREST MILLIMETER, UNLESS OTHERWISE SPECIFIED. METRIC DIMENSIONS ARE FOR REFERENCE ONLY.
 3. DIE INSPECTION GAGE CATALOG NUMBER: UPG-340 (SOLD SEPARATELY)

TO ORDER BURNDY® PRODUCTS CALL		CIRCULAR BUTTING TWIN DIES	
UNITED STATES: 1-800-346-4175 (LONDONDERRY, NH)		ITEM NO: 421126	
CANADA: 1-800-361-6975 (QUEBEC) 1-800-387-6487 (ALL OTHER PROVINCES)		CAT. NO: U4CET	
FOR PRODUCT INFO: http://www.burndy.com		DRAWN BY: R. MURUGESAN 12/16/10	
		CHECKER: --	
		DSN APPVL: --	
		MFG APPVL: --	
		QA APPVL: --	
		MKT APPVL: --	
		SCALE: 3:2	
		PROD FAM: PROCESS/LITTLETON	
		DRAWING NO	
		REV	
		PROJECT #: --	
		SIZE	
		DRAWING NO	
		30009439	
		REV	
		A	
		DOCUMENT TYPE: Sales	
		REL LEVEL: Released	
		SHEET 1 OF 1	

REV: PE0200