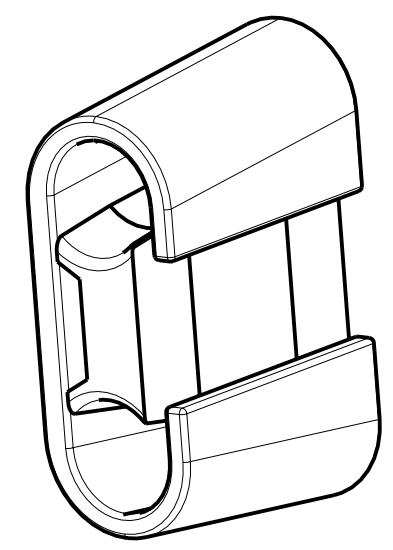
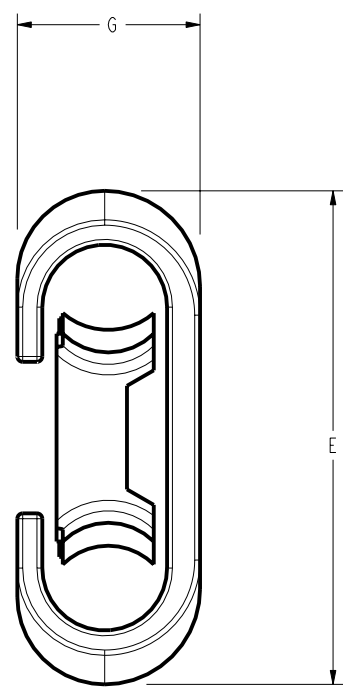
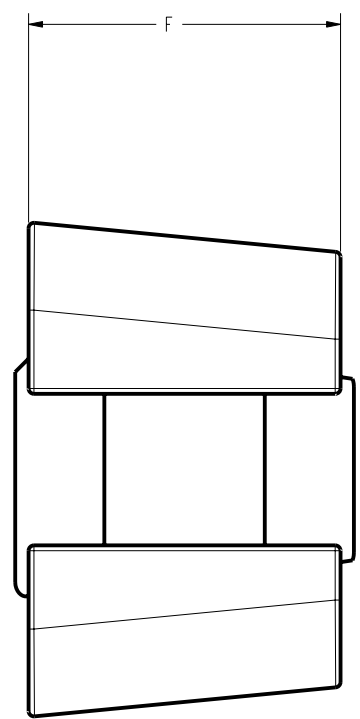


DRAWING NO.  
30009936

CATALOG NUMBER	ITEM NUMBER	DIMENSIONS			RUN	TAP	TOOLING	INSTALLATION BOOSTER COLOR
		E	F	G				
WCY121	001476	5.7 [145]	3.5 [89]	2.0 [51]	ACSR 1272	ACSR 1272	WTHY-1S	YELLOW

REV	DATE	DESCRIPTION	ECO	BY	C'H'K.
A	2/15/2011 10:00:00 PM	NEW SALES DRAWING RELEASED	23199	BSB	MA



NOTES:

1. MATERIAL: HIGH ALUMINUM ALLOY.
2. CONDUCTOR GROOVES PREFILLED WITH PENETROX™ CAT. NO. PENAI3.
3. CONNECTOR IS INDIVIDUALLY PACKAGED IN POLY BAGS AND INCLUDES WEDGE AND C-BODY. (BOOSTER NOT INCLUDED)

TO ORDER BURNDY® PRODUCTS CALL  
 UNITED STATES  
 1-800-346-4175 (LONDONDERRY, NH)  
 CANADA:  
 1-800-361-6975 (QUEBEC)  
 1-800-387-6487 (ALL OTHER PROVINCES)  
 FOR PRODUCT INFO: <http://www.burndy.com>

ALUMINUM WEJTAP™	
ITEM NO:	--
CAT. NO:	WCY- (TABLE)
DRAWN BY:	B SURESH BABU02/15/11
CHECKER:	P CHAN 01/19/11
DSN APPVL:	P CHAN 01/19/11
MFG APPVL:	--
QA APPVL:	J BRODEUR 01/24/11
MKT APPVL:	B CRUTCHER 01/21/11
PROD FAM:	WEJTAP
PROJECT #:	--
DOCUMENT TYPE:	Sales
REL LEVEL:	Released
DRAWING NO	30009936
SCALE:	1:1
SHEET	1 OF 1

REV: PE0200