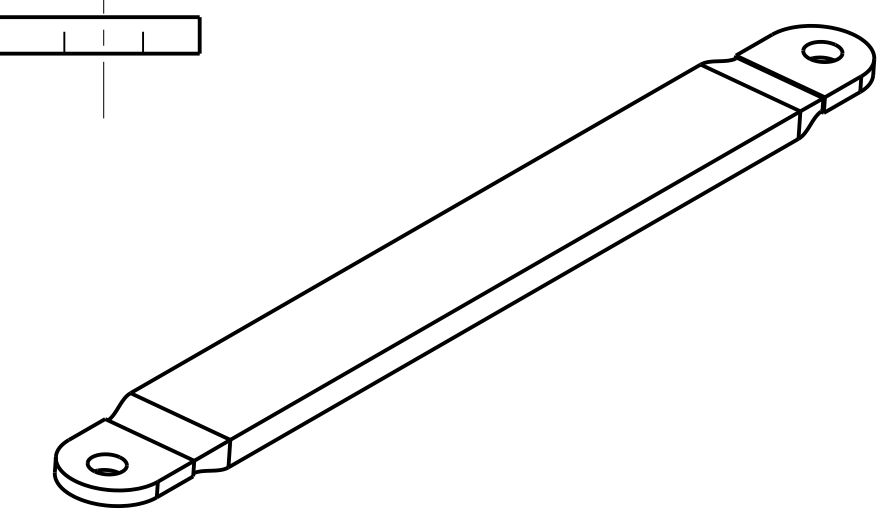
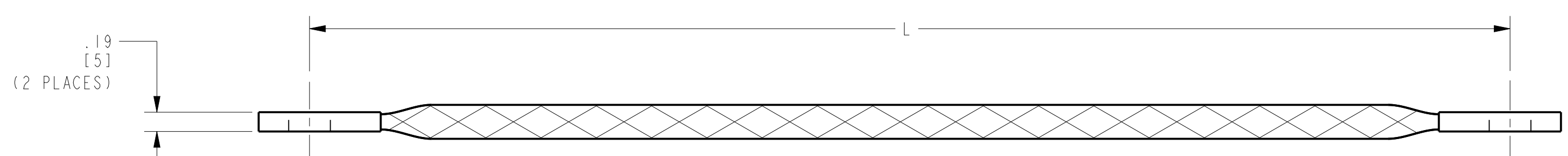
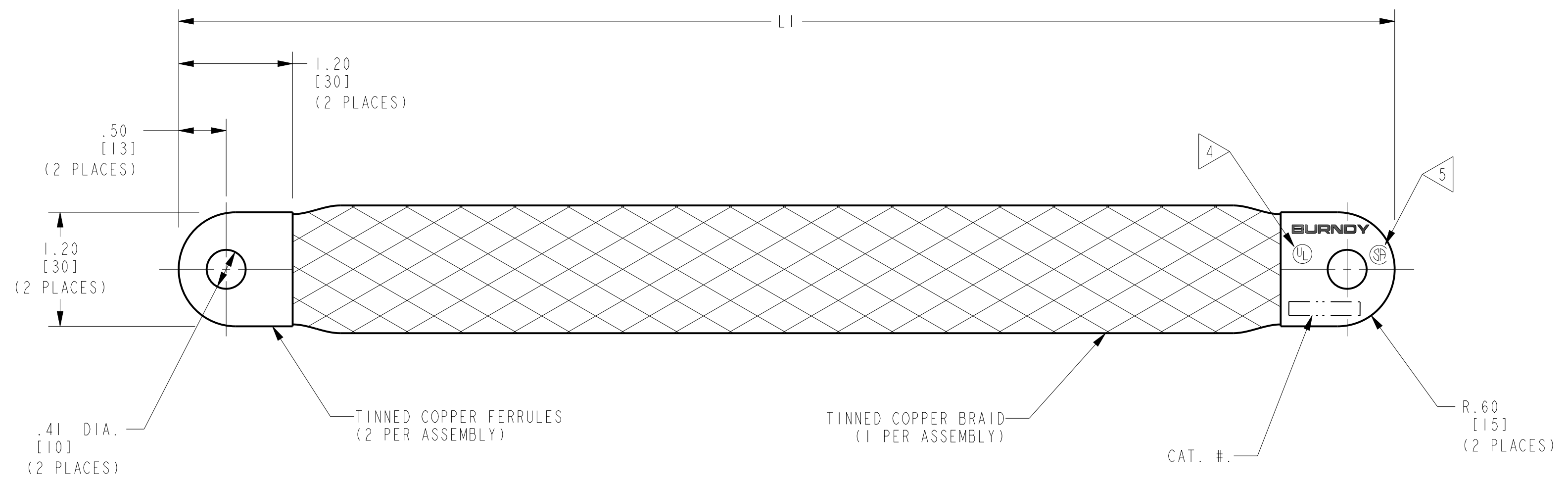


DRAWING NO. 30010218				
PT. NO.	ITEM NO.	CATALOG NO.	LI	L
1	10108521	BE12D80G169TN	12.80 [325]	11.80 [300]
2	30006127	BE18D70G169TN	18.70 [475]	17.72 [450]
3	30006128	BE32D50G169TN	32.50 [825]	31.50 [800]
4	30006129	BE60G169TN	60.00 [1524]	59.00 [1499]

REV	DATE	DESCRIPTION	ECO	BY	C'H'K.
B	06/06/2013 05:30:00 AM	REACTIVATE 10108521 AND OBSOLETE 30006126	31873	PM	MB



- NOTES:
- DIMENSIONS IN BRACKETS [] ARE IN MILLIMETERS ROUNDED OFF TO THE NEAREST MILLIMETER, UNLESS OTHERWISE SPECIFIED, AND ARE FOR REFERENCE ONLY.
 - FINISH: HOT TIN DIPPED.
 - APPROXIMATE AMP RATING: 340A INDOOR, 405A OUTDOOR
THIS MAY VARY WITH AMBIENT CONDITIONS, ORIENTATION OF THE BRAID AND OTHER SERVICE CONDITIONS.
- 4 ALL SIZES ARE LISTED TO UL467 GROUNDING & BONDING EQUIPMENT STANDARDS.
- 5 ALL SIZES ARE LISTED TO CSA C22.2 NO.41 GROUNDING & BONDING EQUIPMENT STANDARDS.

TO ORDER BURNDY® PRODUCTS CALL
 UNITED STATES:
 1-800-346-4175 (LONDONDERRY, NH)
 CANADA:
 1-800-361-6975 (QUEBEC)
 1-800-387-6487 (ALL OTHER PROVINCES)
 FOR PRODUCT INFO: <http://www.burndy.com>

BRAID	
ITEM NO:	SEE TABLE
CAT. NO:	SEE TABLE
DRAWN BY:	AUGUSTIN.S 01/07/11
CHECKER:	E.MARTIN 01/24/11
DSN APPVL:	E.MARTIN 01/24/11
MFG APPVL:	O.GUALBERTO 01/25/11
QA APPVL:	C.ACKERMAN 01/24/11
MKT APPVL:	-- --
PROD FAM:	MECHANICAL GROUNDING
PROJECT #:	--
DOCUMENT TYPE:	Sales
REL LEVEL:	Released
SCALE:	1:1
DRAWING NO:	30010218
REV:	B
SIZE:	C
SHEET 1 OF 1	



REV: PE0200