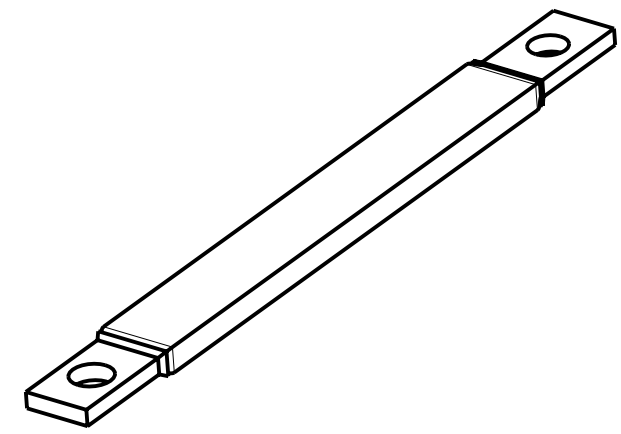
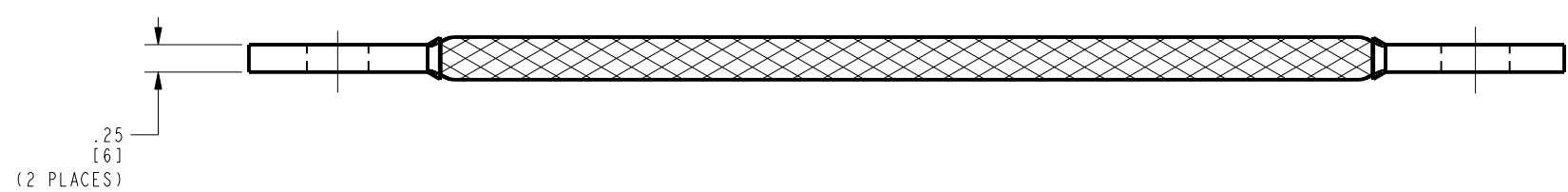
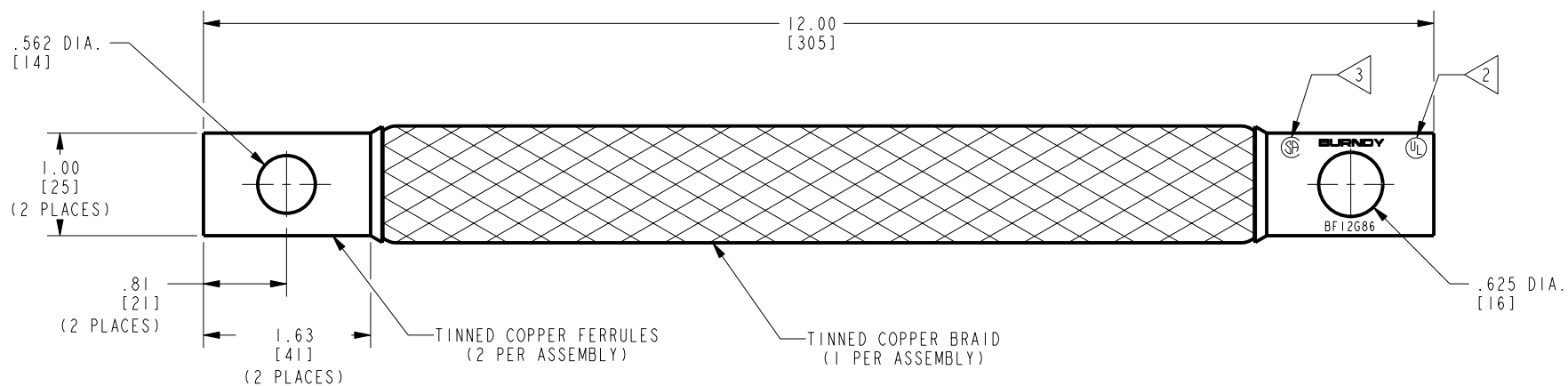


DRAWING NO.
30011784

REV	DATE	DESCRIPTION	ECO	BY	C'H'K.
A	3/3/2011 12:00:00 AM	UPDATED AS PER ECO MARKUP	23313	DR	JG



NOTES:

- DIMENSIONS IN BRACKETS [] ARE IN MILLIMETERS ROUNDED OFF TO THE NEAREST MILLIMETER, UNLESS OTHERWISE NOTED, AND ARE FOR REFERENCE ONLY.
- ALL SIZES ARE LISTED TO UL 467 GROUNDING AND BONDING EQUIPMENT STANDARDS.
- ALL SIZES ARE LISTED TO CSA 22.2 NO.41 GROUNDING AND BONDING EQUIPMENT STANDARDS.
- APPROX. AMP. RATING 360 A INDOOR, 430 A OUTDOOR. THIS MAY VARY WITH AMBIENT CONDITIONS, ORIENTATION OF THE BRAID AND OTHER CONDITIONS

TO ORDER BURNDY® PRODUCTS CALL
 UNITED STATES:
 1-800-346-4175 (LONDONDERRY, NH)
 CANADA:
 1-800-361-6975 (QUEBEC)
 1-800-387-6487 (ALL OTHER PROVINCES)
 FOR PRODUCT INFO: <http://www.burndy.com>

BRAID	
ITEM NO:	30006142
CAT. NO:	BF12G86
DRAWN BY:	T. SATHISH 1/29/2011
CHECKER:	E. MARTIN 2/24/2011
DSN APPVL:	E. MARTIN 2/24/2011
MFG APPVL:	O. GUALBERTO 3/01/2011
QA APPVL:	J. BRODEUR 2/24/2011
MKT APPVL:	P. THERRIEN 2/24/2011
SCALE:	1:1
PROD FAM:	--
PROJECT #:	--
DOCUMENT TYPE:	Sales
REL LEVEL:	Released
DRAWING NO:	30011784
REV:	A
SHEET 1 OF 1	

REV: PE0200