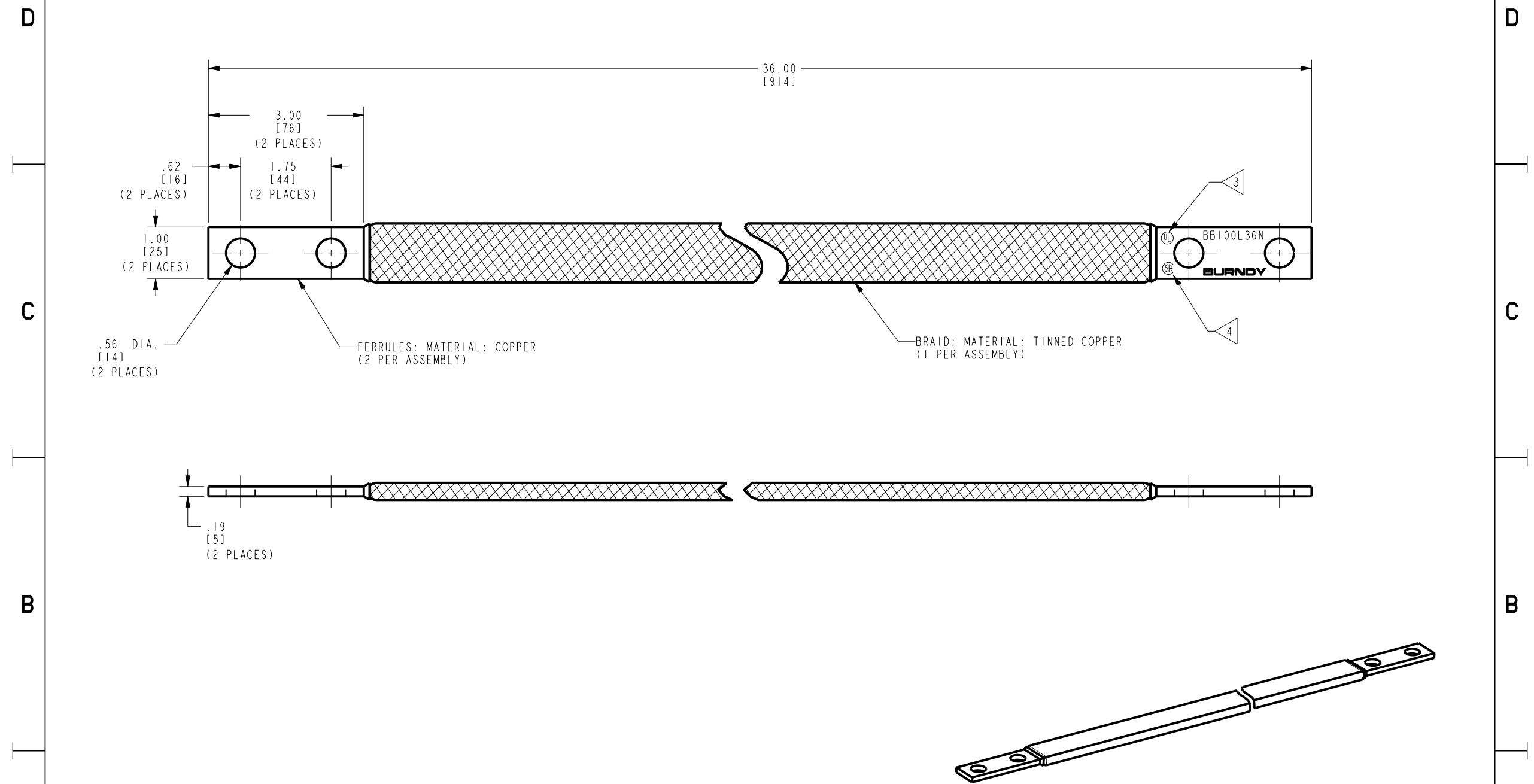


DRAWING NO.  
30012108

REV	DATE	DESCRIPTION	ECO	BY	C'H'K.
A	2/9/2011 12:00:00 AM	NEW DRAWING	23370	AD	MA



- NOTES:
- APPROXIMATE AMP. RATING: 290A THIS RATING MAY VARY WITH AMBIENT CONDITIONS, ORIENTATION OF THE BRAID, AND OTHER SERVICE CONDITIONS.
  - DIMENSIONS IN BRACKETS [ ] ARE IN MILLIMETERS ROUNDED OFF TO THE NEAREST MILLIMETER, UNLESS OTHERWISE NOTED, AND ARE FOR REFERENCE ONLY.
- 3 ALL SIZES ARE LISTED TO UL 467 GROUNDING & BONDING EQUIPMENT STANDARDS.
- 4 ALL SIZES ARE LISTED TO CSA C22.2 NO.41 GROUNDING & BONDING EQUIPMENT STANDARDS.

TO ORDER BURNDY® PRODUCTS CALL		BRAID, FLEXIBLE	
UNITED STATES: 1-800-346-4175 (LONDONDERRY, NH)		ITEM NO: 30006161	
CANADA: 1-800-361-6975 (QUEBEC) 1-800-387-6487 (ALL OTHER PROVINCES)		CAT. NO: BB100L36N	
FOR PRODUCT INFO: <a href="http://www.burndy.com">http://www.burndy.com</a>		DRAWN BY: S.AUGUSTIN 02/09/11	
		CHECKER: E.MARTIN 02/10/11	
		DSN APPVL: E.MARTIN 02/10/11	
		MFG APPVL: O.GUALBERTO 02/10/11	
		QA APPVL: J.BRODEUR 02/16/11	
		MKT APPVL: -- --	
		SCALE: 3:4	
		PROD FAM: MECHANICAL GROUNDING	
		DRAWING NO	
		30012108	
		REV	
		A	
		SHEET 1 OF 1	

REV: PE0200