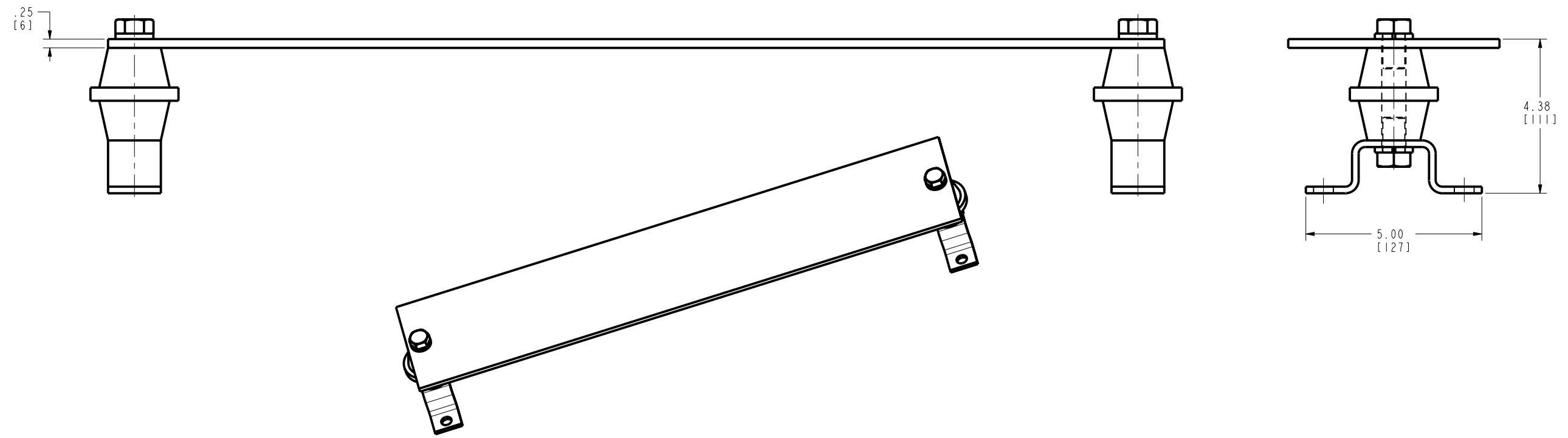
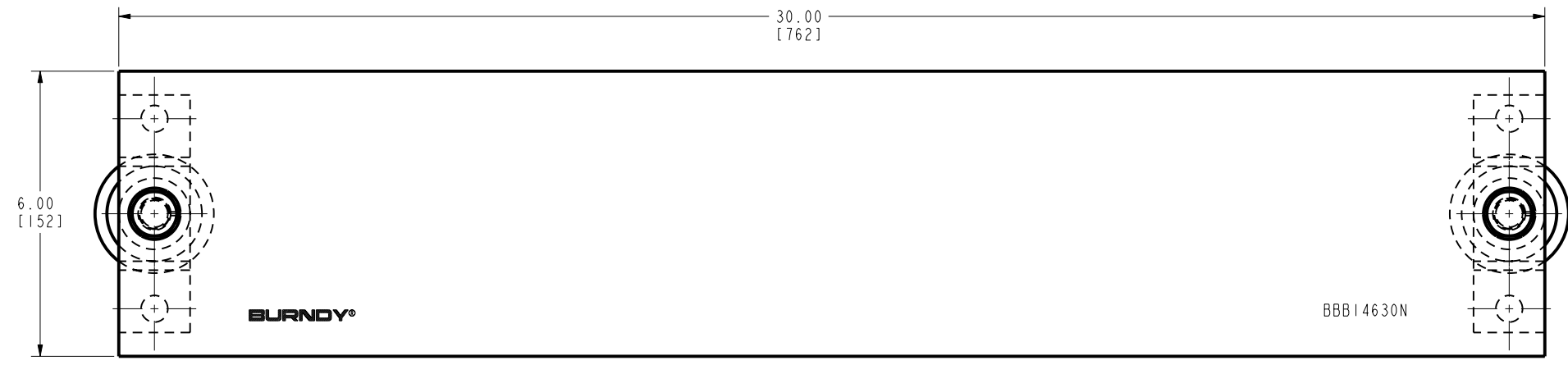


DRAWING NO.
30012723

REV	DATE	DESCRIPTION	ECO	BY	C'H'K.
A	2/24/2011 2:00:00 AM	CREATE SALES. DWG FOR CAT.# BBB14630N	23509	DK	MA



NOTES:

1. MATERIAL: BUSBAR-COPPER.
2. DIMENSIONS IN BRACKETS [] ARE IN MILLIMETERS, ROUNDED OFF TO THE NEAREST MILLIMETER, UNLESS OTHERWISE NOTED. METRIC DIMENSIONS ARE FOR REFERENCE ONLY.
3. THIS CATALOG NUMBER INCLUDES ONE BUSBAR, TWO INSULATORS, TWO MOUNTING BRACKETS, FOUR MOUNTING BOLTS AND FOUR LOCKWASHERS.

TO ORDER BURNDY® PRODUCTS CALL		BUSBAR	
UNITED STATES 1-800-346-4175 (LONDONDERRY, NH)		ITEM NO: 30006177	CAT. NO: BBB14630N
CANADA: 1-800-361-6975 (QUEBEC) 1-800-387-6487 (ALL OTHER PROVINCES)		DRAWN BY: N.D.KANNAN 02/24/2011	CHECKER: --
FOR PRODUCT INFO: http://www.burndy.com		DSN APPVL: --	MFG APPVL: --
		QA APPVL: --	MKT APPVL: --
		PROJ #:	SCALE: 7:8
		SIZE: D	DRAWING NO: 30012723
		DOCUMENT TYPE: Sales	REV: A
		REL LEVEL: Released	SHEET 1 OF 1

REV: PE0200