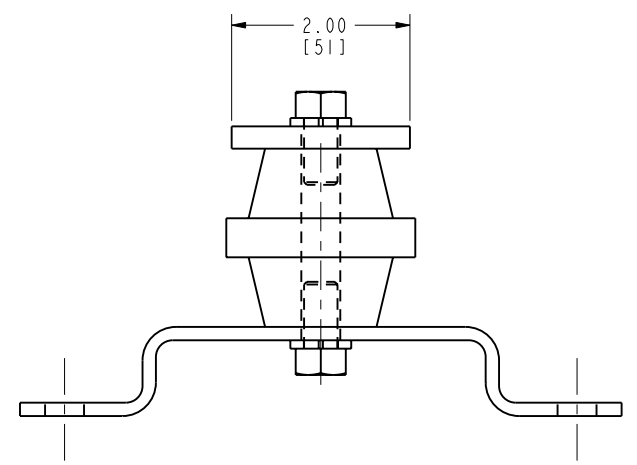
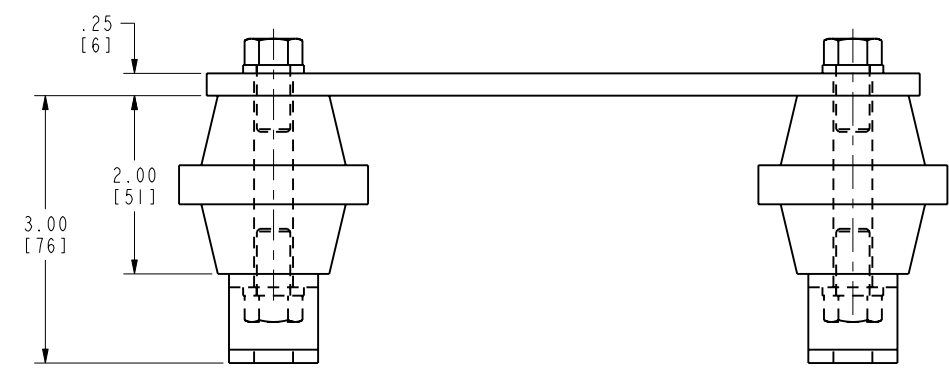
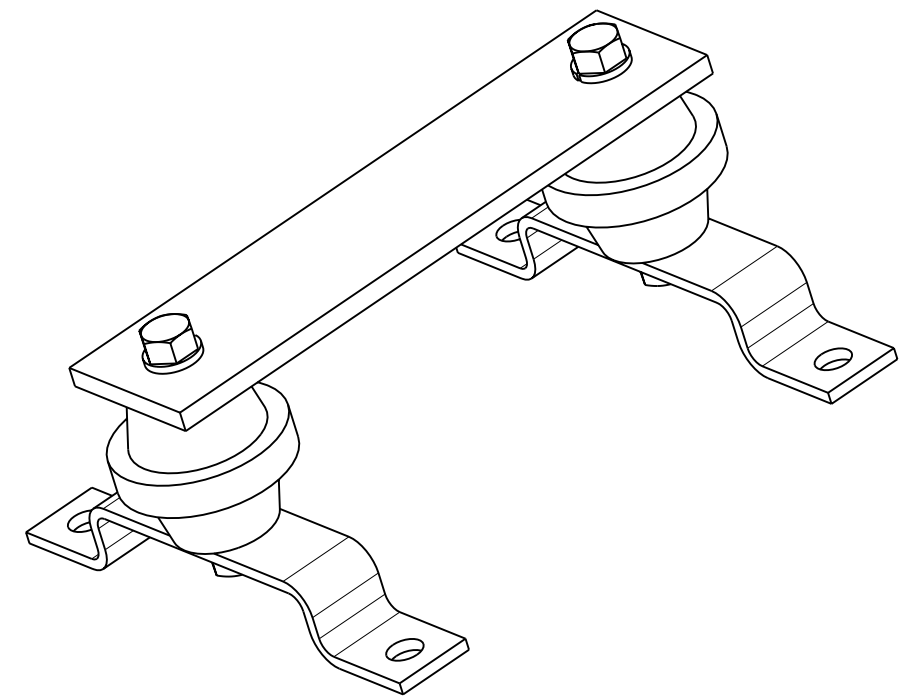
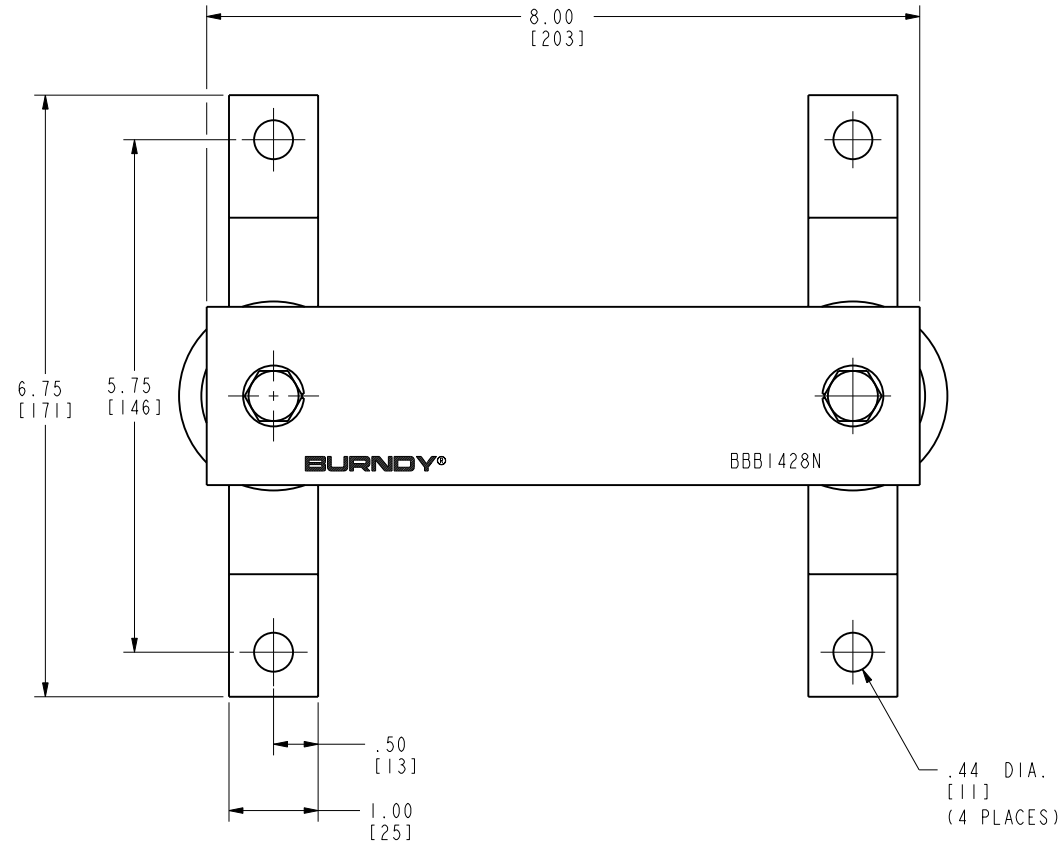


DRAWING NO.
30012875

REV	DATE	DESCRIPTION	ECO	BY	C'H'K.
A	3/2/2011 12:00:00 PM	NEW DRAWING RELEASED	23569	BSB	MA



- NOTES:
1. MATERIAL: BUS BAR - COPPER.
 2. DIMENSIONS IN BRACKETS [] ARE IN MILLIMETERS ROUNDED OFF TO THE NEAREST MILLIMETER, UNLESS OTHERWISE NOTED, AND ARE FOR REFERENCE ONLY.
 3. THIS CATALOG NO INCLUDES ONE BUS BAR, TWO INSULATORS, TWO MOUNTING BRACKETS, FOUR MOUNTING BOLTS AND FOUR LOCK WASHERS.

TO ORDER BURNDY® PRODUCTS CALL		BUS BAR KIT	
UNITED STATES 1-800-346-4175 (LONDONDERRY, NH)		ITEM NO: 30006190	CAT. NO: BBB1428N
CANADA: 1-800-361-6975 (QUEBEC) 1-800-387-6487 (ALL OTHER PROVINCES)		DRAWN BY: B SURESH BABU 03/02/11	CHECKER: K BOUTIN 06/09/11
FOR PRODUCT INFO: http://www.burndy.com		DSN APPVL: K BOUTIN 06/09/11	MFG APPVL: P KEENAN 06/09/11
		QA APPVL: C ACKERMAN 06/13/11	MKT APPVL: K ROBICHEAU 06/09/11
		PROD FAM: Mechanical Grounding	SCALE: 1:1
		PROJECT #: --	SIZE: D
		DOCUMENT TYPE: Sales	DRAWING NO: 30012875
		REL LEVEL: Released	REV: A
			SHEET 1 OF 1

REV: PE0200