

DRAWING NO.  
30013013

4

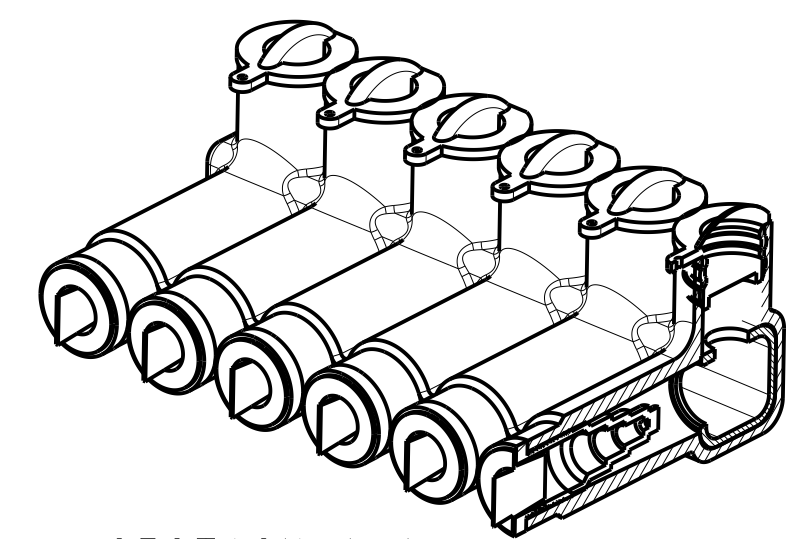
3

2

1

CATALOG NO.	ITEM NUMBER	WIRE RANGE	L1	H	W	L2	NUMBER OF PORTS	MARKING TYPE
BIBS3502DB	30009899	350 Kcmil - 12 AWG STR 185mm <sup>2</sup> - 4mm <sup>2</sup>	2.30 [58]	2.46 [62]	4.06 [103]	2.61 [66]	2	1
BIBS3503DB	30009900		3.51 [89]			3.82 [97]	3	1
BIBS3504DB	30009901		4.72 [120]			5.03 [128]	4	2
BIBS3505DB	30009902		5.93 [151]			6.24 [158]	5	1
BIBS3506DB	30009903		7.14 [181]			7.45 [189]	6	2

REV	DATE	DESCRIPTION	ECO	BY	C'HK.
E	2019-11-21 12:00:00 EDT	ADDED NOTE 12	52551	JL	TR



SECTION A-A

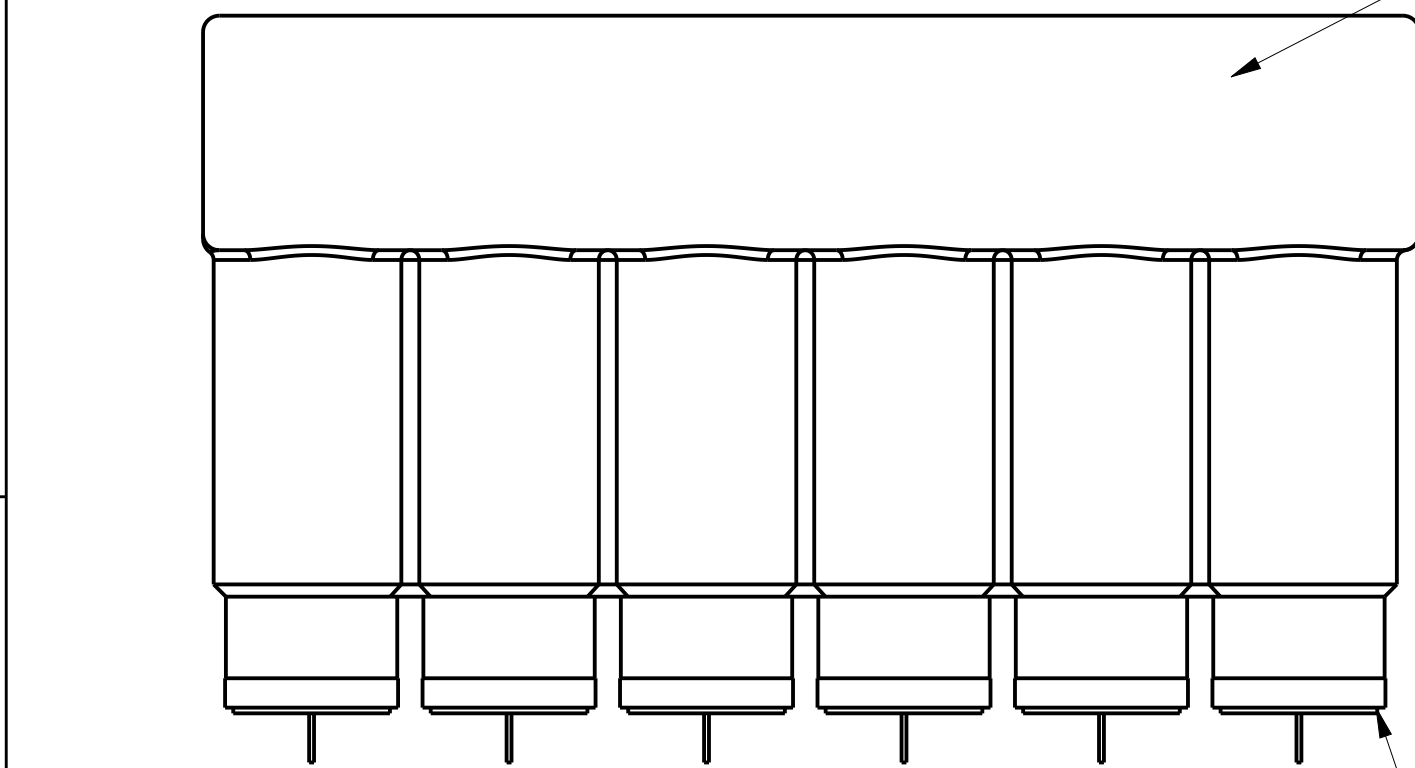
RECOMMENDED TORQUE VALUES FOR SET SCREW CONNECTORS

CONDUCTOR SIZE	RECOMMENDED TORQUE RANGE
#12 - 6 STR	125 - 150 IN-LBS (10-13 FT-LBS)
#4 - 3/0 STR	180 - 240 IN-LBS (15-20 FT-LBS)
4/0 - 350 STR	275 - 450 IN-LBS (23-38 FT-LBS)
400 - 1000 STR	475 - 550 IN-LBS (40-46 FT-LBS)

600V DIRECT BURIAL STRIP LENGTH=1.125  
**BURNDY** 350kcmil-12 BIBS3502DB AL9CU

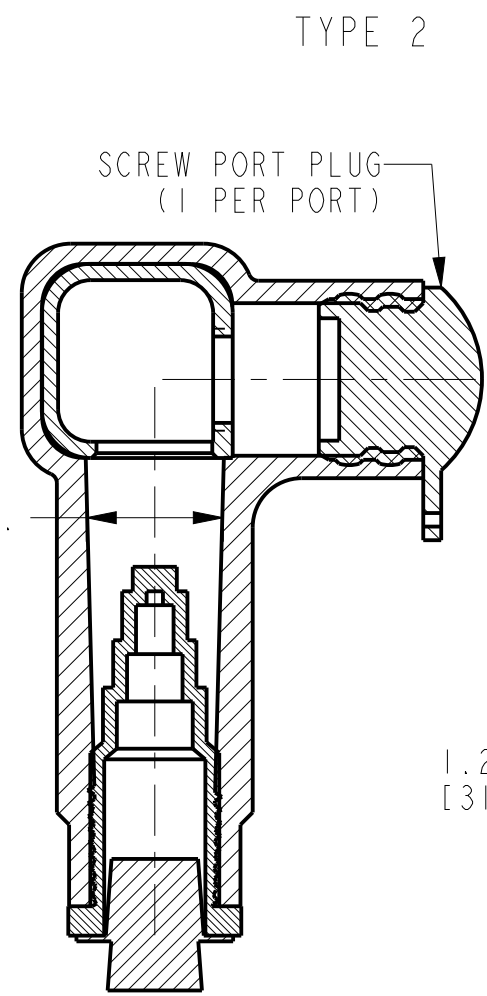
**BURNDY** BIBS3504DB 350 Kcmil-12 DIRECT BURIAL

STRIP LENGTH  
1.125 (28mm)



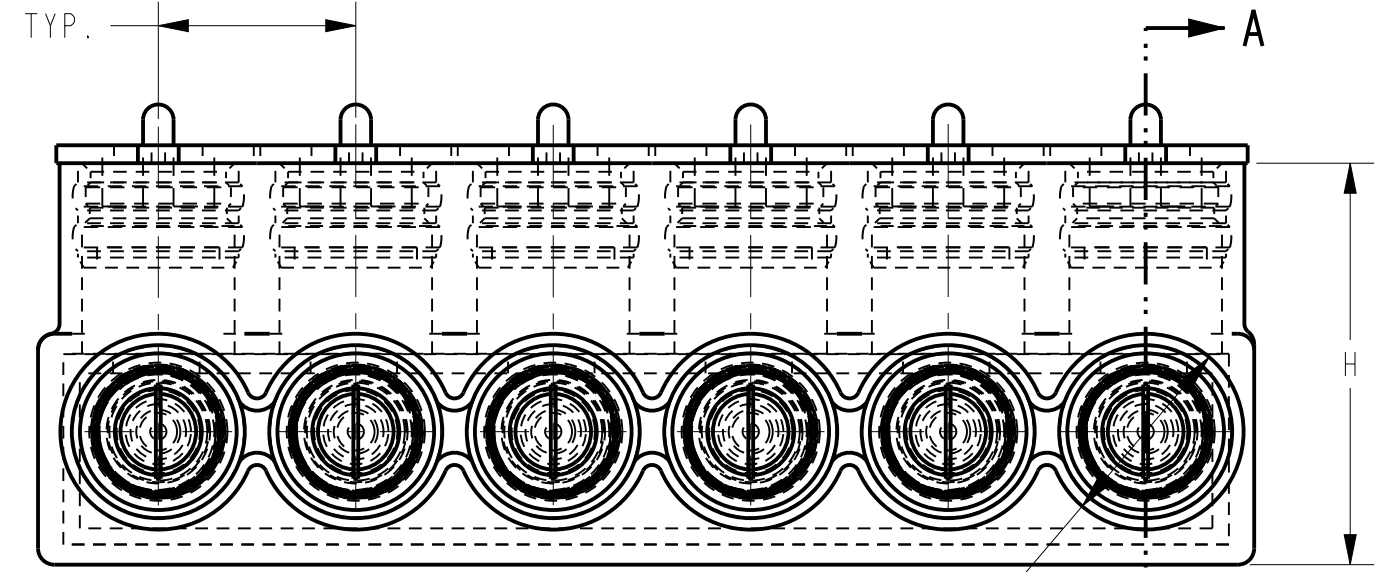
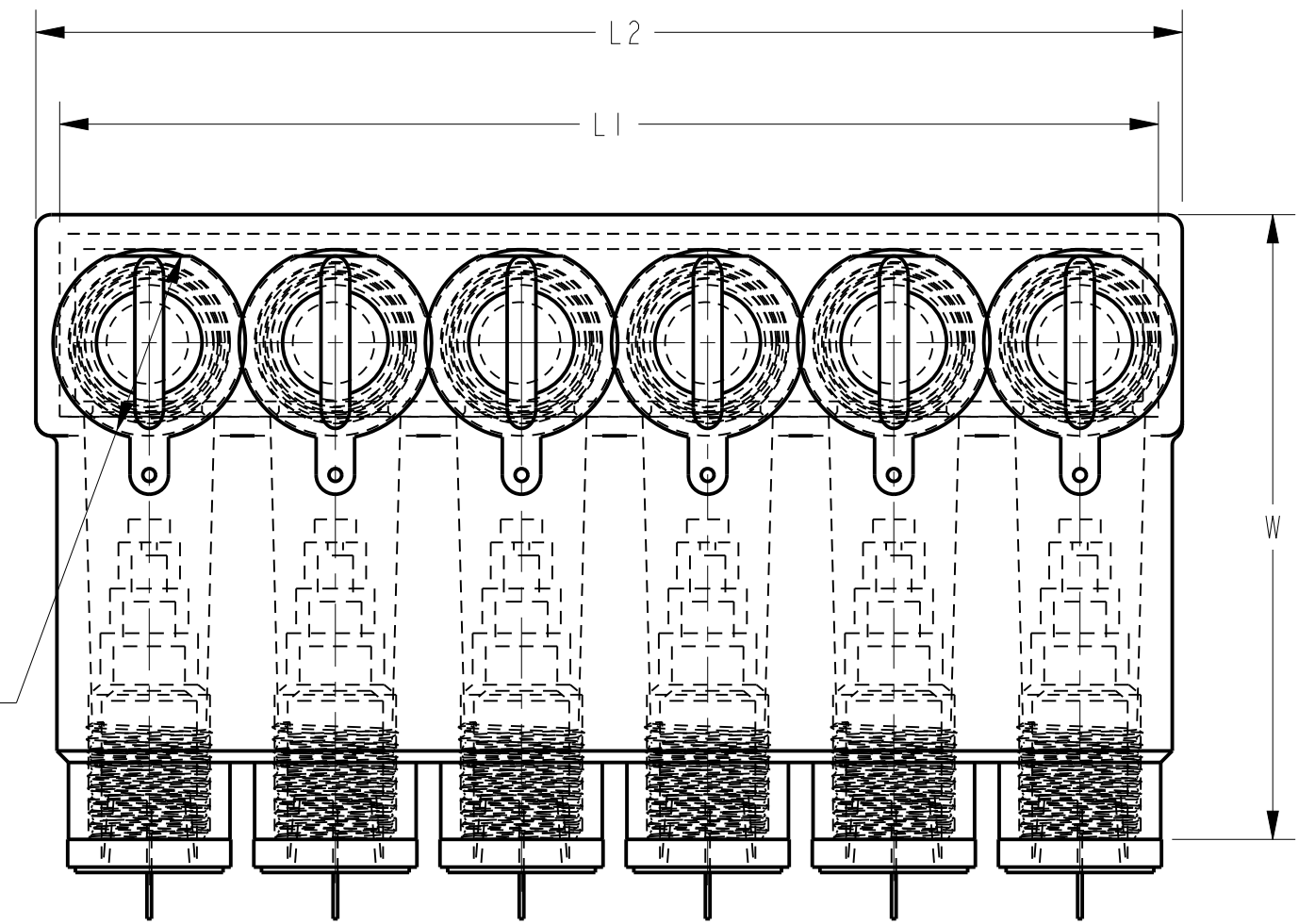
LETTERING VIEW

TYPE 1



SECTION A-A

TYPE 2



- NOTES:
- ENCAPSULATED IN EPDM RUBBER WITH A NOMINAL THICKNESS OF 125 MILS AND A DIELECTRIC STRENGTH OF 240 VOLTS PER MIL.
  - PRE-MARKED END INSERT ALLOWS BROAD WIRE RANGE.
  - O - RING DESIGN SCREW CAP INSERTS.
  - CONNECTOR IS PRODUCED FROM HIGH STRENGTH ALUMINUM ALLOY.
  - RATED FOR 600 VOLTS.
  - DUAL RATED FOR ALUMINUM AND COPPER CONDUCTOR™ SOLID, CLASS B OR CLASS C STRANDING.
  - UL 486D LISTED FOR DIRECT BURIAL AND SUBMERSIBLE. CSA CERTIFIED FOR DIRECT BURIAL.
  - CONNECTOR HAS SOLID WIRE STOP.
  - TUBE OF SILICONE LUBRICATION FOR CONDUCTOR INSERTION, CO-OXIDE INHIBITOR, AND INSTALLATION INSTRUCTIONS INCLUDED.
  - DIMENSIONS IN [ ] BRACKETS ARE IN MILLIMETERS, ROUNDED OFF TO THE NEAREST MILLIMETER, UNLESS OTHERWISE NOTED. METRIC DIMENSIONS ARE FOR REFERENCE ONLY.
  - PRODUCT MARKING APPROXIMATELY AS SHOWN. TYPE 1 OR 2, REFER TO TABLE.
  - FOR USE IN WET OR DRY LOCATIONS EXCLUDING FREEZING CONDITIONS; ENSURE PRODUCTS ARE INSTALLED BELOW FROST LINE (WHERE APPLICABLE WHEN USED IN WET CONDITIONS).

TO ORDER BURNDY® PRODUCTS CALL  
 UNITED STATES:  
 1-800-346-4175 (LONDONDERRY, NH)  
 CANADA:  
 1-800-361-6975 (QUEBEC)  
 1-800-387-6487 (ALL OTHER PROVINCES)  
 FOR PRODUCT INFO: <http://www.burndy.com>

DIRECT BURIAL UNITAP™	
ITEM NO:	SEE TABLE
CAT. NO:	BIBS350-SERIES (SEE TABLE)
DRAWN BY:	B SURESH BABU 03/11/11
CHECKER:	R.ROMAN 5/13/2011
DSN APPVL:	R.ROMAN 5/16/2011
MFG APPVL:	P.KEENAN 5/13/2011
QA APPVL:	C.KOWALCZYK 5/13/2011
MKT APPVL:	K.ROBICHEAU 5/13/2011
PROD FAM:	CM&R MECHANICAL
PROJECT #:	---
DOCUMENT TYPE:	Sales
REL LEVEL:	Released
SCALE:	1:1
DRAWING NO	30013013
REV	E
SHEET 1 OF 1	

4

3

2

1

REV: PE0200

