

DRAWING NO.
30013660

4

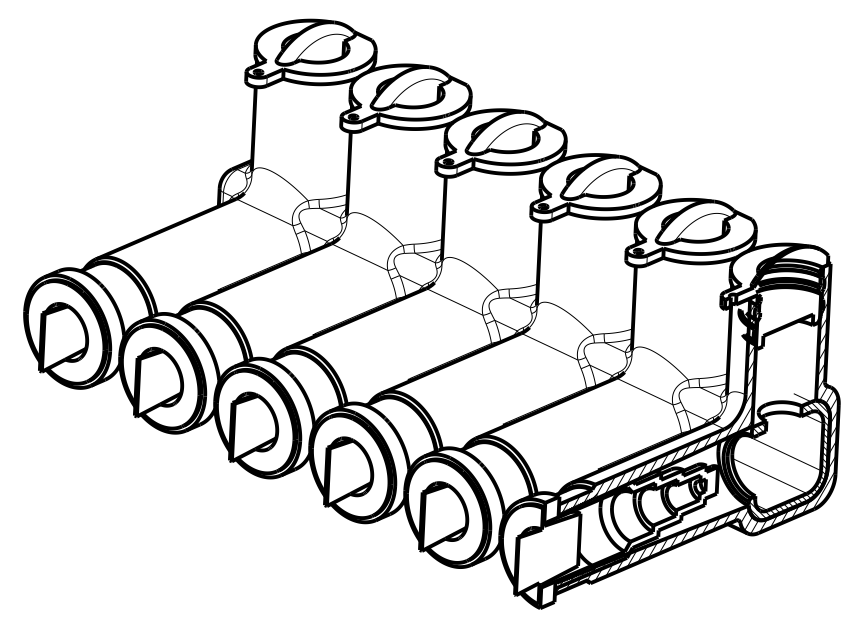
3

2

1

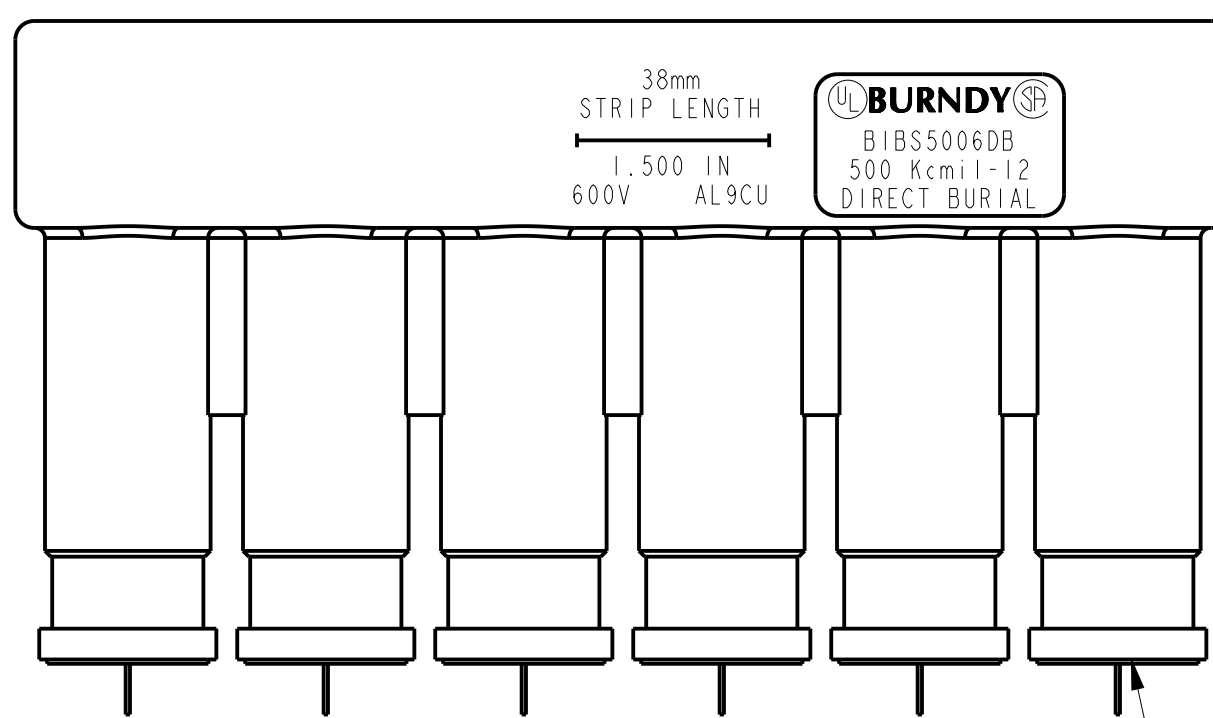
CATALOG NO.	ITEM NUMBER	WIRE RANGE	L1	H	W	L2	NUMBER OF PORTS
BIBS5003DB	30009904	500 Kcmil - 12 AWG STR 240mm ² - 4mm ²	4.00 [102]	3.13 [80]	4.58 [116]	4.31 [109]	3
BIBS5004DB	30009905		5.38 [137]			5.69 [145]	4
BIBS5005DB	30012512		6.75 [171]			7.06 [180]	5
BIBS5006DB	30012513		8.13 [206]			8.44 [214]	6

REV	DATE	DESCRIPTION	ECO	BY	C'K.
F	2019-11-21 11:00:00 EST	ADDED NOTE 11	52551	JL	TR

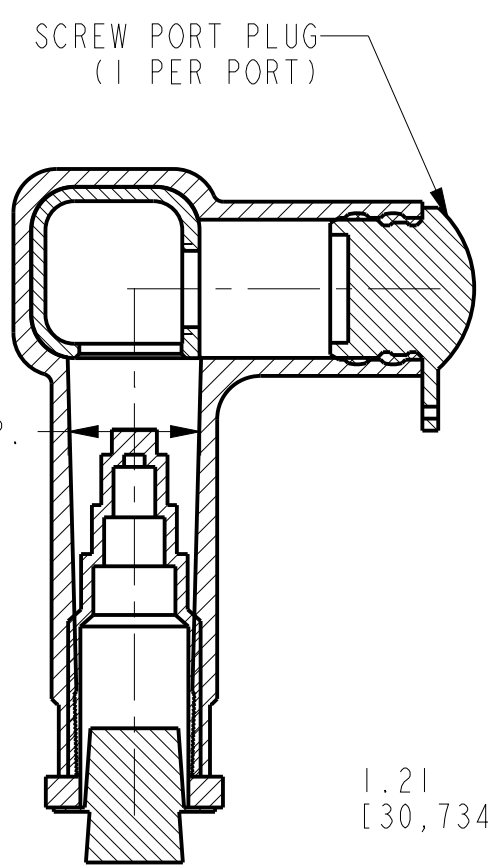


SECTION A-A

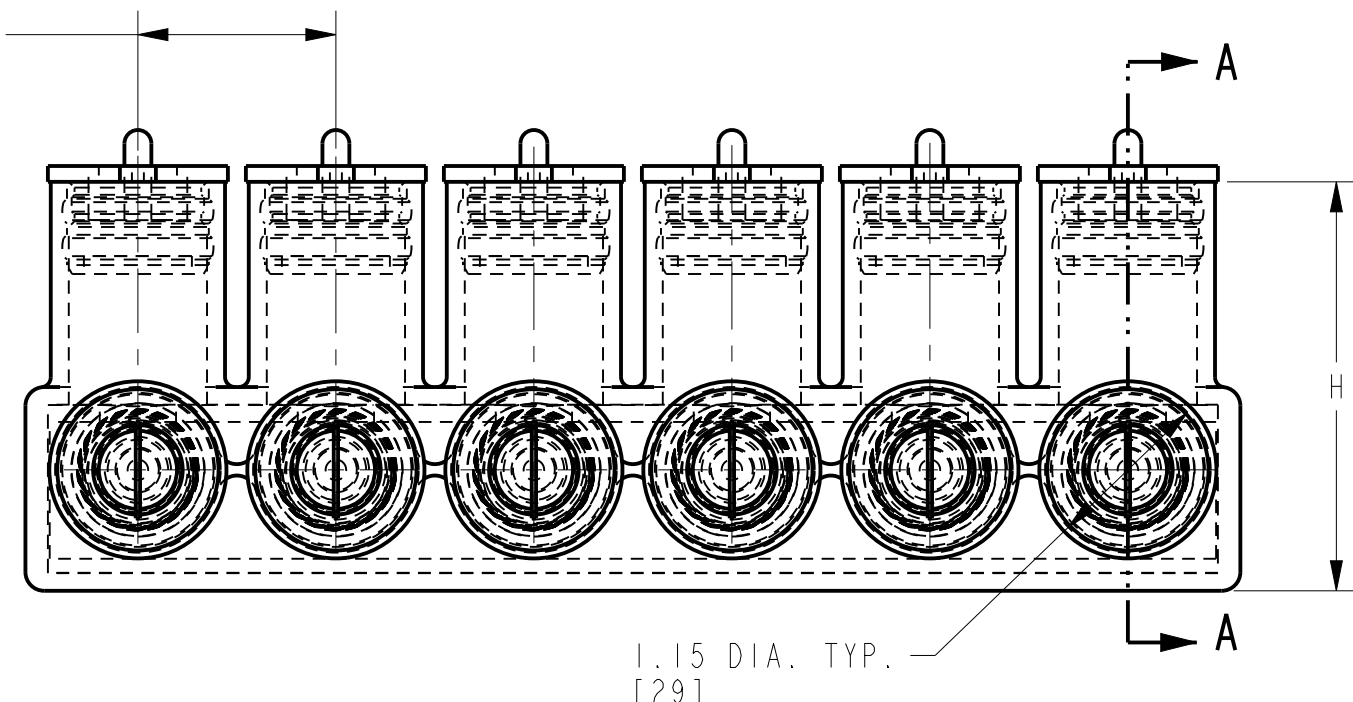
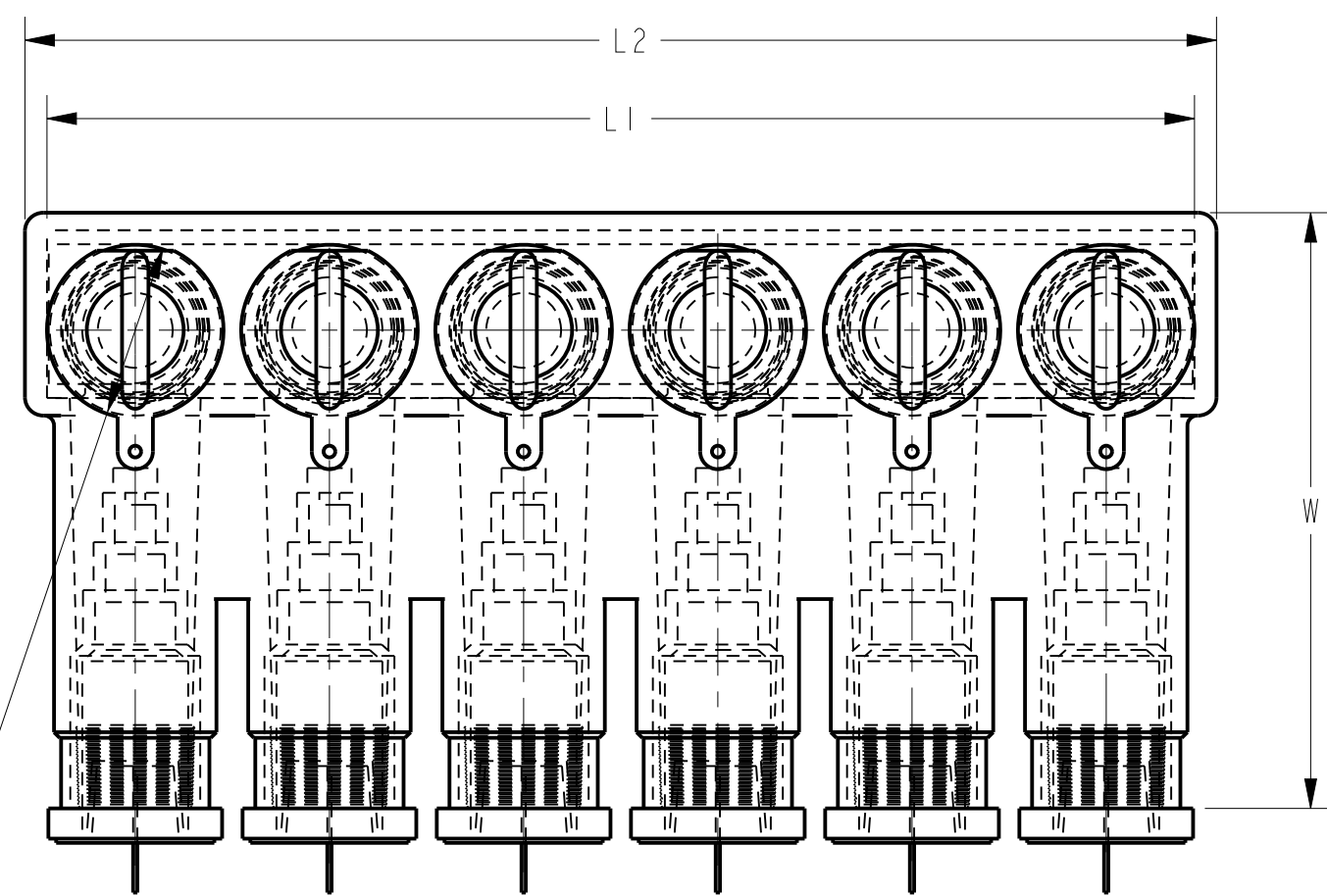
RECOMMENDED TORQUE VALUES FOR SET SCREW CONNECTORS	
CONDUCTOR SIZE	RECOMMENDED TORQUE RANGE
#12 - 6 STR	125 - 150 IN-LBS (10-13 FT-LBS)
#4 - 3/0 STR	180 - 240 IN-LBS (15-20 FT-LBS)
4/0 - 350 STR	275 - 450 IN-LBS (23-38 FT-LBS)
400 - 500 STR	475 - 550 IN-LBS (40-46 FT-LBS)



LETTERING VIEW



SECTION A-A



- NOTES:
- ENCAPSULATED IN EPDM RUBBER WITH A NOMINAL THICKNESS OF 125 MILS AND A DIELECTRIC STRENGTH OF 240 VOLTS PER MIL.
 - PRE-MARKED END INSERT ALLOWS BROAD WIRE RANGE.
 - O - RING DESIGN SCREW CAP INSERTS.
 - CONNECTOR IS PRODUCED FROM HIGH STRENGTH ALUMINUM ALLOY.
 - RATED FOR 600 VOLTS.
 - DUAL RATED FOR ALUMINUM AND COPPER CONDUCTOR™ SOLID, CLASS B OR CLASS C STRANDING.
 - UL 486D LISTED FOR DIRECT BURIAL AND SUBMERSIBLE. CSA CERTIFIED FOR DIRECT BURIAL.
 - CONNECTOR HAS SOLID WIRE STOP.
 - TUBE OF SILICONE LUBRICATION FOR CONDUCTOR INSERTION CO-OXIDE INHIBITOR, AND INSTALLATION INSTRUCTIONS INCLUDED.
 - DIMENSIONS IN [] BRACKETS ARE IN MILLIMETERS, ROUNDED OFF TO THE NEAREST MILLIMETER, UNLESS OTHERWISE NOTED. METRIC DIMENSIONS ARE FOR REFERENCE ONLY.
 - FOR USE IN WET OR DRY LOCATIONS EXCLUDING FREEZING CONDITIONS; ENSURE PRODUCTS ARE INSTALLED BELOW FROST LINE (WHERE APPLICABLE WHEN USED IN WET CONDITIONS).

TO ORDER BURNDY® PRODUCTS CALL		DIRECT BURIAL UNITAP™	
UNITED STATES: 1-800-346-4175 (LONDONDERRY, NH)		ITEM NO: SEE TABLE	CAT. NO: BIBS500-SERIES (SEE TABLE)
CANADA: 1-800-361-6975 (QUEBEC) 1-800-387-6487 (ALL OTHER PROVINCES)		DRAWN BY: B SURESH BABU 03/11/11	
FOR PRODUCT INFO: http://www.burndy.com		CHECKER: R.ROMAN 5/13/2011	DSN APPVL: R.ROMAN 5/16/2011
		MFG APPVL: P.KEENAN 5/13/2011	QA APPVL: C.KOWALCZYK 5/13/2011
		MKT APPVL: K.ROBICHEAU 5/13/2011	PROD FAM: CM&R MECHANICAL
		PROJECT #: --	SCALE: 7:8
		DOCUMENT TYPE: Sales	DRAWING NO: 30013660
		REL LEVEL: Released	REV: F
			SHEET 1 OF 1

4

3

2

1

REV: PE0200