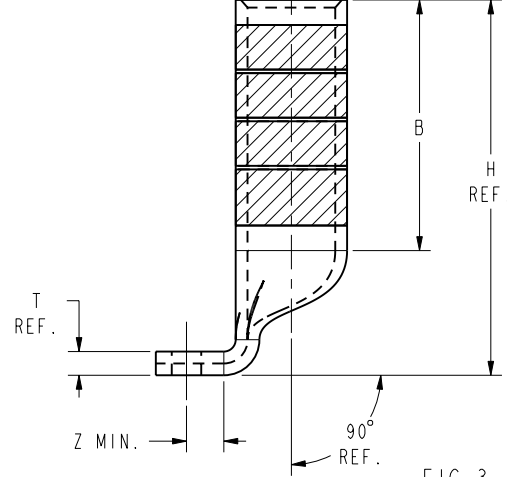
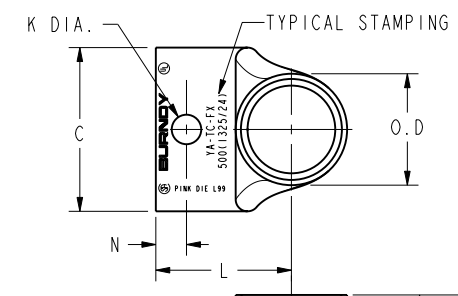
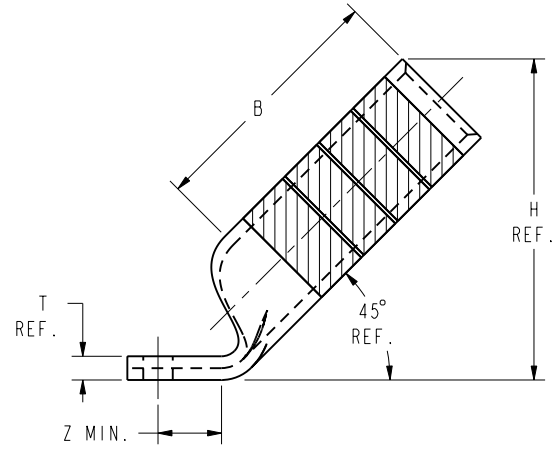
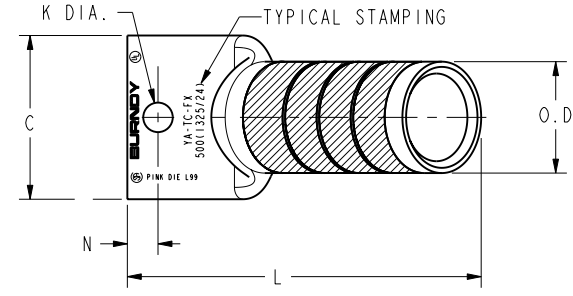
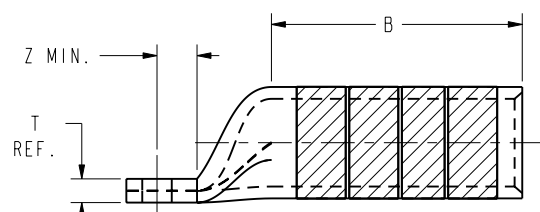
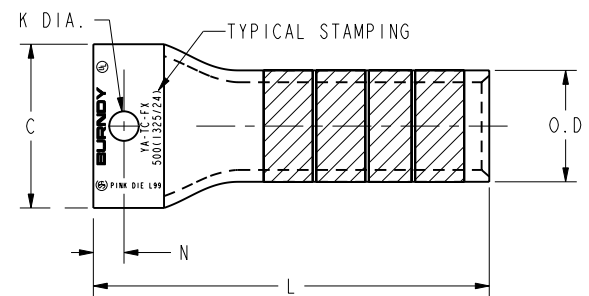


REV	DATE	DESCRIPTION	ECO	BY	C'H'K.
A	3/28/2011 6:00:00 PM	CREATE NEW SALES DRAWING	23867	IA	JG

CATALOG NO.	CONDUCTOR SIZE	BOLT SIZE	FIG NO.	DIMENSIONS									COLOR CODE	INSTALLATION TOOLING (# CRIMPS)												
				B ±.09	C ±.06	H REF.	K ±.02	L ±.15	N ±.06	O.D. ±.01	T REF.	Z MIN.		DIE INFORMATION		MECHANICAL		HYDRAULIC			DIELESS (# OF CRIMPS)	WIRE STRIP LENGTH				
														DIE INDEX	TYPE	MD7-34R	BCT500 Y500CT PAT600	Y35, Y39, Y750 BAT750, PAT750	Y45 <3>	Y46 <4>						
YA38TC516FX	535.3 kcmil 1325/24 (500 kcmil FLEX)	3/8	1			---		4.44 [112]									---	---	U38XRT (4) U38XRTWE (4)	U38XRT (4) U38XRTWE (4)	U38XRT (4) U38XRTWE (4)	HYDRAULIC: Y644, Y644M Y644MBH, BAT644M PAT644M (1) PAT81KFT (2) Y81KFT (2) PAT4PC834 (2) Y4PC834 (2)	3-3/16			
YA38TC516FX45			2		1.84 [47]	3.60 [91]	.33 [8]		3.97 [100]	.34 [9]							---	---	U38XRT (4) U38XRTWE (4)	U38XRT (4) U38XRTWE (4)	U38XRT (4) U38XRTWE (4)					
YA38TC516FX90			3			4.21 [107]			1.52 [39]									---	---	U38XRT (4) U38XRTWE (4)	U38XRT (4) U38XRTWE (4)			U38XRT (4) U38XRTWE (4)		
YA38ENT12FX			1			---			4.82 [122]										---	---	U38XRT (4) U38XRTWE (4)			U38XRT (4) U38XRTWE (4)	U38XRT (4) U38XRTWE (4)	
YA38ENT12FX45			2	2.81 [71]	1.35 [34]	3.60 [91]	.53 [13]		4.35 [110]	.53 [13]	1.25 [32]	.27 [7]	.55 [14]	PINK	L99	DIE SET			---	---	U38XRT (4) U38XRTWE (4)			U38XRT (4) U38XRTWE (4)	U38XRT (4) U38XRTWE (4)	
YA38ENT12FX90			3			4.21 [107]			1.90 [48]										---	---	U38XRT (4) U38XRTWE (4)			U38XRT (4) U38XRTWE (4)	U38XRT (4) U38XRTWE (4)	
YA38TC58FX			1			---			5.07 [129]											---	---			U38XRT (4) U38XRTWE (4)	U38XRT (4) U38XRTWE (4)	U38XRT (4) U38XRTWE (4)
YA38TC58FX45			2	1/2		1.84 [47]	3.60 [91]	.69 [18]		4.60 [117]	.66 [17]									---	---			U38XRT (4) U38XRTWE (4)	U38XRT (4) U38XRTWE (4)	U38XRT (4) U38XRTWE (4)
YA38TC58FX90			3			4.21 [107]			2.15 [55]											---	---			U38XRT (4) U38XRTWE (4)	U38XRT (4) U38XRTWE (4)	U38XRT (4) U38XRTWE (4)



- NOTES:
- MATERIAL: COPPER TUBING
 - FINISH: ELECTRO-TIN PLATED.
 - CATALOG # PT6515 ADAPTOR IS REQUIRED TO USE "U" DIES IN Y45 SERIES TOOLS.
 - CATALOG # PUADPI ADAPTOR IS REQUIRED TO USE "U" DIES IN Y46 SERIES TOOLS.
 - CONNECTORS ARE UL LISTED.
 - CONNECTORS ARE CSA CERTIFIED.
 - DIMENSIONS IN BRACKETS [] ARE IN MILLIMETERS ROUNDED OFF TO THE NEAREST MILLIMETER, UNLESS OTHERWISE NOTED, METRIC DIMENSIONS ARE FOR REFERENCE ONLY.
 - FOR LEAD PLATED VERSIONS, REPLACE THE SUFFIX "FX" WITH SUFFIX "LD" (EXAMPLE: YA382NTCLD)

TO ORDER BURNDY® PRODUCTS CALL UNITED STATES 1-800-346-4175 (LONDONDERRY, NH) CANADA: 1-800-361-6975 (QUEBEC) 1-800-387-6487 (ALL OTHER PROVINCES) FOR PRODUCT INFO: http://www.burndy.com	HYLUG™	
	ITEM NO:	N/A
	CAT. NO:	YA38----FX- (SEE TABLE)
	DRAWN BY:	I. ANBALAGAN 3/28/2011
	CHECKER:	R. ROMAN 03/29/2011
	DSN APPVL:	R. ROMAN 03/29/2011
	MFG APPVL:	-- --
	QA APPVL:	T. WATTS 03/29/2011
	MKT APPVL:	J. SYLVIA 04/02/2011
	PROJ #:	--
DOCUMENT TYPE:	Sales	
REL LEVEL:	Released	
SCALE:	1:1	
DRAWING NO:	30013853	
REV:	A	

REV: PE0200