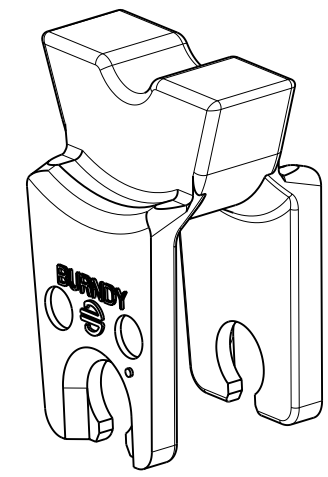
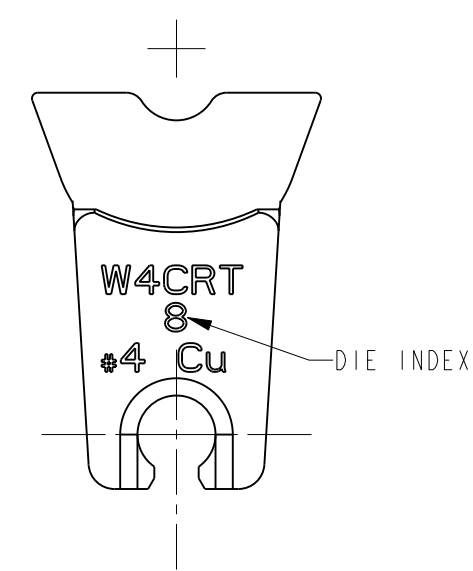
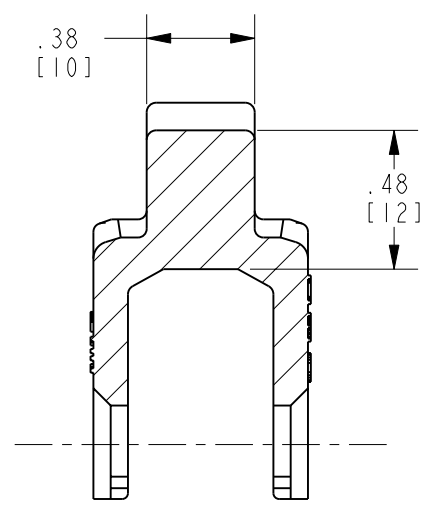
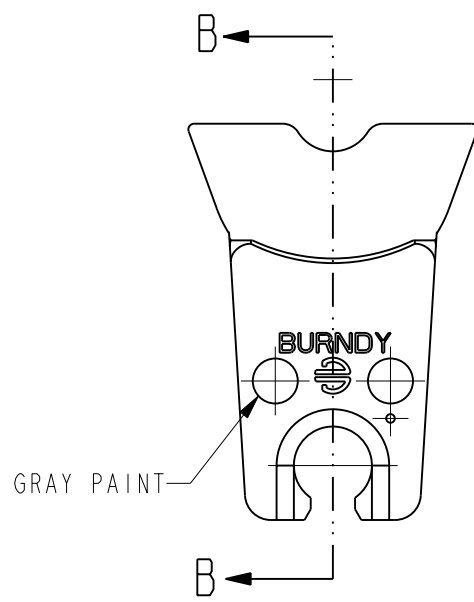
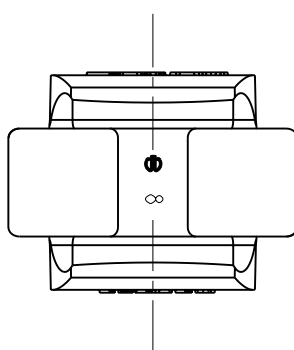


REV.	DATE	DESCRIPTION	ECO	BY	C'H'K.
C	03/16/2015 00:00:00 AM	UPDATED AS PER MARKUP	37870	MG	RM



NOTES:

1. DIMENSIONS IN BRACKETS [] ARE IN MILLIMETERS ROUNDED OFF TO THE NEAREST MILLIMETER, UNLESS OTHERWISE SPECIFIED, AND ARE FOR REFERENCE ONLY.
2. MATERIAL : STAINLESS STEEL.
3. DIE GAGE CAT NO. WPG8

TO ORDER BURNDY® PRODUCTS CALL
 UNITED STATES:
 1-800-346-4175 (LONDONDERRY, NH)
 CANADA:
 1-800-361-6975 (QUEBEC)
 1-800-387-6487 (ALL OTHER PROVINCES)
 FOR PRODUCT INFO: <http://www.burndy.com>

W-DIES (MD6 HYTOOL)		SCALE: 3:2	
ITEM NO: 464161		DRAWING NO	
CAT. NO: W4CRT		REV	
DRAWN BY: C. RAJEEV	5/4/11	BURNDY	
CHECKER: L. BROWN	5/6/11		
DSN APPVL: L. BROWN	5/6/11		
MFG APPVL: --	--		
QA APPVL: C. KOWALCZYK	5/7/11		
MKT APPVL: D. OVENS	5/6/11		
PROD FAM: TOOLS, MECHANICAL			
PROJECT #: --	SIZE	DRAWING NO	
DOCUMENT TYPE: Sales	B	30015229	
REL LEVEL: Released		SHEET 1 OF 1	

REV: PE0200