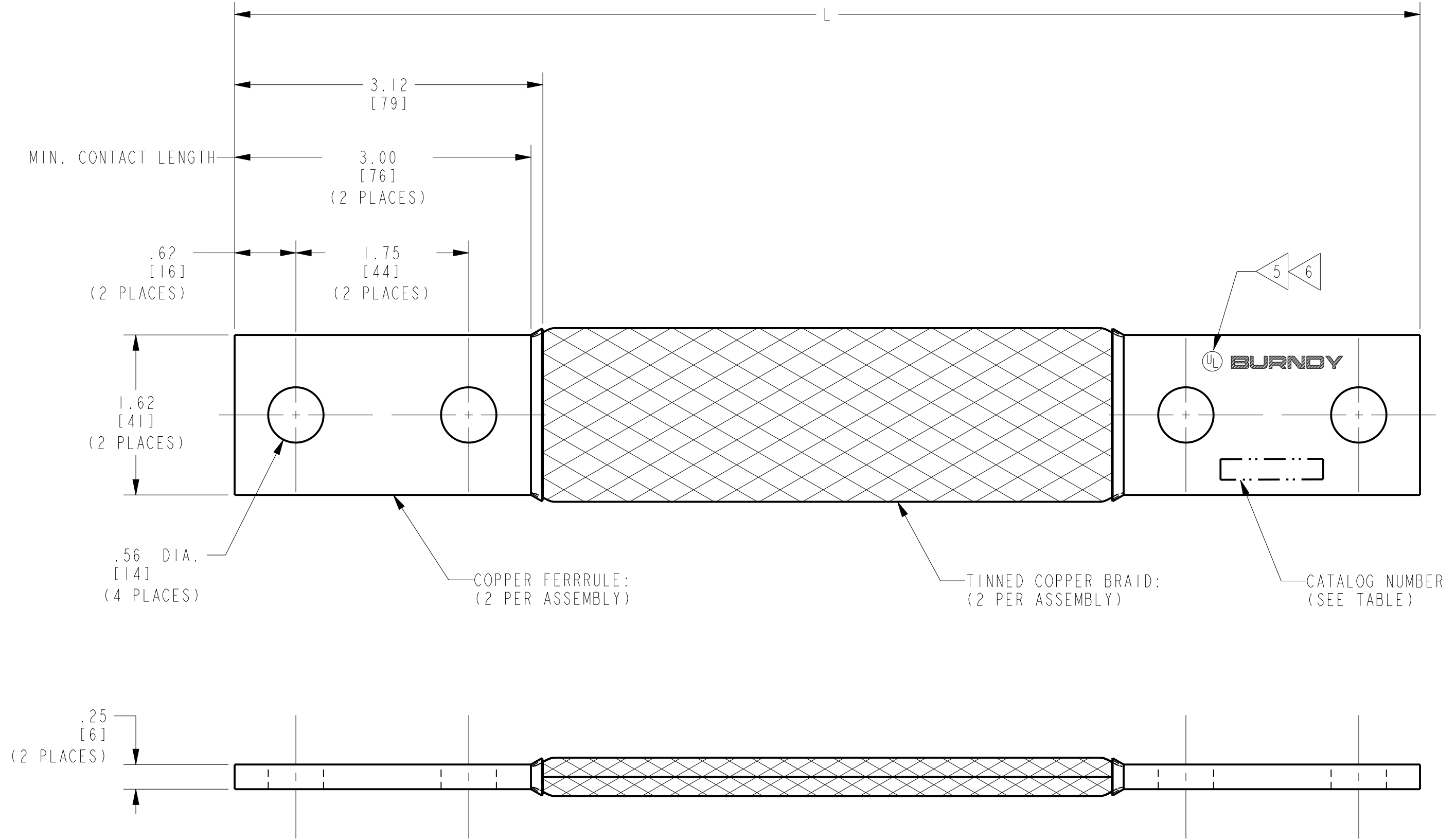


CATALOG NUMBER	ITEM NUMBER	L
B2E7D50N	50045819	7.50 [191]
B2E8NSV	000793	8.00 [203]
B2E9D50N	50045818	9.50 [241]
B2E10N	332829	10.00 [254]
B2E12N	332214	12.00 [305]
B2E13N	25004515	13.00 [330]
B2E14N	33208U	14.00 [356]
B2E15N	332799	15.00 [381]
B2E16N	33214U	16.00 [406]
B2E17N	50022039	17.00 [432]
B2E17NSV	332797	17.00 [432]
B2E18N	33290P	18.00 [457]
B2E20N	50021757	20.00 [508]
B2E20NW	25021012	20.00 [508]
B2E22N	332594	22.00 [559]
B2E24N	3320AD	24.00 [610]
B2E27N	332443	27.00 [686]
B2E30N	26001948	30.00 [762]
B2E36N	10101985	36.00 [914]
B2E38N	25020933	38.00 [965]
B2E45N	25020932	45.00 [1143]
B2E66N	33206B	66.00 [1676]
B2E72N	50056138	72.00 [1829]

REV	DATE	DESCRIPTION	ECO	BY	C'H'K.
E	02/19/2015 00:00:00 AM	FOCUS REQUEST#1502050	39259	AS	MB



NOTES:

- APPROXIMATE AMP RATING: 530 INDOOR, 635 OUTDOOR
THIS RATING MAY VARY WITH AMBIENT CONDITIONS, ORIENTATION OF THE BRAID AND OTHER SERVICE CONDITIONS.
- DIMENSIONS IN BRACKETS [] ARE IN MILLIMETERS ROUNDED OFF TO THE NEAREST MILLIMETER, UNLESS OTHERWISE NOTED, AND ARE FOR REFERENCE ONLY.
- CAN BE ORDERED WITH PLATED FERRULES BY ADDING SUFFIX AS SHOWN BELOW:
"NK" - FOR NICKEL PLATING
"SV" - FOR SILVER PLATING
"TN" - FOR TIN PLATING
"W" - FOR HOT TIN DIPPED
- CAN BE ORDERED WITH UNDRILLED FERRULES BY ADDING SUFFIX "U".
- ALL SIZES ARE LISTED TO UL 467 GROUNDING & BONDING EQUIPMENT STANDARDS.
- BRAID SIZES MAY BE DESIGNATED BY SUFFIXES REPRESENTING VARIATIONS IN LENGTH, QUANTITY & SIZE OF MOUNTING HOLES, PAD SIZE AND FINISH. (REF. NOTES 5)

TO ORDER BURNDY® PRODUCTS CALL
 UNITED STATES:
 1-800-346-4175 (LONDONDERRY, NH)
 CANADA:
 1-800-361-6975 (QUEBEC)
 1-800-387-6487 (ALL OTHER PROVINCES)
 FOR PRODUCT INFO: <http://www.burndy.com>

BRAID	
ITEM NO:	SEE TABLE
CAT. NO:	B2E--N (SEE TABLE)
DRAWN BY:	B.MANIKANDAN 05/19/11
CHECKER:	--
DSN APPVL:	--
MFG APPVL:	--
QA APPVL:	JOEL 08/02/2013
MKT APPVL:	KATHLEEN 08/05/2013
PROD FAM:	--
PROJECT #:	--
DOCUMENT TYPE:	Sales
REL LEVEL:	Released



DRAWING NO	REV
30015670	E

REV: PE0200