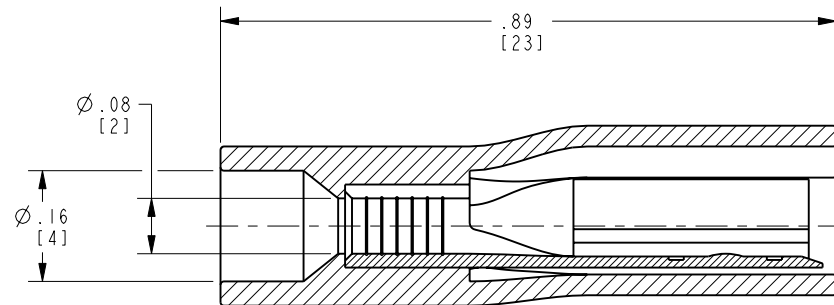
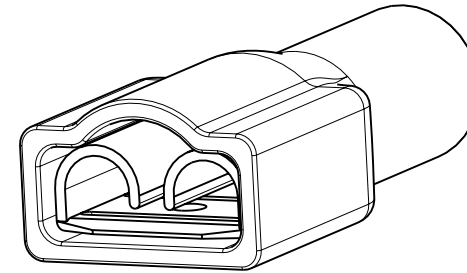
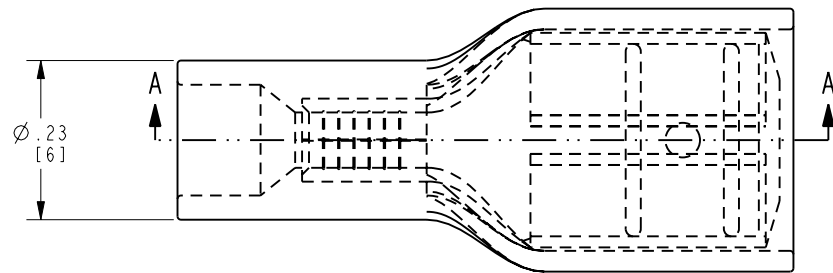


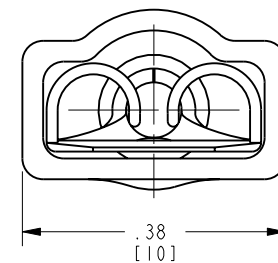
DRAWING NO.
30015719

CATALOG NUMBER	WIRE RANGE AWG [1.5 - 2.5 mm ²]	TAB SIZE INCH [6 X 0.8]	INSULATION COLOR
QNI4FF250D	16-14 [1.5 - 2.5 mm ²]	.250 X .032 [6 X 0.8]	BLUE

REV	DATE	DESCRIPTION	ECO	BY	C'H'K.
A	5/25/2011 5:00:00 PM	NEW DRAWING RELEASED	24563	BSB	MA



SECTION A-A



NOTES:

1. TERMINAL MATERIAL: BRASS.
2. FINISH: TIN PLATED.
3. HOUSING: MOLDED NYLON.
4. DIMENSIONS IN BRACKETS [] ARE IN MILLIMETERS, ROUNDED OFF TO THE NEAREST MILLIMETER, UNLESS OTHERWISE NOTED. METRIC DIMENSIONS ARE FOR REFERENCE ONLY.
5. ASSEMBLY IS ROHS COMPLIANT.

TO ORDER BURNDY® PRODUCTS CALL		FULLY INSULATED FEMALE COUPLER	
UNITED STATES: 1-800-346-4175 (LONDONDERRY, NH)		ITEM NO: 509188	
CANADA: 1-800-361-6975 (QUEBEC) 1-800-387-6487 (ALL OTHER PROVINCES)		CAT. NO: QNI4FF250D	
FOR PRODUCT INFO: http://www.burndy.com		DRAWN BY: B SURESH BABU 05/25/11	
		CHECKER: A.MONTMINY 05/31/11	
		DSN APPVL: A.MONTMINY 05/31/11	
		MFG APPVL: --	
		QA APPVL: C.KOWALCZYK 05/31/11	
		MKT APPVL: J.SYLVIA 05/28/11	
		SCALE: 5:1	
		PROD FAM: SMALL COMPRESSION	
		DRAWING NO: 30015719	
		PROJECT #: --	
		SIZE: C	
		DOCUMENT TYPE: Sales	
		REL LEVEL: Released	
		REV: A	

REV: PE0200