

DRAWING NO.
30015783

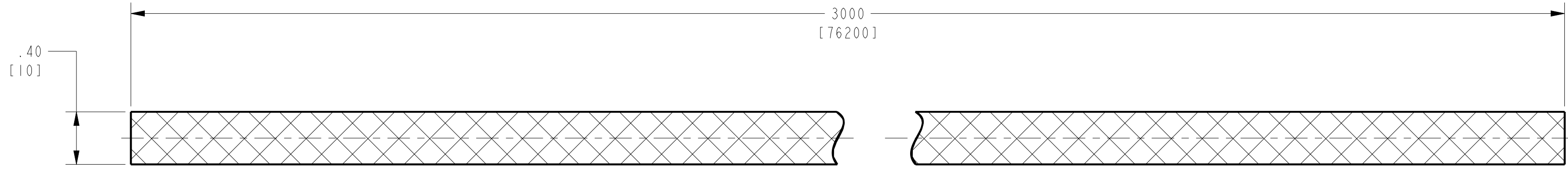
4

3

2

1

REV	DATE	DESCRIPTION	ECO	BY	C'H'K.
A	08/31/2011 11:00:00 AM	SALES DRAWING RELEASED	25458	BD	MB



NOTES:

1. DIMENSIONS IN BRACKETS [] ARE IN MILLIMETERS ROUNDED OFF TO THE NEAREST MILLIMETER, UNLESS OTHERWISE NOTED, METRIC DIMENSOIN ARE FOR REFERENCE ONLY.
2. BRAID IS TIN PLATED.
3. STRAND CONSTRUCTION: 7X7X59 INDUSTRIAL WIRE SIZE: 36 AWG.
4. 2 AWG. EQUIVALENT, 66.4 kcmil.

TO ORDER BURNDY® PRODUCTS CALL		TIN PLATED ROPE LAY	
UNITED STATES: 1-800-346-4175 (LONDONDERRY, NH)		ITEM NO: 30014784	
CANADA: 1-800-361-6975 (QUEBEC) 1-800-387-6487 (ALL OTHER PROVINCES)		CAT. NO: B775936L3000	
FOR PRODUCT INFO: http://www.burndy.com		DRAWN BY: M. AYYAPPAN 05/20/11	
		CHECKER: E. MARTIN 05/20/11	
		DSN APPVL: E. MARTIN 05/20/11	
		MFG APPVL: O. GUALBERTO 05/23/11	
		QA APPVL: J. BRODEUR 05/21/11	
		MKT APPVL: P. THERRIEN 05/21/11	
		SCALE: NTS	
		DRAWING NO	
		REV	
		30015783	
		A	
		SHEET 1 OF 1	

4

3

2

1

REV: PE0200

D

C

B

A

D

C

B

A