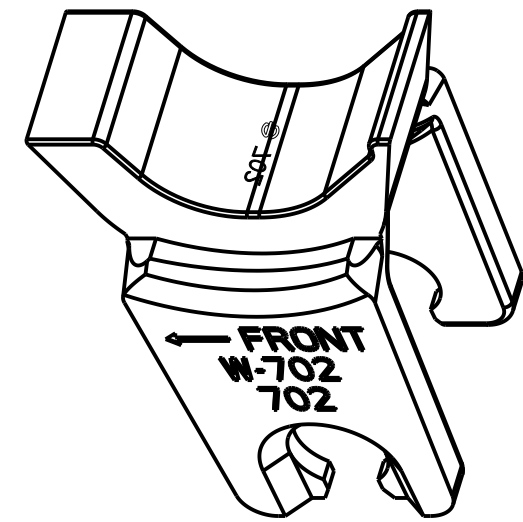
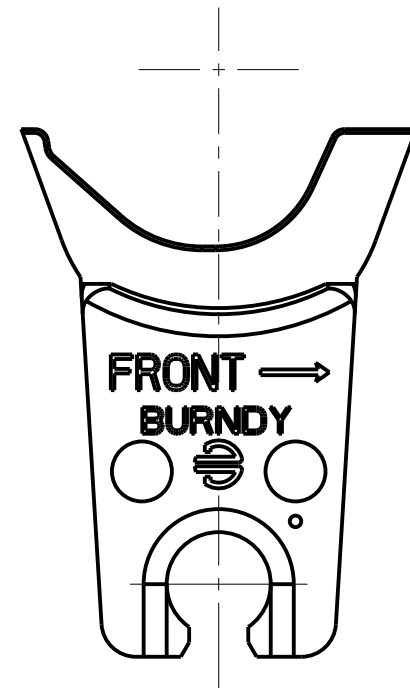
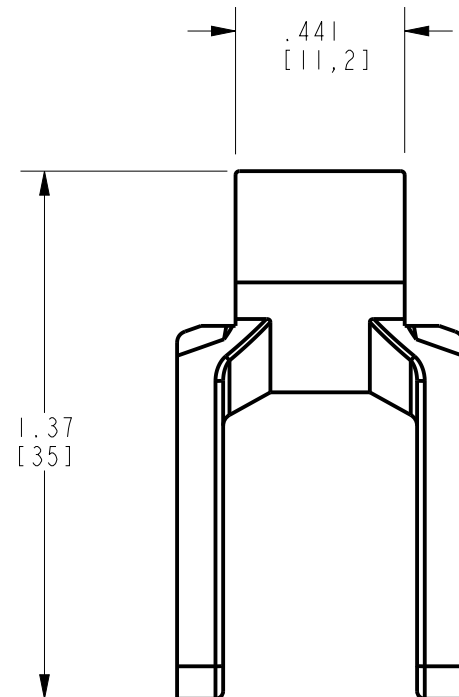
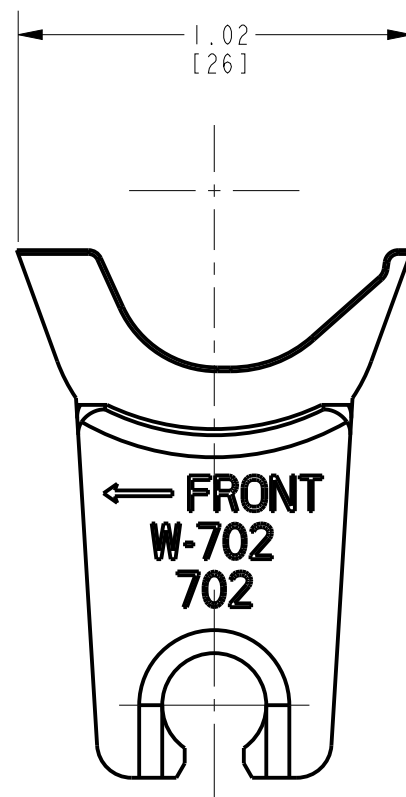
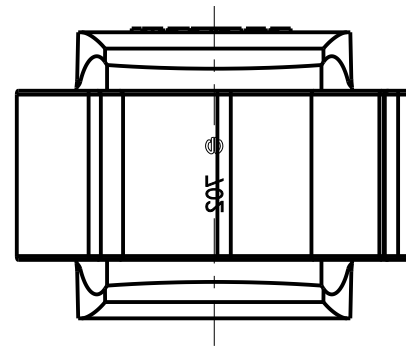


REV.	DATE	DESCRIPTION	ECO	BY	C'H'K.
B	01/29/2014 19:00:00 PM	ADD NOTE 6 TO DRAWING PER M/U.	34286	RB	LB



NOTES:

1. DIES MUST BE ORIENTED IN CRIMP TOOL WITH ARROW DESIGNATION DIRECTED TOWARD THE FRONT (JAW TIP END) OF TOOL.
2. CATALOG NUMBER INCLUDES TWO DIE HALVES.
3. USABLE IN BURNDY MD6, MD7 OR THE MD7-34R.
4. DIMENSIONS IN BRACKETS [] ARE IN MILLIMETERS, ROUNDED OFF TO THE NEAREST MILLIMETER, UNLESS OTHERWISE NOTED. METRIC DIMENSIONS ARE FOR REFERENCE ONLY.
5. MATERIAL: STAINLESS STEEL.
6. DIE GAGE CAT. NO. WPG702.

TO ORDER BURNDY® PRODUCTS CALL		W702 NON-BOWING DIE	
UNITED STATES: 1-800-346-4175 (LONDONDERRY, NH)		ITEM NO: 464480	
CANADA: 1-800-361-6975 (QUEBEC) 1-800-387-6487 (ALL OTHER PROVINCES)		CAT. NO: W702	
FOR PRODUCT INFO: http://www.burndy.com		DRAWN BY: R. MURUGESAN 6/14/2011	
		CHECKER: --	
		DSN APPVL: --	
		MFG APPVL: --	
		QA APPVL: --	
		MKT APPVL: --	
		PROD FAM: TOOLS_MECHANICAL/W_DIES	
		PROJECT #: --	
		DOCUMENT TYPE: Sales	
		REL LEVEL: Released	
		SCALE: 1:1	
		DRAWING NO	
		REV	
		SIZE	
		30016109	
		B	
		SHEET 1 OF 1	
		B	

REV: PE0200