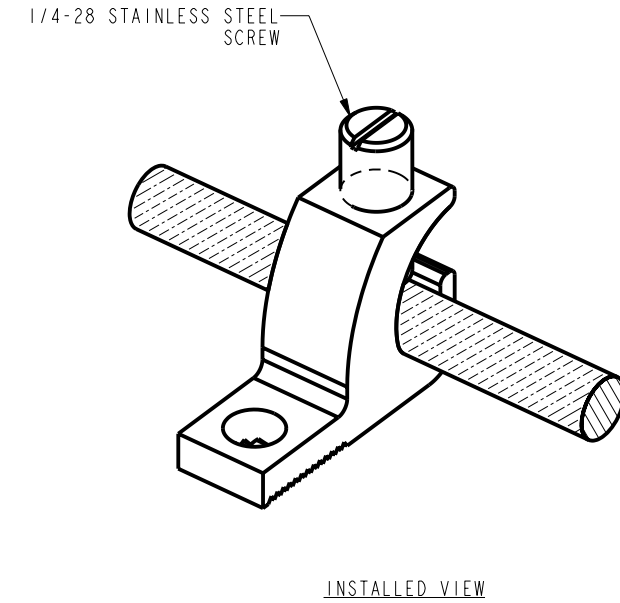
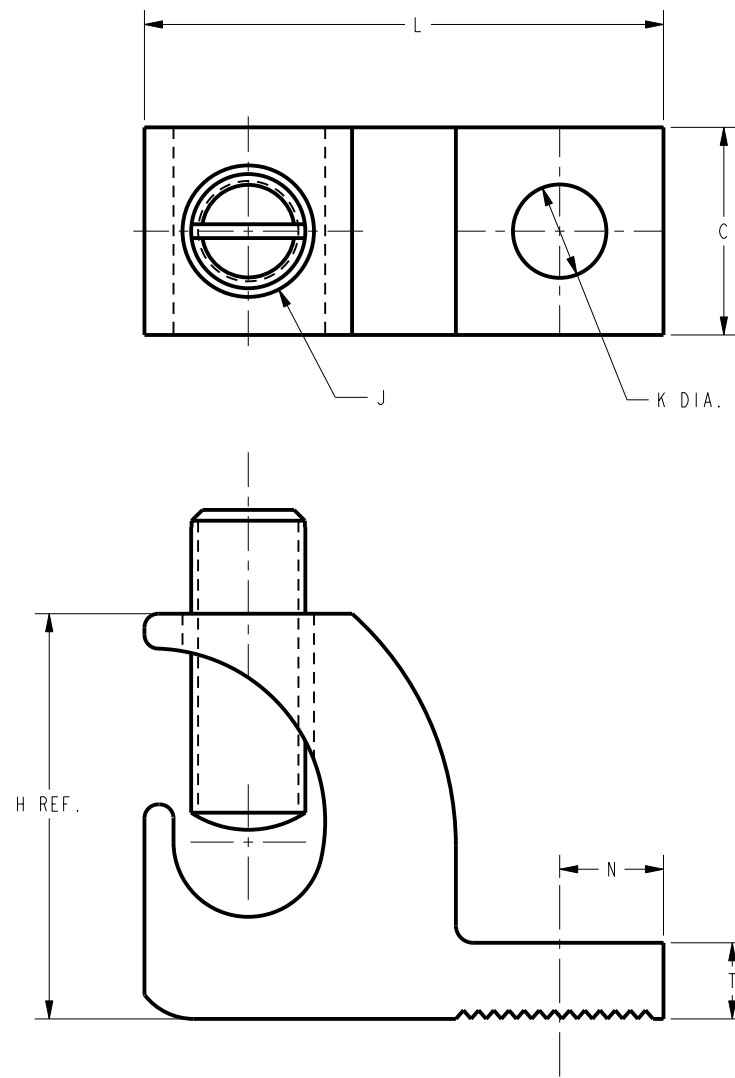


DRAWING NO.
30016706

CATALOG NUMBER	CONDUCTOR RANGE	DIMENSIONS (±.02) UNLESS OTHERWISE SPECIFIED							HEX SIZE	WIRE SIZE	TORQUE in-Lbs.
		C	H REF.	J	K DIA.	L	N	T			
BGBL4SS	4-14 AWG	.38 [10]	.78 [20]	1/4-28	.22 [6]	1.07 [27]	.19 [5]	.15 [4]	SLOT	#4 - #6 AWG #8 AWG #10 - #14 AWG	35 in-Lbs 25 in-Lbs 20 in-Lbs

REV	DATE	DESCRIPTION	ECO	BY	C'H'K.
D	11/01/2012 00:00:00 AM	E MIN. DELETED. NOTE: 3 ADDED	29287	MA	VK



NOTES:

1. MATERIAL: HIGH STRENGTH 6061-T6 ALUMINUM, TIN PLATED.
2. SUITABLE FOR COPPER CONDUCTORS ONLY.
3. UL 486 A/B LISTED, CSA 6223-02 CERTIFIED
4. LISTED TO UL 467 GROUNDING AND BONDING.
5. LAY-IN FEATURE PROVIDES EASE OF INSTALLATION.
6. DIMENSIONS IN BRACKETS [] ARE IN MILLIMETERS ROUNDED OFF TO THE NEAREST MILLIMETER, UNLESS OTHERWISE NOTED, AND ARE FOR REFERENCE ONLY.
7. ALL CONNECTORS RATED FOR 90° C.

TO ORDER BURNDY® PRODUCTS CALL		LAY-IN QIKLUG™ TERMINAL	
UNITED STATES: 1-800-346-4175 (LONDONDERRY, NH)		ITEM NO: 10094190	
CANADA: 1-800-361-6975 (QUEBEC) 1-800-387-6487 (ALL OTHER PROVINCES)		CAT. NO: BGBL4SS	
FOR PRODUCT INFO: http://www.burndy.com		DRAWN BY: B. SURESH BABU 01/17/12	
		CHECKER: D. SPURRELL 01/14/12	
		DSN APPVL: D. SPURRELL 01/14/12	
		MFG APPVL: P. KEENAN 01/16/12	
		QA APPVL: C. KOWALCZYK 01/17/12	
		MKT APPVL: P. THERRIEN 01/14/12	
		SCALE: 1:1	
		DRAWING NO	
		30016706	
		REV	
		D	

REV: PE0200