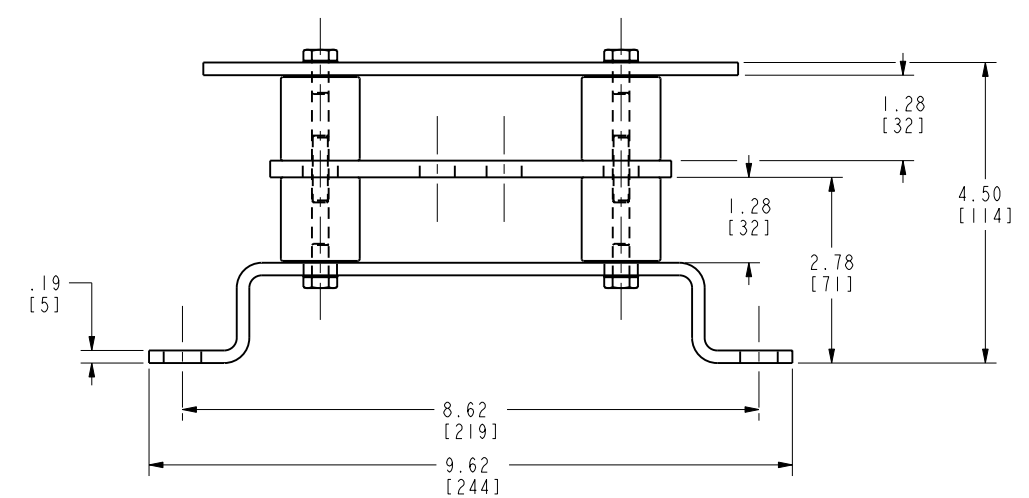
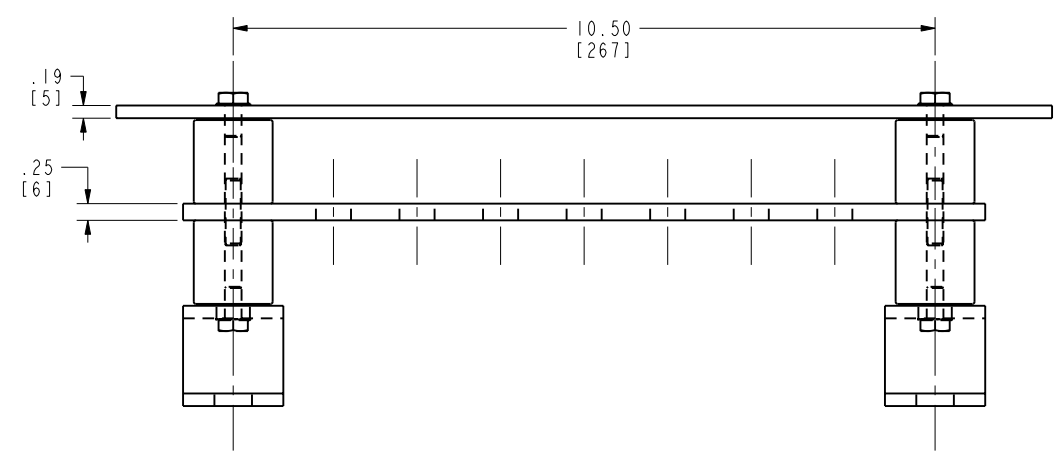
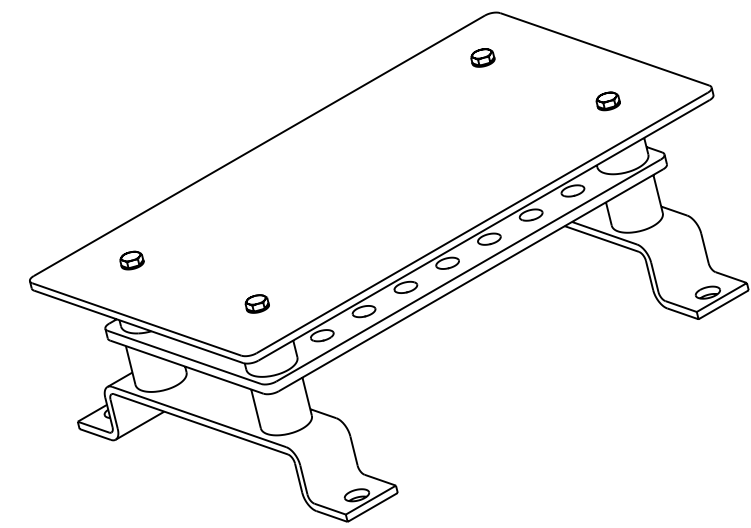
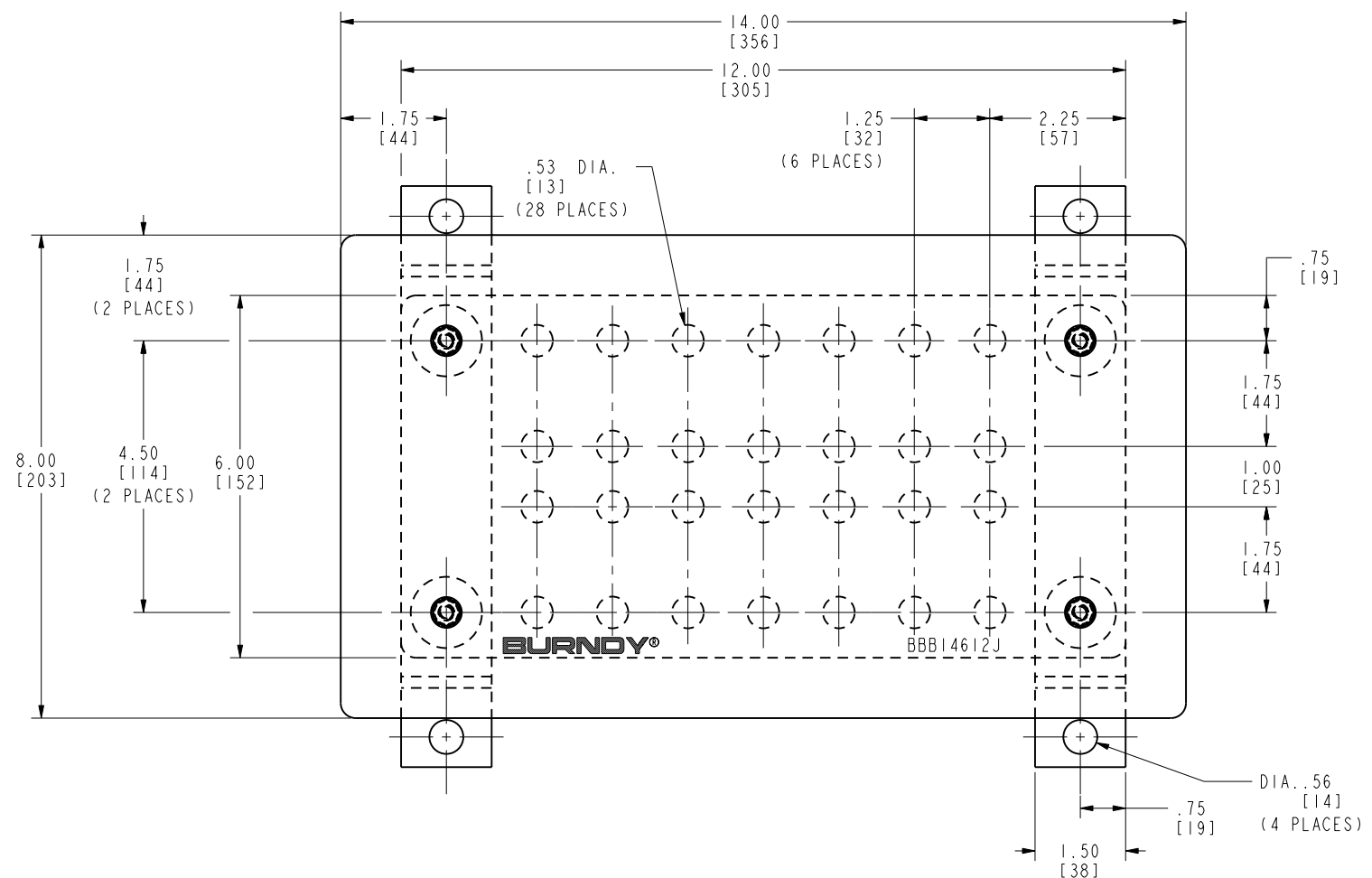


DRAWING NO.
30017324

| REV | DATE | DESCRIPTION | ECO | BY | C'H'K. |
|-----|----------------------------|----------------------|-------|----|--------|
| A | 2011-06-30 12:00:00 PM EDT | NEW DRAWING RELEASED | 25014 | RG | MA |



- NOTES:
- MATERIAL: BUS BAR - COPPER.
COVER - POLYCARBONATE.
MOUNTING BOLT - STAINLESS STEEL.
STUD - STAINLESS STEEL.
EXTERNAL TOOTH LOCK WASHER - STAINLESS STEEL.
 - DIMENSIONS IN [] BRACKETS ARE IN MILLIMETERS, ROUNDED OFF TO THE NEAREST MILLIMETER, UNLESS OTHERWISE NOTED. METRIC DIMENSIONS ARE FOR REFERENCE ONLY.
 - THIS CATALOG NUMBER INCLUDES ONE BUSBAR, ONE GROUND PLATE COVER, EIGHT INSULATORS, TWO MOUNTING BRACKETS, EIGHT MOUNTING BOLTS, EIGHT EXTERNAL TOOTH LOCKWASHERS, EIGHT RUBBER OR FIBER WASHERS AND FOUR STUDS.

| | | | |
|---|--|-------------------------------|---------------------------------|
| TO ORDER BURNDY® PRODUCTS CALL | | BUSBAR KIT | |
| UNITED STATES 1-800-346-4175 (LONDONDERRY, NH) | | ITEM NO: 30014849 | CAT. NO: BBB14612J |
| CANADA: 1-800-361-6975 (QUEBEC) 1-800-387-6487 (ALL OTHER PROVINCES) | | DRAWN BY: C. RAJEEV 6/30/11 | CHECKER: K. BOUTIN 7/27/11 |
| FOR PRODUCT INFO: http://www.burndy.com | | DSN APPVL: K. BOUTIN 7/27/11 | MFG APPVL: -- -- |
| | | QA APPVL: C. ACKERMAN 8/24/11 | MKT APPVL: K. ROBICHEAU 7/26/11 |
| | | PROJ #: | SCALE: 1:2 |
| | | DOCUMENT TYPE: Sales | DRAWING NO: 30017324 |
| | | REL LEVEL: Released | SHEET 1 OF 1 |

REV: PE0200