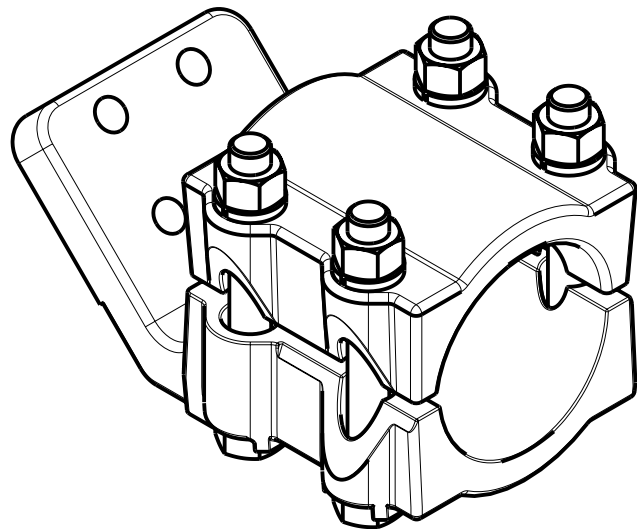
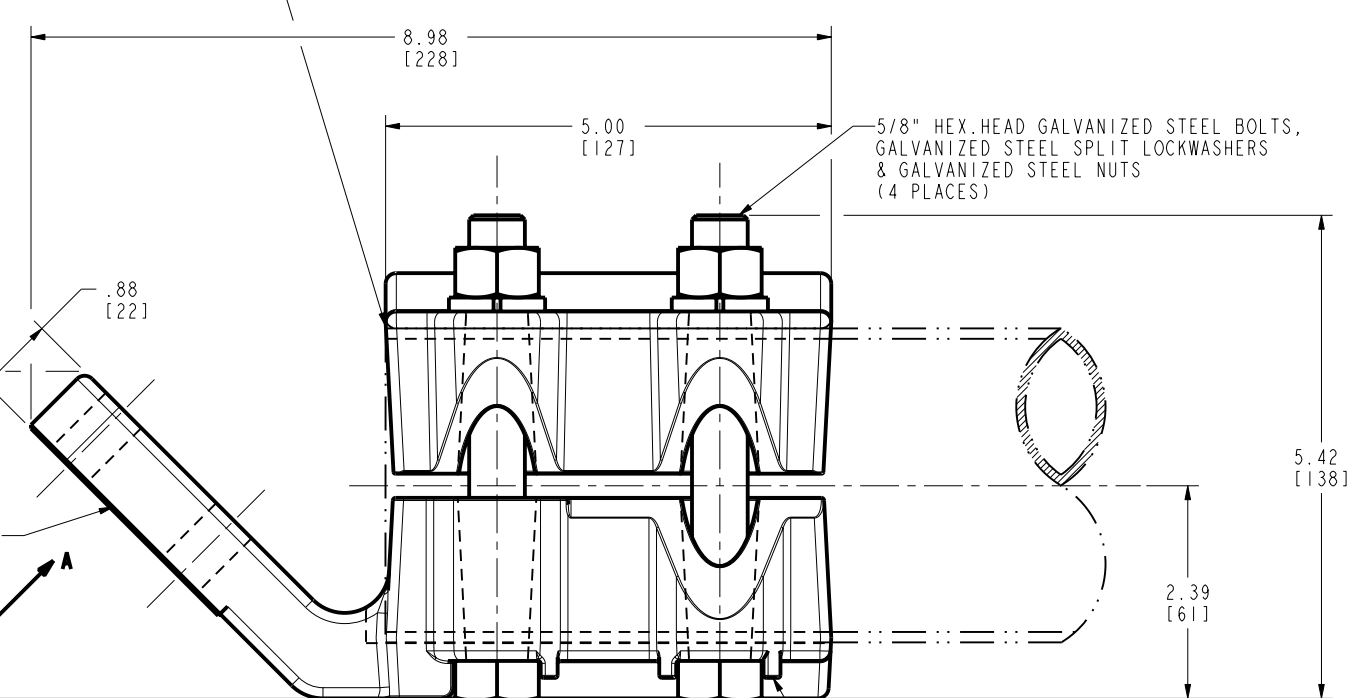
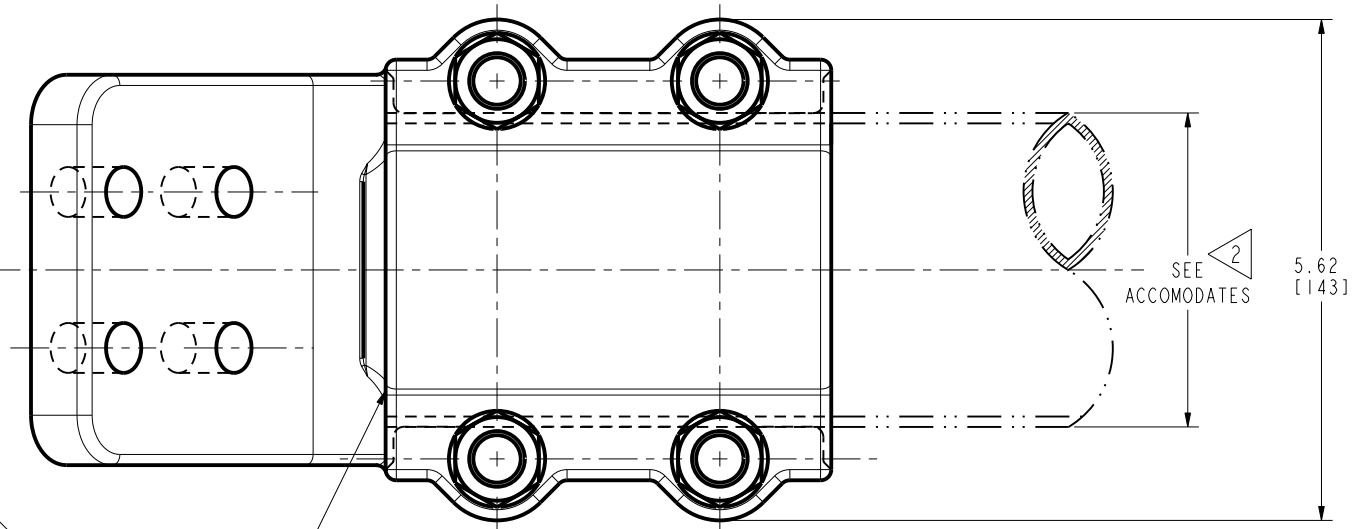
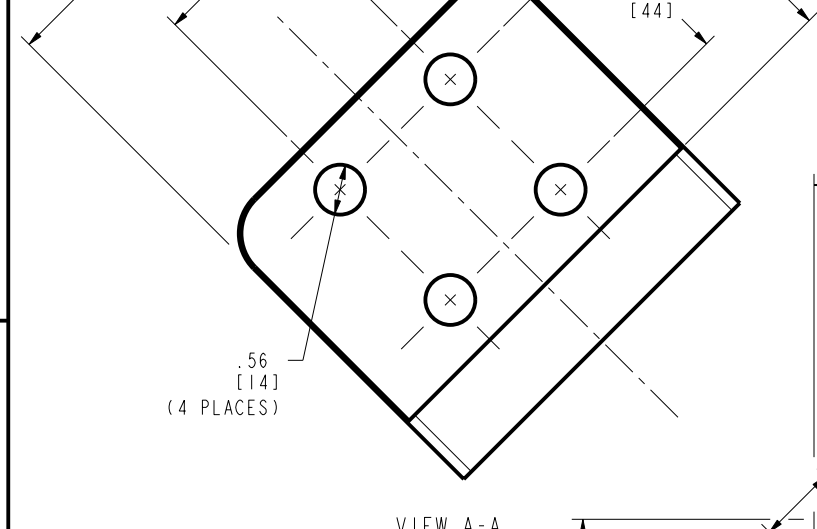
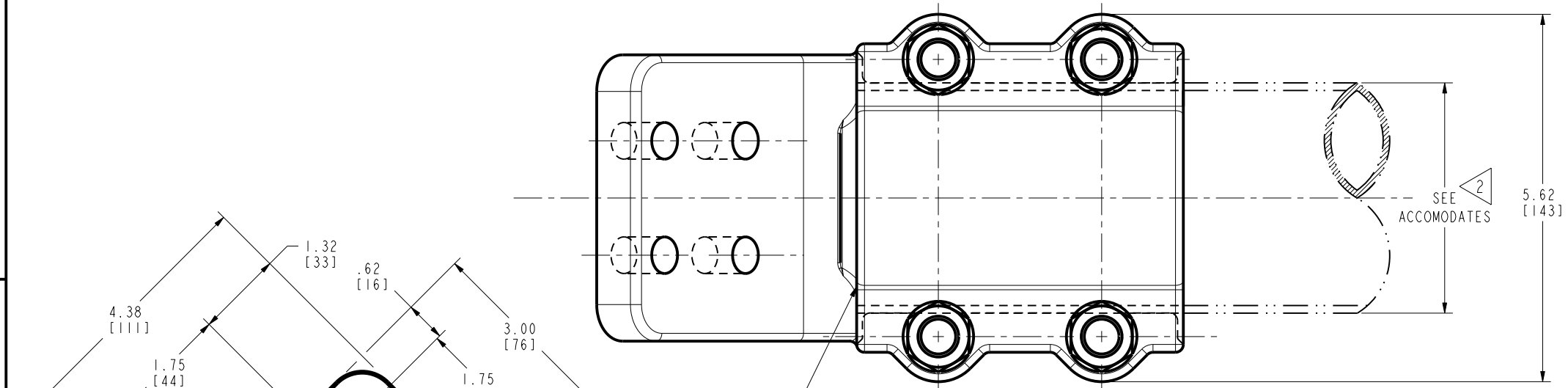


DRAWING NO.
30017343

REV	DATE	DESCRIPTION	ECO	BY	C'H'K.
A	2011-05-08 01:00:00 AM EDT	CREATE SALES DRAWING FOR NA20A4N45	25293	MK	NJS



- NOTES:
- MATERIAL:
BODY & CAP: CAST ALUMINUM ALLOY
 - ACCOMMODATES:
3" IPS (3.500 [89] DIA) ALUM TUBE.
 - NOMINAL BOLT INSTALLATION TORQUE:
5/8" HEX. GALVANIZED STEEL HARDWARE 660 IN-LBS [75 Nm].
 - DIMENSIONS IN BRACKETS [] DENOTES METRIC UNITS [SI UNITS] AND ARE ROUNDED TO THE NEAREST WHOLE NUMBER. UNLESS OTHERWISE SPECIFIED THESE UNITS SHALL BE USED FOR REFERENCE ONLY.
 - HEX BOLTS CAPTURED TO PREVENT TURNING DURING INSTALLATION.
 - MARKING:
BURNDY
NA20A4N45
3" IPS ALUM
 - INSTALL PIPE FLUSH WITH EDGE OF CAP.

TO ORDER BURNDY® PRODUCTS CALL		TERMINAL	
UNITED STATES 1-800-346-4175 (LONDONDERRY, NH)		ITEM NO: 27013019	CAT. NO: NA20A4N45GS
CANADA: 1-800-361-6975 (QUEBEC) 1-800-387-6487 (ALL OTHER PROVINCES)		DRAWN BY: M KATHIR 8/05/11	CHECKER: NJ SUDHAKAR 8/05/11
FOR PRODUCT INFO: http://www.burndy.com		DSN APPVL: R LAVOIE 8/19/11	MFG APPVL: --
		QA APPVL: J HILLMAN 8/23/11	MKT APPVL: V TORRES 8/18/11
		PROJ #:	SCALE: 1:1
		DOCUMENT TYPE: Sales	DRAWING NO: 30017343
		REL LEVEL: Released	REV: A
		SIZE: D	SHEET 1 OF 1

REV: PE0200