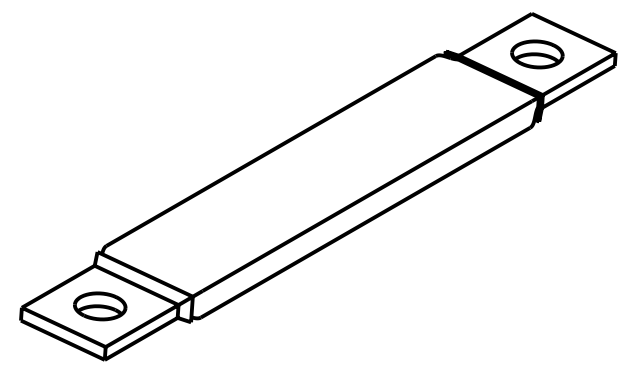
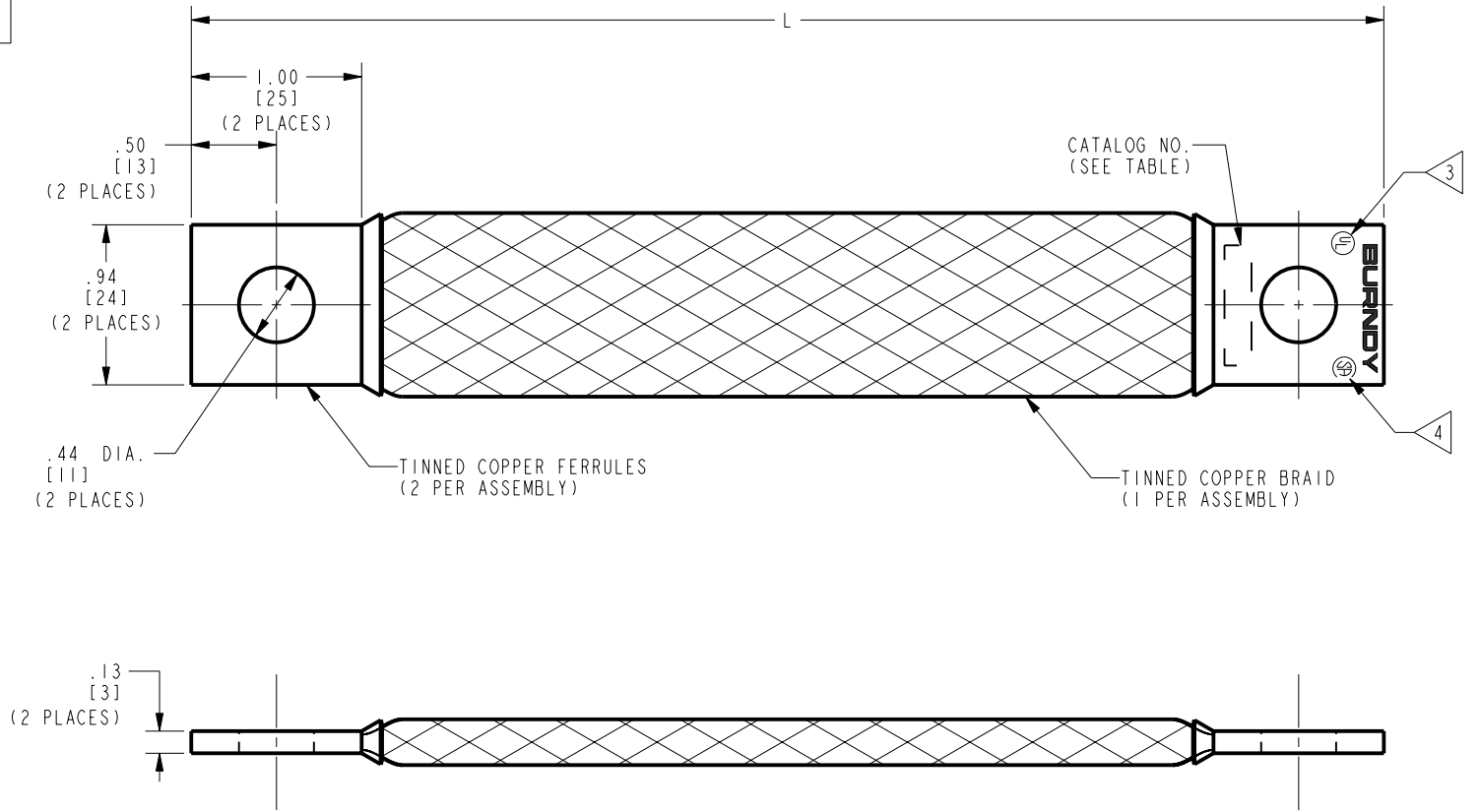


DRAWING NO. 30017936		
CATALOG NUMBER	ITEM NUMBER	L
BD4G185TN	30017732	4.00 [102]
BD7G185TN	30017733	7.00 [178]
BD13G185TN	33202T	13.00 [330]

REV	DATE	DESCRIPTION	ECO	BY	C'H'K.
A	2011-07-18 17:17:00 EDT	FOCUS REQUEST	25143	MA	BT



NOTES:

- APPROXIMATE AMP RATING: 190 INDOOR, 225 OUTDOOR. THIS RATING MAY VARY WITH AMBIENT CONDITIONS, ORIENTATION OF THE BRAID AND OTHER SERVICE CONDITIONS.
  - DIMENSIONS IN BRACKETS [ ] ARE IN MILLIMETERS ROUNDED OFF TO THE NEAREST MILLIMETER, UNLESS OTHERWISE SPECIFIED, AND ARE FOR REFERENCE ONLY.
- 3 ALL SIZES ARE LISTED TO UL 467 GROUNDING & BONDING EQUIPMENT STANDARDS.  
 4 ALL SIZES ARE LISTED TO CSA C22.2 NO. 41 GROUNDING & BONDING EQUIPMENT STANDARDS.

TO ORDER BURNDY® PRODUCTS CALL  
 UNITED STATES:  
 1-800-346-4175 (LONDONDERRY, NH)  
 CANADA:  
 1-800-361-6975 (QUEBEC)  
 1-800-387-6487 (ALL OTHER PROVINCES)  
 FOR PRODUCT INFO: <http://www.burndy.com>

BRAID, FLEXIBLE	
ITEM NO:	SEE TABLE
CAT. NO:	BD--G185TN (TABLE)
DRAWN BY:	M. AYYAPPAN 07/18/11
CHECKER:	E. MARTIN 07/21/11
DSN APPVL:	E. MARTIN 07/21/11
MFG APPVL:	--
QA APPVL:	C. ACKERMAN 07/26/11
MKT APPVL:	P. THERRIEN 07/26/11
SCALE:	3:4
PROD FAM:	--
PROJECT #:	--
DOCUMENT TYPE:	Sales
REL LEVEL:	Released
DRAWING NO	30017936
REV	A
SIZE	C
SHEET 1 OF 1	

REV: PE0200