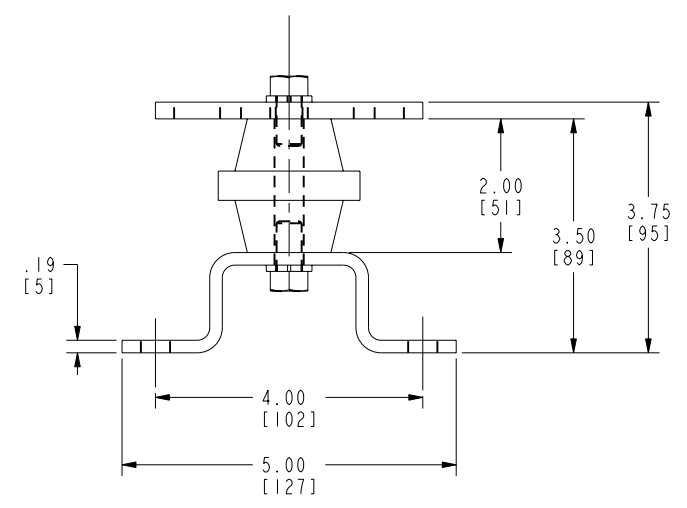
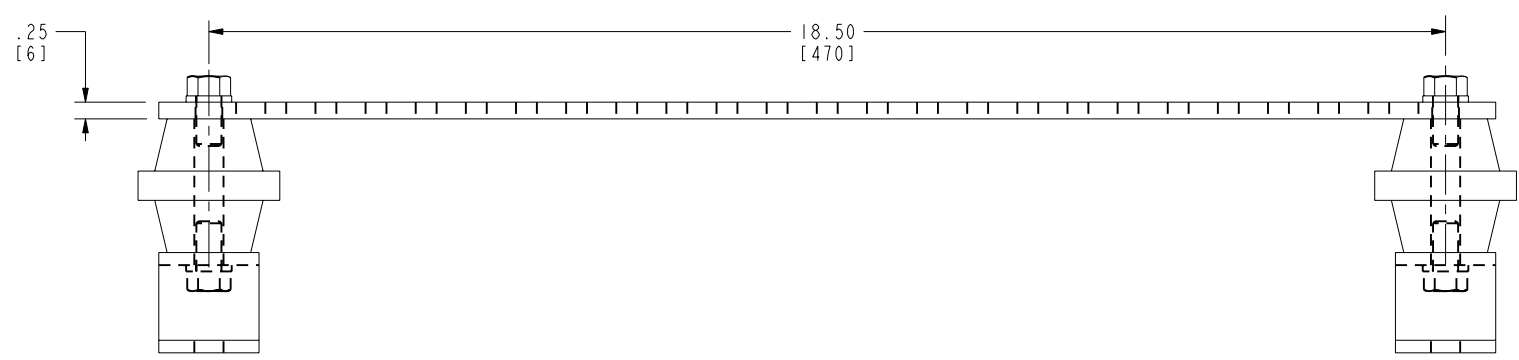
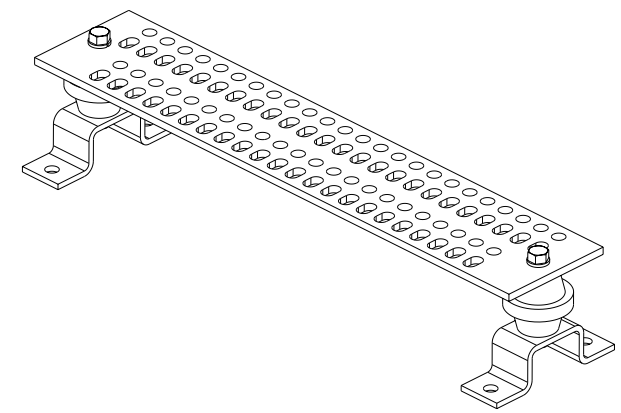
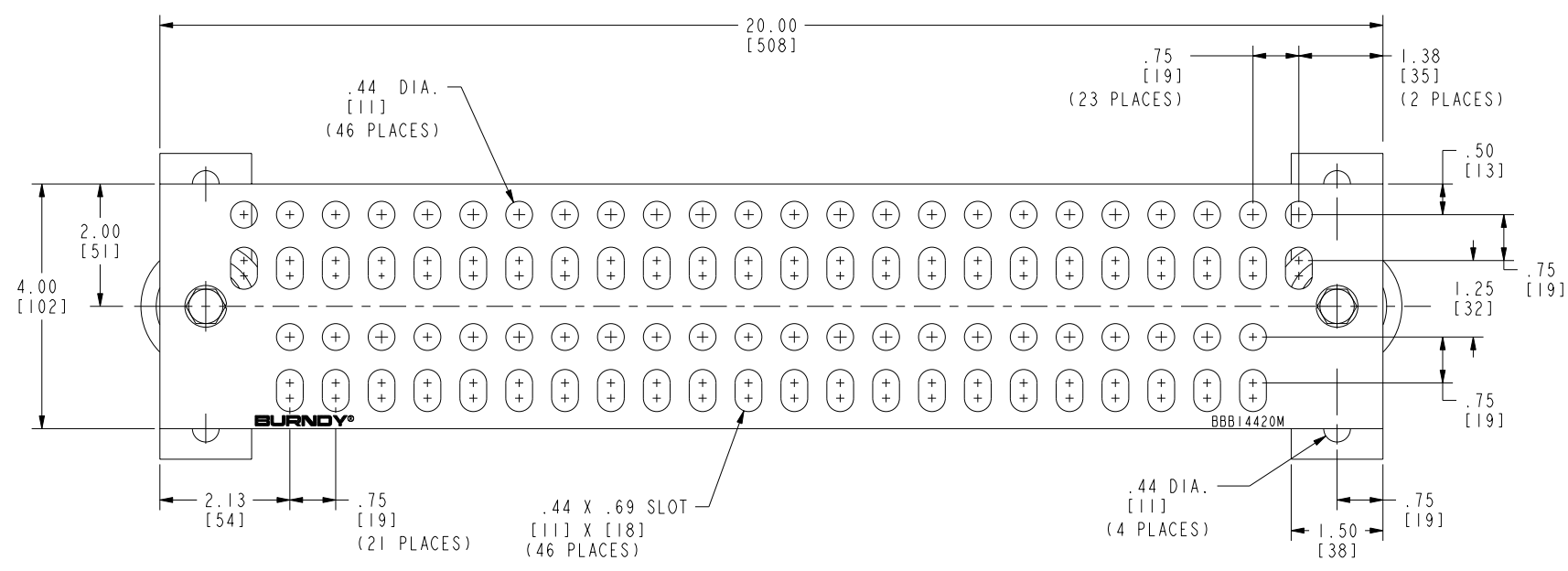


DRAWING NO.
30018166

REV	DATE	DESCRIPTION	ECO	BY	C'H'K.
A	07/22/2011 12:00:00 PM	NEW DRAWING RELEASED	25183	AD	MA



NOTES:

1. MATERIAL: BUS BAR - COPPER.
2. DIMENSIONS IN BRACKETS [] ARE IN MILLIMETERS ROUNDED OFF TO THE NEAREST MILLIMETER, UNLESS OTHERWISE NOTED, AND ARE FOR REFERENCE ONLY.
3. THIS CATALOG NUMBER INCLUDES ONE BUS BAR, TWO INSULATORS, TWO MOUNTING BRACKETS, FOUR MOUNTING BOLTS AND FOUR LOCK WASHERS.

TO ORDER BURNDY® PRODUCTS CALL		BUS BAR KIT	
UNITED STATES 1-800-346-4175 (LONDONDERRY, NH)		ITEM NO: 30017747	CAT. NO: BBB14420M
CANADA: 1-800-361-6975 (QUEBEC) 1-800-387-6487 (ALL OTHER PROVINCES)		DRAWN BY: S.AUGUSTIN 07/22/11	CHECKER: K.BOUTIN 08/24/11
FOR PRODUCT INFO: http://www.burndy.com		DSN APPVL: K.BOUTIN 08/24/11	MFG APPVL: P.KEENAN 08/24/11
		QA APPVL: C.ACKERMAN 09/19/11	MKT APPVL: K.ROBICHEAU 08/24/11
		PROD FAM: Mechanical Grounding	DRAWING NO: 30018166
		PROJECT #: --	SIZE: D
		DOCUMENT TYPE: Sales	SCALE: 3:4
		REL LEVEL: Released	SHEET 1 OF 1

REV: PE0200