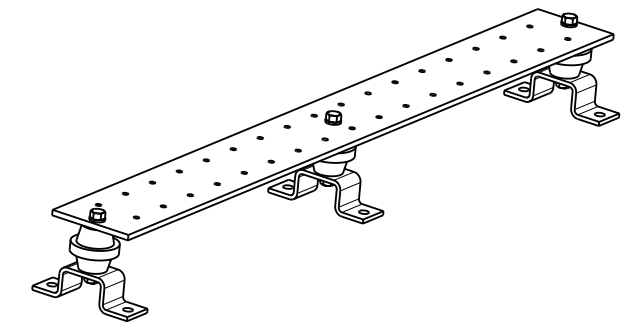
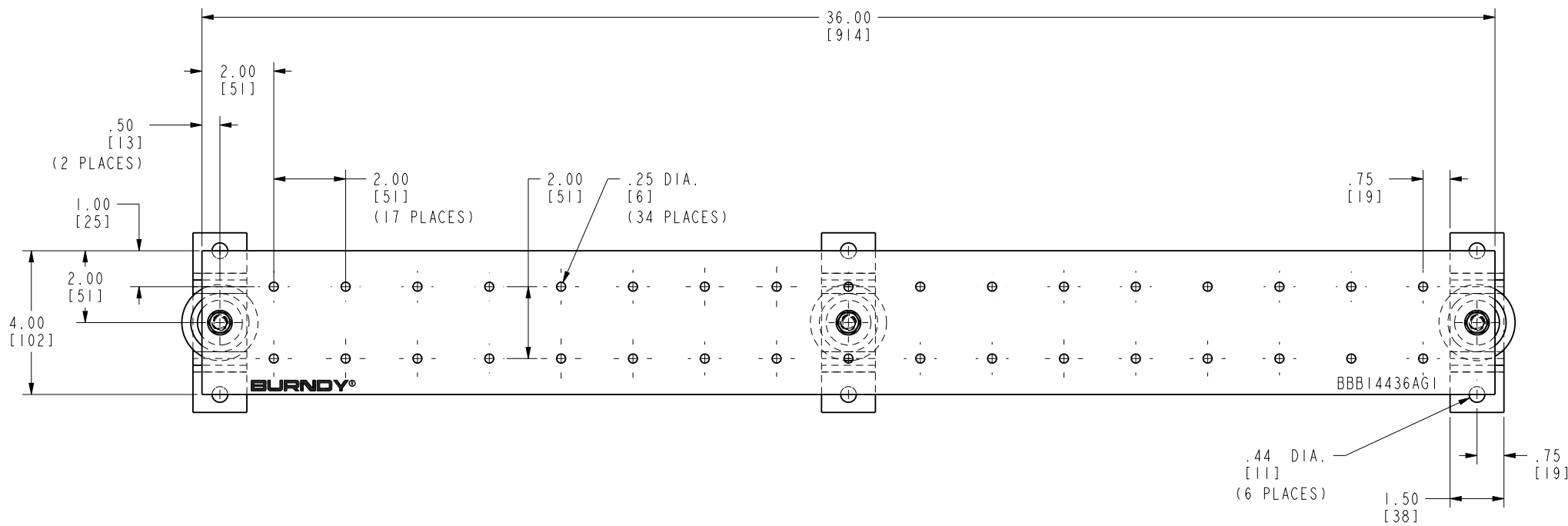
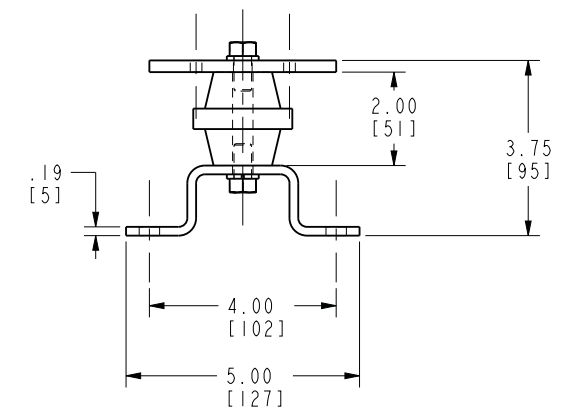
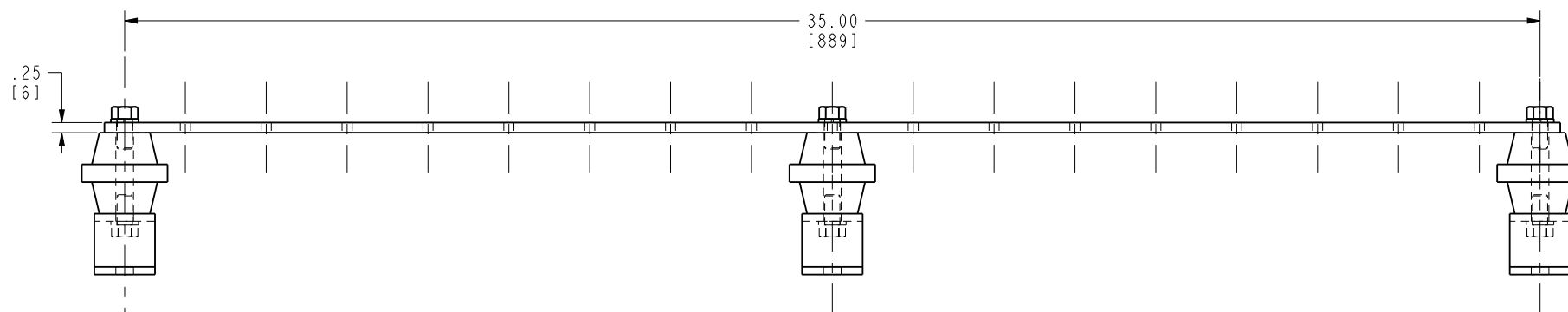


REV	DATE	DESCRIPTION	ECO	BY	C.H.K.
A	2011-07-25 09:00:00 EST	SALES DRAWING RELEASED	25156	BD	MA



3D VIEW



NOTES:

1. MATERIAL: BUS BAR - COPPER
2. DIMENSIONS IN BRACKETS [] ARE IN MILLIMETERS ROUNDED OFF TO THE NEAREST MILLIMETER, UNLESS OTHERWISE NOTED AND ARE FOR REFERENCE ONLY.
3. THIS CATALOG NUMBER INCLUDES ONE BUS BAR, THREE INSULATORS, THREE MOUNTING BRACKETS, SIX MOUNTING BOLTS AND SIX LOCK WASHERS.

TO ORDER BURNDY® PRODUCTS CALL		BUS BAR KIT	
UNITED STATES		ITEM NO:	30017739
1-800-346-4175 (LONDONDERRY, NH)		CAT. NO:	BBB14436AG1
CANADA:		DRAWN BY:	B. DURAICHAMY 07/25/11
1-800-361-6975 (QUEBEC)		CHECKER:	K. BOUTIN 08/12/11
1-800-387-6487 (ALL OTHER PROVINCES)		DSN APPVL:	K. BOUTIN 08/12/11
FOR PRODUCT INFO: http://www.burndy.com		MFG APPVL:	P. KEENAN 08/12/11
		QA APPVL:	C. ACKERMAN 08/17/11
		MKT APPVL:	K. ROBICHEAU 08/12/11
		PROD. FAM:	--
		PROJECT #:	--
		DOCUMENT TYPE:	Sales
		REL LEVEL:	Released
		SCALE:	1:1
		DRAWING NO:	30018228
		REV:	A
		SIZE:	D
		SHEET 1 OF 1	

REV: PE0200