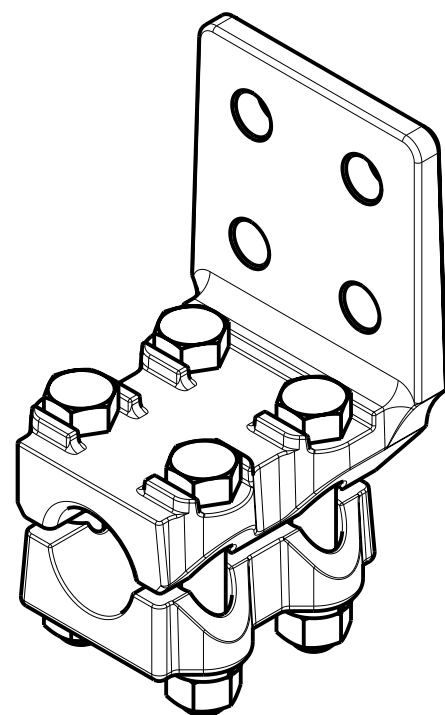
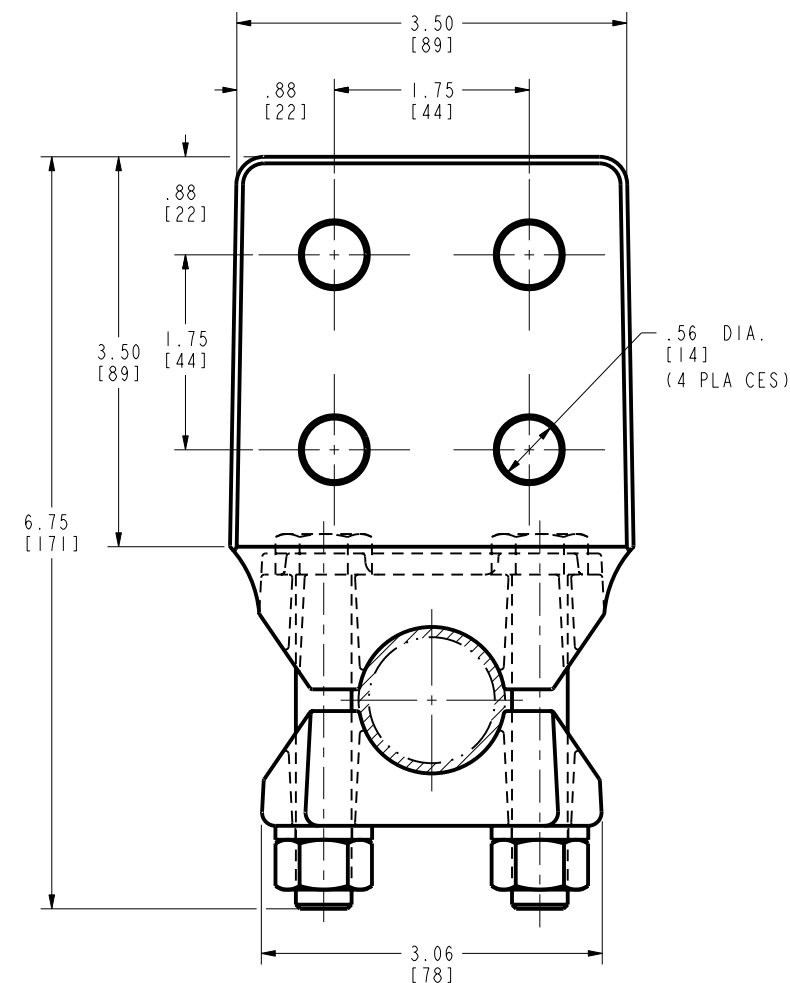
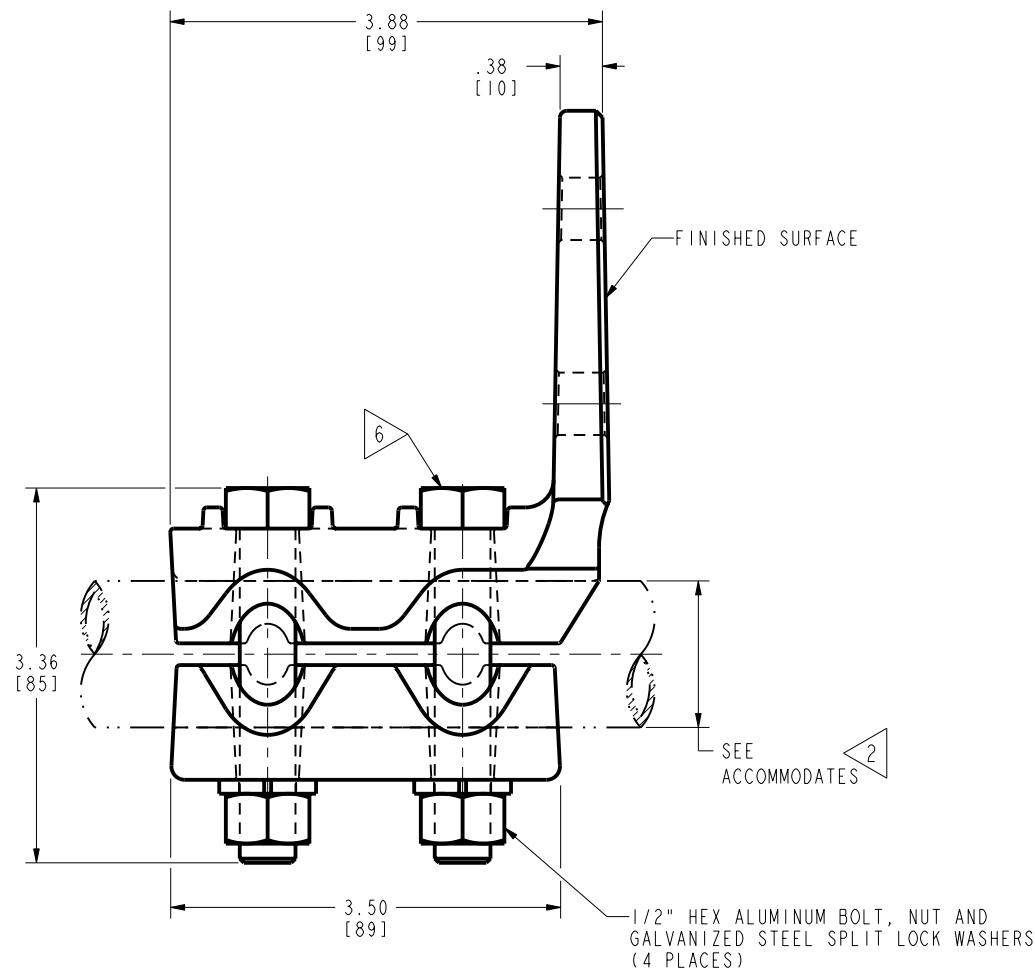


DRAWING NO.
30018943

REV	DATE	DESCRIPTION	ECO	BY	C'H'K.
A	01/02/2012 00:00:00 AM	CREATED SALES DOCUMENTATION FOR CAT. # NA15A4NCG3	26434	NG	NJS



SCALE 1:1
3D MODEL VIEW



NOTES:

- 1 MATERIAL:
BODY & CAP: CAST ALUMINUM ALLOY.
- 2 ACCOMMODATES: 1" I.P.S. (1.315 [33] DIA.) ALUMINUM TUBE
- 3 NOMINAL BOLT INSTALLATION TORQUE:
1/2" ALUMINUM HARDWARE - 300 LB-IN [35 Nm]
- 4 DIMENSIONS IN BRACKETS [] DENOTES METRIC UNITS [SI UNITS]
AND ARE ROUNDED TO THE NEAREST WHOLE NUMBER, UNLESS
OTHERWISE SPECIFIED THESE UNITS SHALL BE USED FOR
REFERENCE ONLY.
- 5 PENETROX™ NOTE: SCRATCH BRUSH CONNECTOR CONTACT SURFACE DRY,
THEN APPLY PENETROX™ A. PENETROX™ CAN BE PURCHASED FROM BURNDY
LLC, IN CANS OR PLASTIC SQUEEZE BOTTLES.
- 6 HEX BOLTS CAPTURED TO PREVENT TURNING DURING INSTALLATION.
- 7 MARKING:
BURNDY
NA15A4NCG3
722-23620
1" IPS AL

REV: PEO200

TO ORDER BURNDY® PRODUCTS CALL UNITED STATES 1-800-346-4175 (LONDONDERRY, NH) CANADA: 1-800-361-6975 (QUEBEC) 1-800-387-6487 (ALL OTHER PROVINCES) FOR PRODUCT INFO: http://www.burndy.com		WELDMENT HEPC PAD	
		ITEM NO: 27013463	SCALE: 1:1
CAT. NO: NA15A4NCG3		PROJ. NO: 30018943	REV: A
DRAWN BY: M GOWRI	08/17/11		
CHECKER: --	--		
DSN APPVL: R LAVOIE	01/13/12		
MFG APPVL: T WAWRZYNIAK	01/13/12		
QA APPVL: J HILLMAN	01/13/12	MKT APPVL: V TORRES 01/14/12	
PROJ. NO: 30018943	SIZE: D	SHEET 1 OF 1	