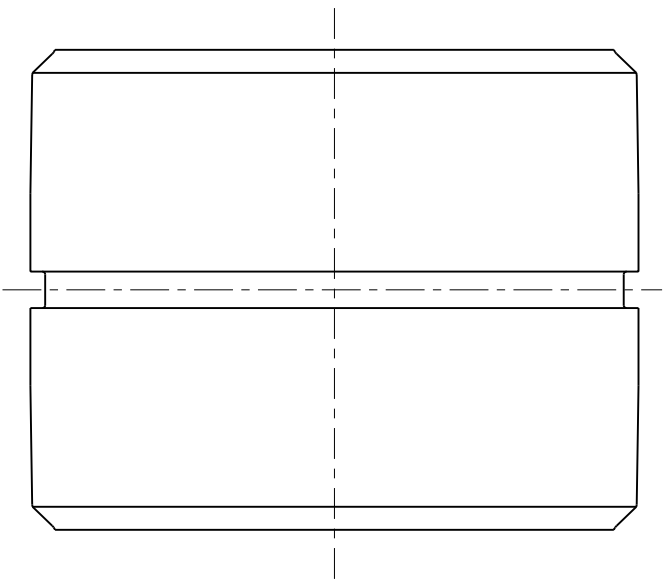
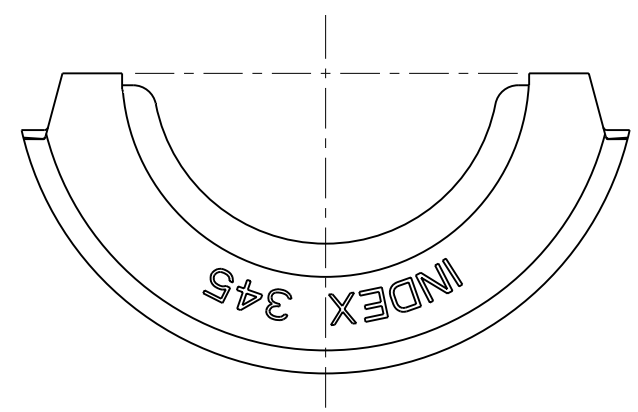
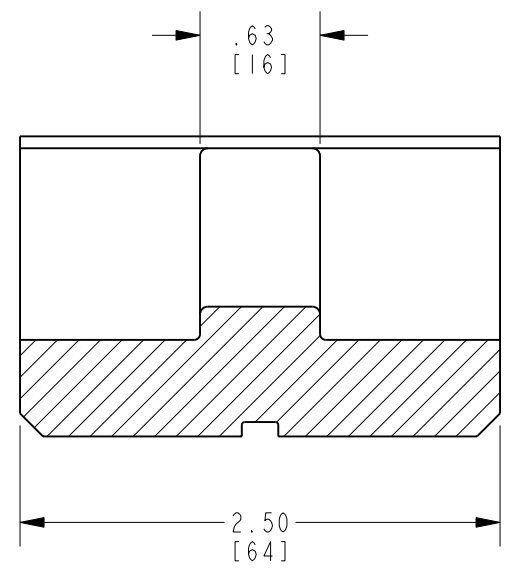
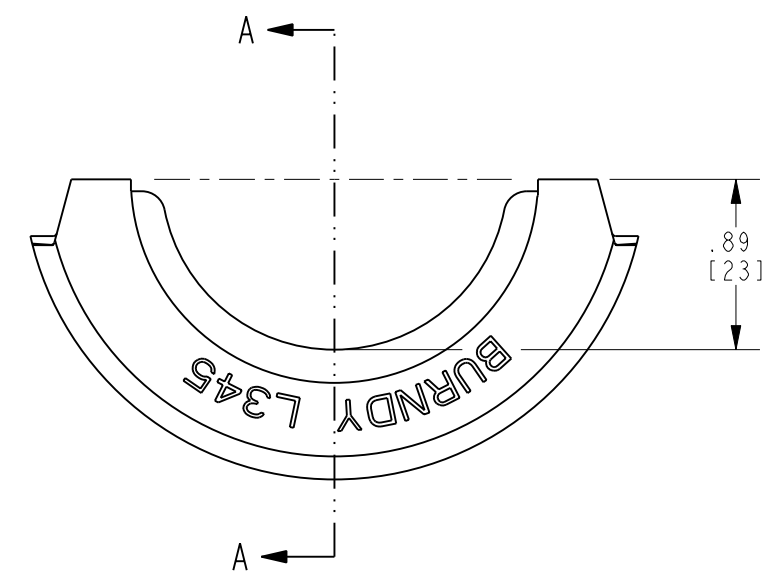


REV.	DATE	DESCRIPTION	ECO	BY	C'H'K.
A	12/16/2011 00:00:00 AM	RELEASE NEW SALES DRAWING	25916	RM	JG



SECTION A-A

NOTES:

1. MATERIAL: STAINLESS STEEL.
1. DIMENSIONS IN BRACKETS [] ARE IN MILLIMETERS, ROUNDED TO THE NEAREST MILLIMETER, AND ARE FOR REFERENCE ONLY.
3. FOR USE IN BURNDY Y60BH AND Y60BHU.
4. DIE INSPECTION GAGE CATALOG NUMBER: CONSULT FACTORY.

TO ORDER BURNDY® PRODUCTS CALL
 UNITED STATES:
 1-800-346-4175 (LONDONDERRY, NH)
 CANADA:
 1-800-361-6975 (QUEBEC)
 1-800-387-6487 (ALL OTHER PROVINCES)
 FOR PRODUCT INFO: <http://www.burndy.com>

CIRCULAR BUTTING TWIN DIE		DRAWING NO	REV
ITEM NO: 455345		30019836	A
CAT. NO: L345			
DRAWN BY: R MURUGESAN 12/21/2011			
CHECKER: --			
DSN APPVL: --			
MFG APPVL: --			
QA APPVL: --			
MKT APPVL: --			
PROD FAM: TOOLS_HYDRAULIC/L_DIES	SCALE: 1:1		
PROJECT #: --	SIZE		
DOCUMENT TYPE: Production	B		
REL LEVEL: Released			



REV: PE0200