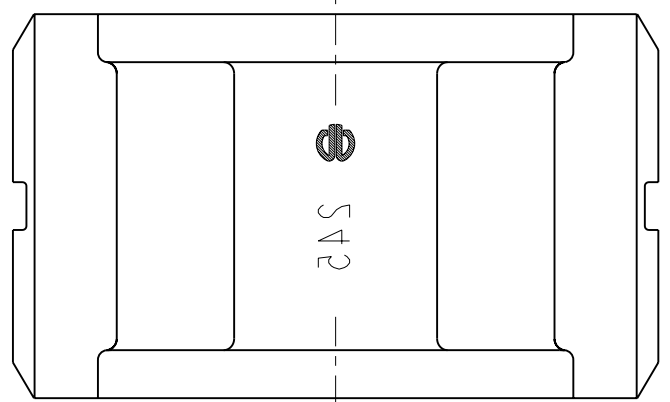
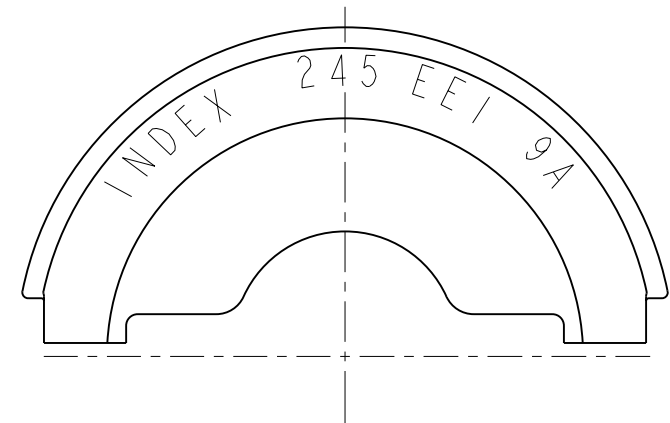
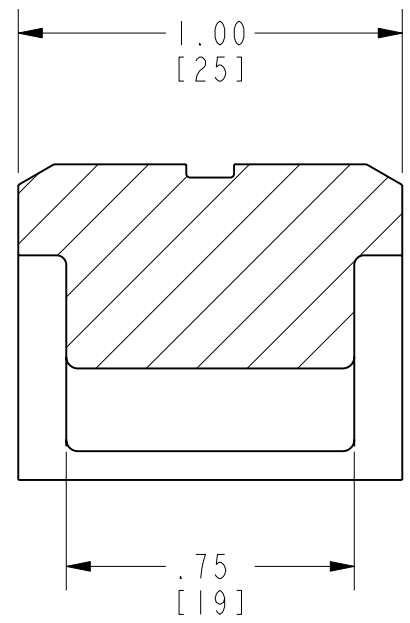
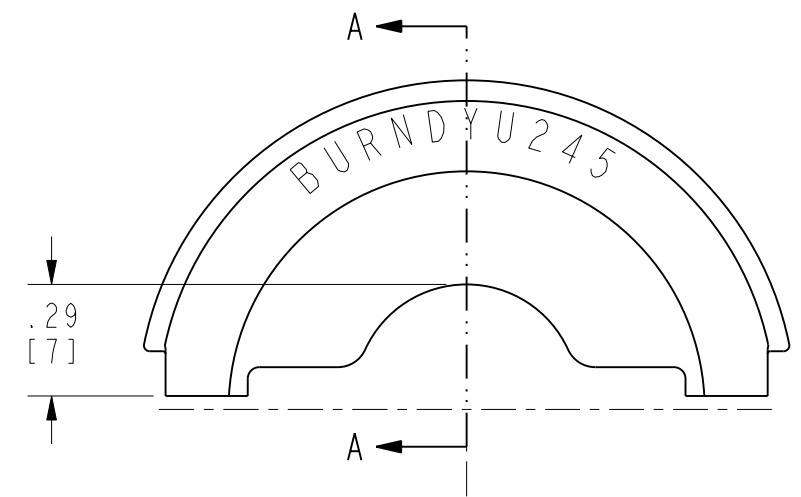


REV.	DATE	DESCRIPTION	ECO	BY	C'H'K.
A	11/11/2001 00:00:00 AM	NEW SALES DRAWING RELEASE	26107	DD	JG



SECTION A-A

NOTES:

1. DIMENSIONS IN BRACKETS [ ] ARE IN MILLIMETERS ROUNDED OFF TO THE NEAREST MILLIMETER, UNLESS OTHERWISE SPECIFIED, AND ARE FOR REFERENCE ONLY.
2. DIE INSPECTION GAUGE CATALOG NUMBER (CUSTOMER & ENGINEERING USE ONLY): CONSULT FACTORY.
3. MATERIAL: STAINLESS STEEL

TO ORDER BURNDY® PRODUCTS CALL  
 UNITED STATES:  
 1-800-346-4175 (LONDONDERRY, NH)  
 CANADA:  
 1-800-361-6975 (QUEBEC)  
 1-800-387-6487 (ALL OTHER PROVINCES)  
 FOR PRODUCT INFO: <http://www.burndy.com>

CIRCULAR BUTTING TWIN DIE		SCALE: NTS
ITEM NO: 420245		DRAWING NO
CAT. NO: U245		
DRAWN BY: D DHEENA	11/11/2011	REV
CHECKER: P. WASON	11/10/2011	
DSN APPVL: P. WASON	11/10/2011	30019837
MFG APPVL: --	--	
QA APPVL: J. BRODEUR	11/10/2011	A
MKT APPVL: R. POIRIER	11/18/2011	
PROD FAM: Tools-Hydraulic/U.Dies	SIZE	SHEET 1 OF 1
PROJECT #: --	B	
DOCUMENT TYPE: Sales		
REL LEVEL: Released		

REV: PE0200