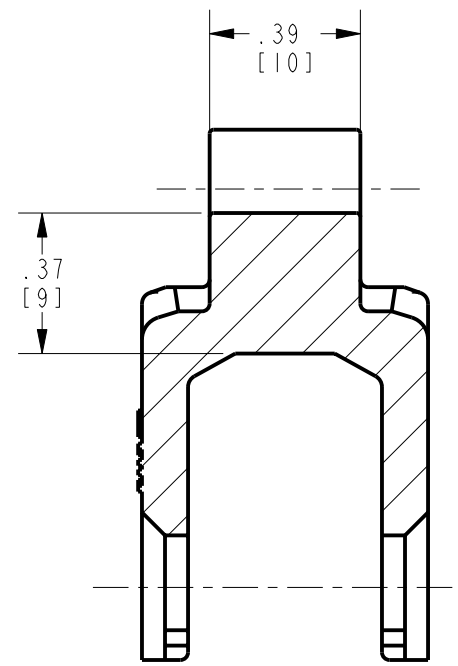
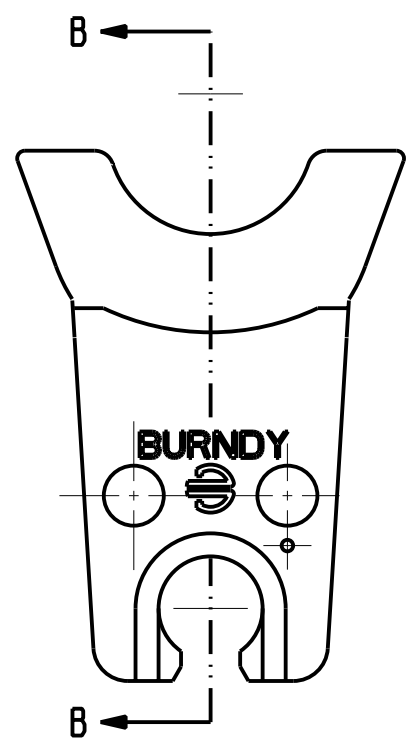
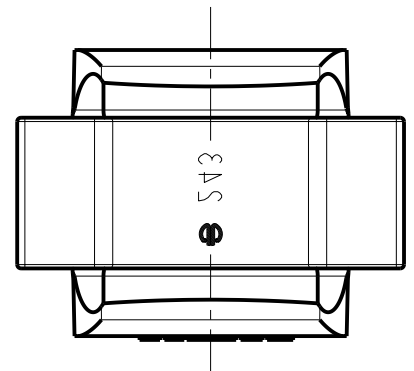
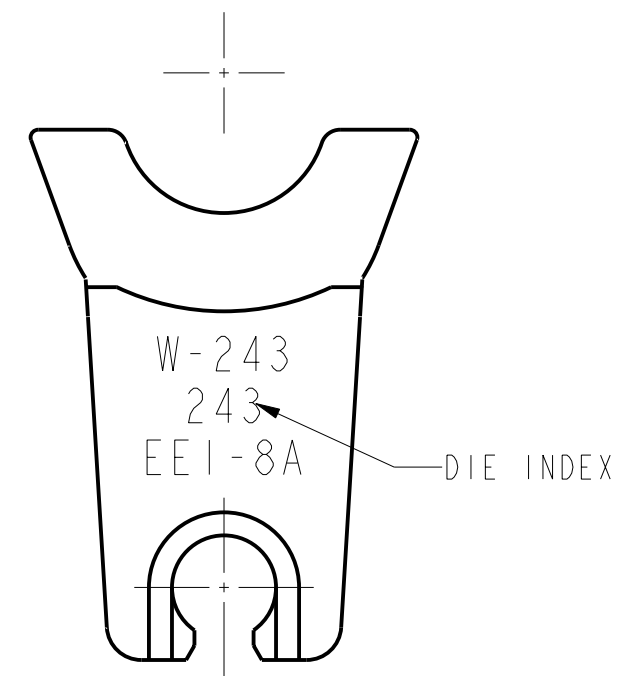


REV.	DATE	DESCRIPTION	ECO	BY	C'H'K.
B	01/27/2014 00:00:00 AM	UPDATED AS PER MU	34285	MVP	MB



SECTION B-B



NOTES:

- DIMENSIONS IN BRACKETS [] ARE IN MILLIMETERS ROUNDED OFF TO THE NEAREST MILLIMETER, UNLESS OTHERWISE SPECIFIED, AND ARE FOR REFERENCE ONLY.
- MATERIAL: STAINLESS STEEL
- DIE GAGE CAT NO. WPG243

TO ORDER BURNDY® PRODUCTS CALL
 UNITED STATES:
 1-800-346-4175 (LONDONDERRY, NH)
 CANADA:
 1-800-361-6975 (QUEBEC)
 1-800-387-6487 (ALL OTHER PROVINCES)
 FOR PRODUCT INFO: <http://www.burndy.com>

W-DIES (MD6 HYTOOL)	
ITEM NO: --	
CAT. NO: W243	
DRAWN BY: I. ANBALAGAN 09/27/11	
CHECKER: L. BROWN 10/03/11	
DSN APPVL: L. BROWN 10/03/11	
MFG APPVL: --	
QA APPVL: J. BRODEUR 09/30/11	
MKT APPVL: R. POIRIER 09/29/11	
PROD FAM: TOOLS_MECHANICAL	SCALE: 1:1
PROJECT #: --	DRAWING NO
DOCUMENT TYPE: Sales	30020242
REL LEVEL: Released	B
	SHEET 1 OF 1

REV: PE0200