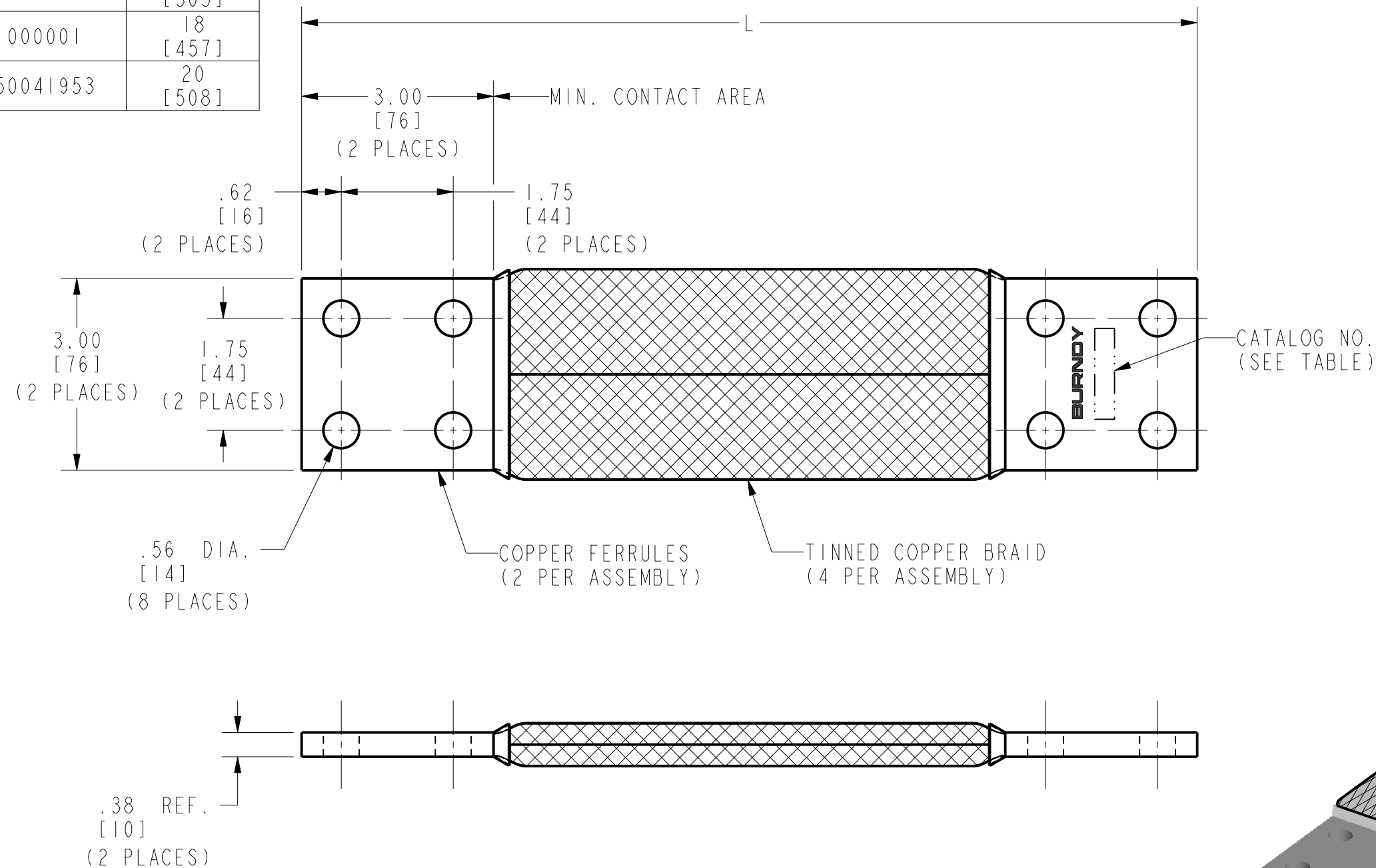


| CATALOG NO. | ITEM NO. | LENGTH (L) |
|-------------|----------|-------------|
| B22E144N | 30017894 | 14 [356] |
| B22E124N | 332240 | 12 [305] |
| B22E184N | 000001 | 18 [457] |
| B22E204N | 50041953 | 20 [508] |

| REV. | DATE | DESCRIPTION | ECO | BY | C'H'K. |
|------|------------------------|---------------|-------|-----|--------|
| C | 06/18/2014 00:00:00 AM | FOCUS REQUEST | 36561 | BSB | VK |



NOTES:

1. APPROXIMATE AMP RATING: 800A. THIS RATING MAY VARY WITH AMBIENT CONDITIONS, ORIENTATION OF THE BRAID AND OTHER SERVICE CONDITIONS.
2. DIMENSIONS IN BRACKETS [] ARE IN MILLIMETERS ROUNDED OFF TO THE NEAREST MILLIMETER, UNLESS OTHERWISE NOTED AND ARE FOR REFERENCE ONLY.
3. CAN BE ORDERED WITH UNDRILLED FERRULES BY ADDING SUFFIX "U".

| | | | |
|---|--|--------------------------------|--|
| TO ORDER BURNDY® PRODUCTS CALL | | BRAID | |
| UNITED STATES: 1-800-346-4175 (LONDONDERRY, NH) | | ITEM NO: (SEE TABLE) | |
| CANADA: 1-800-361-6975 (QUEBEC) 1-800-387-6487 (ALL OTHER PROVINCES) | | CAT. NO: B22E--4N (SEE TABLE) | |
| FOR PRODUCT INFO: http://www.burndy.com | | DRAWN BY: S.AUGUSTIN 10/10/11 | |
| | | CHECKER: E.MARTIN 10/17/11 | |
| | | DSN APPVL: E.MARTIN 10/17/11 | |
| | | MFG APPVL: -- | |
| | | QA APPVL: A.PINEDA 10/19/11 | |
| | | MKT APPVL: P.THERRIEN 10/17/11 | |
| | | PROJ FAM: MECHANICAL GROUNDING | |
| | | PROJECT #: -- | |
| | | DOCUMENT TYPE: Sales | |
| | | REL LEVEL: Released | |
| | | SCALE: 1:1 | |
| | | DRAWING NO | |
| | | REV | |
| | | SIZE | |
| | | 30020726 | |
| | | SHEET 1 OF 1 | |
| | | C | |

REV: PE0200