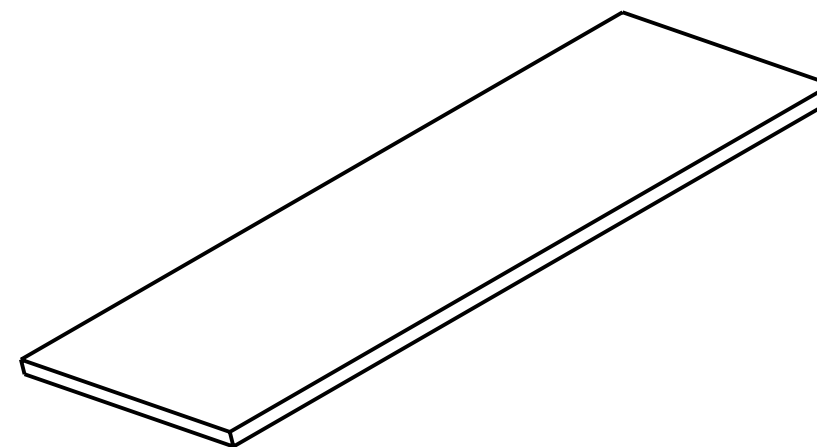
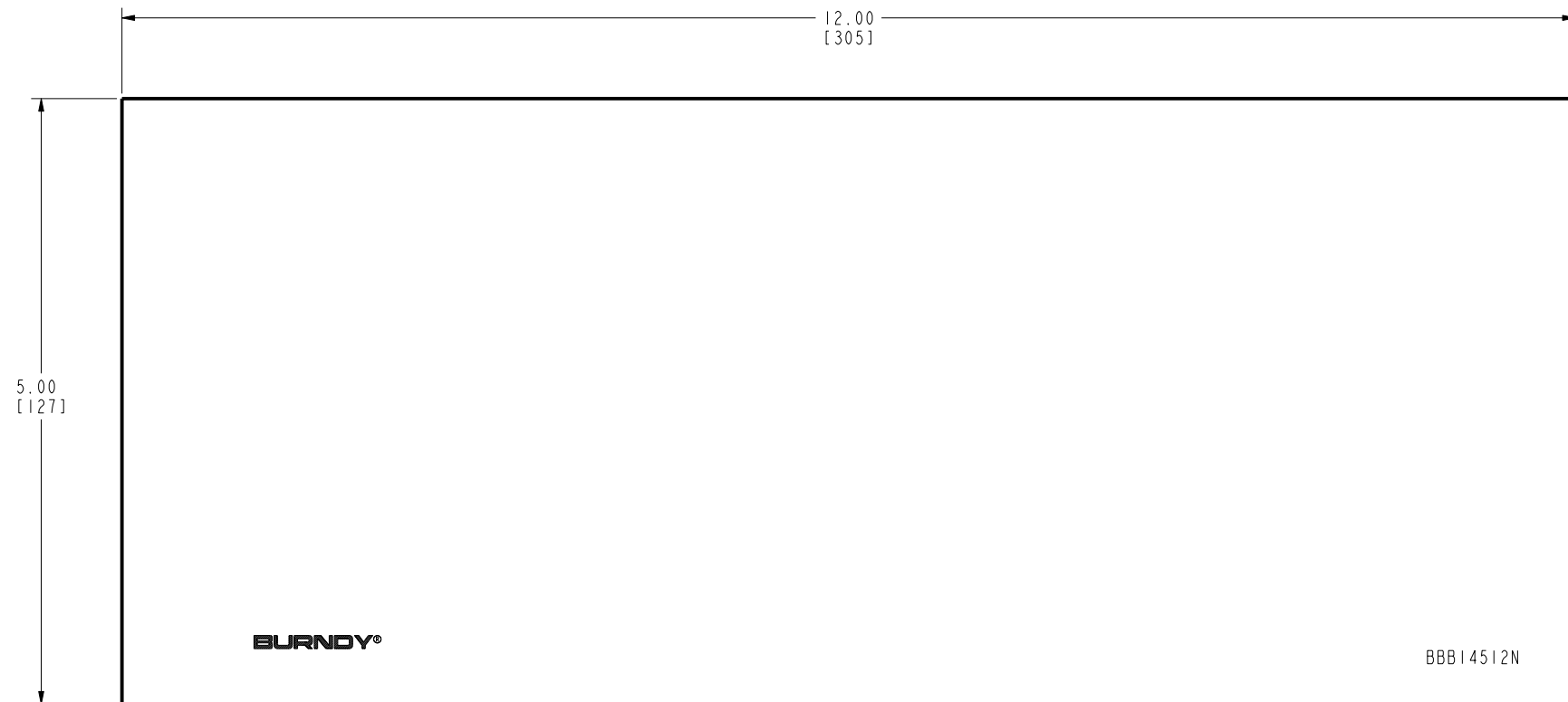
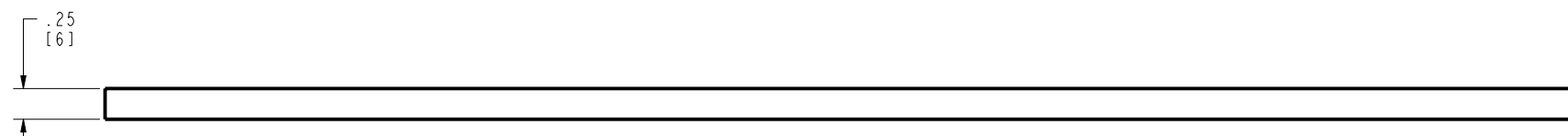


DRAWING NO.  
30020862

REV	DATE	DESCRIPTION	ECO	BY	C'H'K.
A	10/13/2011 23:30:00 PM	FOCUS REQUEST FOR CAT. # BBB14512N	25870	BSB	MA



3D VIEW



NOTES:

1. MATERIAL: BUS BAR - COPPER.
2. DIMENSIONS IN BRACKETS [ ] ARE IN MILLIMETERS ROUNDED OFF TO THE NEAREST MILLIMETER, UNLESS OTHERWISE NOTED, AND ARE FOR REFERENCE ONLY.

REV: PE0200

TO ORDER BURNDY® PRODUCTS CALL		BUSBAR1/4X5X12	
UNITED STATES		ITEM NO: 30017898	
1-800-346-4175 (LONDONDERRY, NH)		CAT. NO: BBB14512N	
CANADA:		DRAWN BY: B.SURESH BABU 10/13/11	
1-800-361-6975 (QUEBEC)		CHECKER: B.KRIS 10/14/11	
1-800-387-6487 (ALL OTHER PROVINCES)		DSN APPVL: B.KRIS 10/14/11	
FOR PRODUCT INFO: <a href="http://www.burndy.com">http://www.burndy.com</a>		MFG APPVL: K.PETER 10/15/11	
		QA APPVL: C.ACKERMAN 10/25/11	
		MKT APPVL: R.KATHLEEN 10/17/11	SCALE: 3:4
PROD FAM: Mechanical Grounding	DRAWING NO	REV	
PROJECT #: --	SIZE	30020862	A
DOCUMENT TYPE: Sales	REL LEVEL: Released	SHEET 1 OF 1	