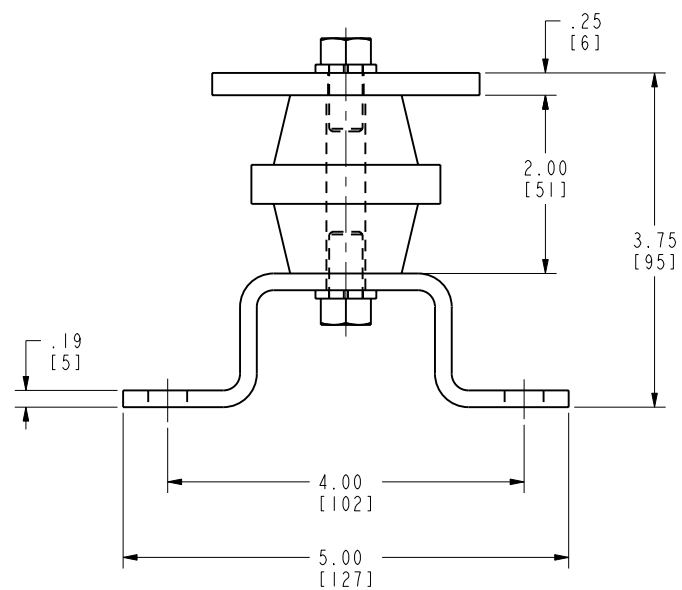
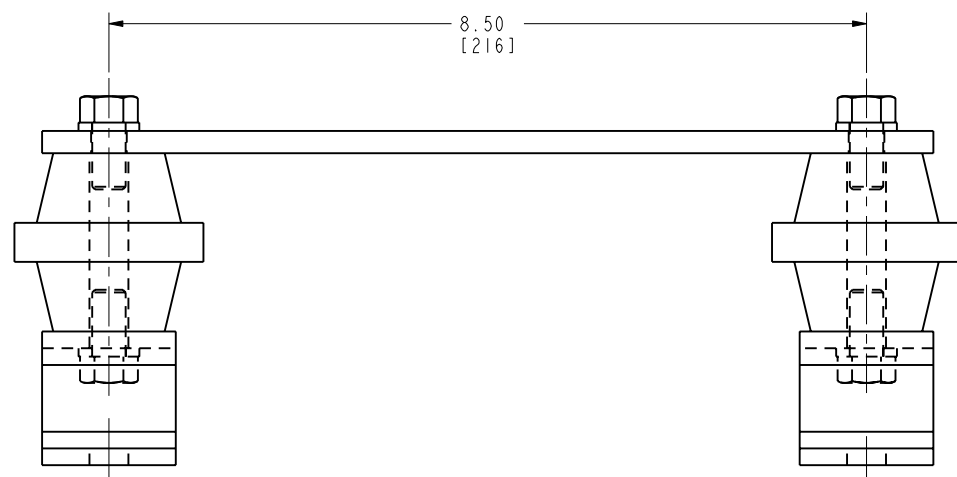
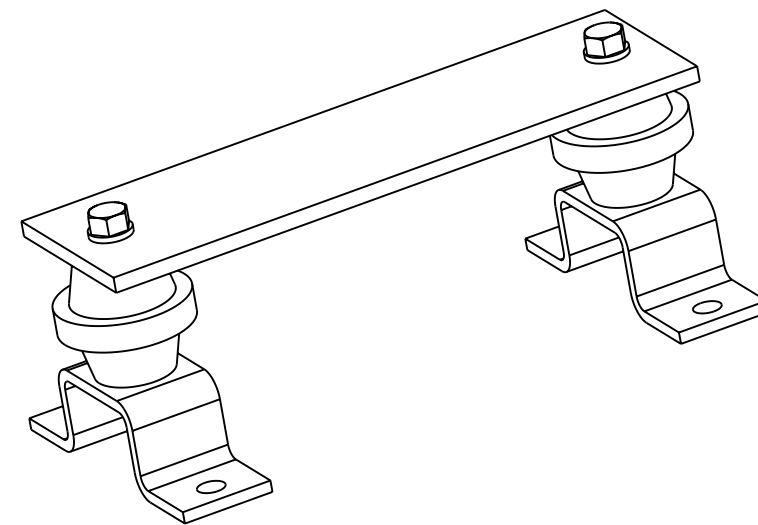
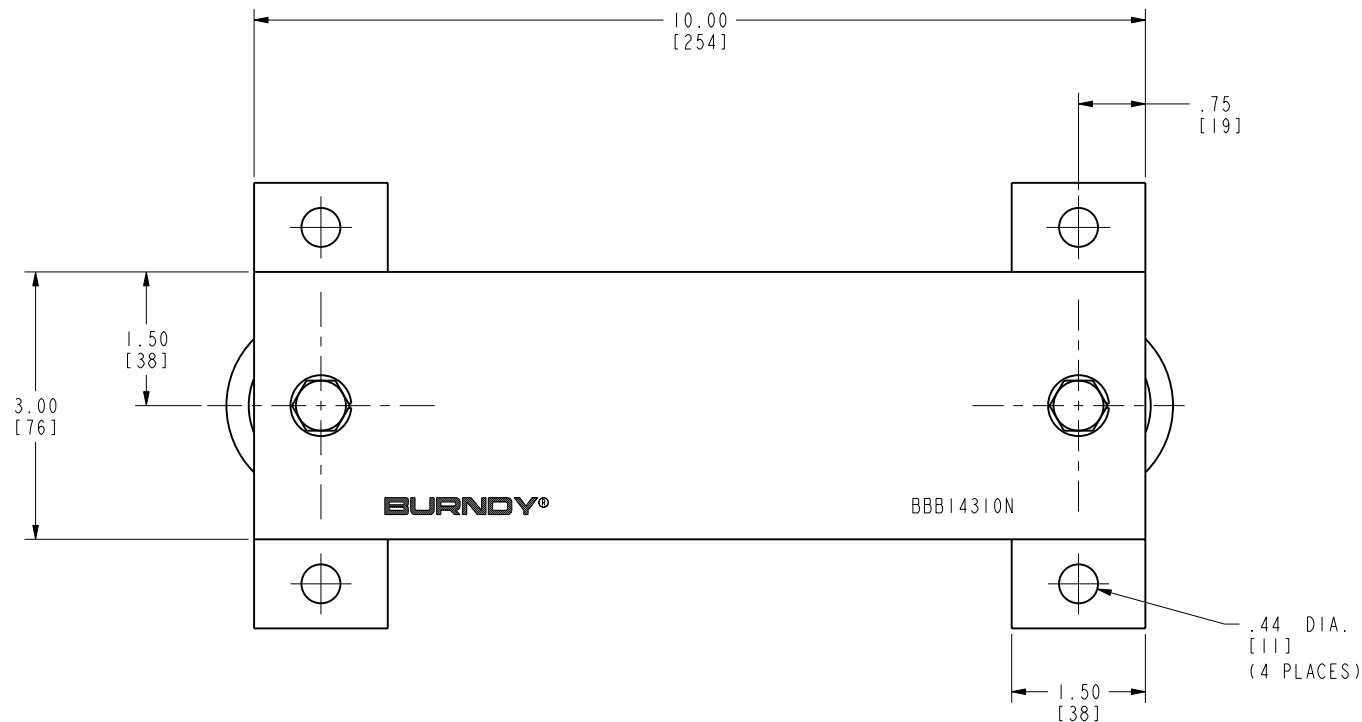


DRAWING NO.  
30021536

REV	DATE	DESCRIPTION	ECO	BY	C'H'K.
A	02/15/2012 00:00:00 AM	CREATE SALES DWG.	26762	TM	MA



NOTES:

1. MATERIAL: BUSBAR - COPPER
2. DIMENSIONS IN BRACKETS [ ] ARE IN MILLIMETERS ROUNDED OFF TO THE NEAREST MILLIMETER, UNLESS OTHERWISE NOTED, AND ARE FOR REFERENCE ONLY.
3. THIS CATALOG NUMBER INCLUDES ONE BUSBAR, TWO INSULATOR, TWO MOUNTING BRACKETS, FOUR MOUNTING BOLTS AND FOUR LOCK WASHERS.

TO ORDER BURNDY® PRODUCTS CALL		BUSBAR KIT	
UNITED STATES		ITEM NO: 30024925	
1-800-346-4175 (LONDONDERRY, NH)		CAT. NO: BBB14310N	
CANADA:		DRAWN BY: M.THAMARAI 02/14/12	
1-800-387-6487 (ALL OTHER PROVINCES)		CHECKER: K BOUTIN 02/21/12	
FOR PRODUCT INFO: <a href="http://www.burndy.com">http://www.burndy.com</a>		DSN APPVL: K BOUTIN 02/21/12	
		MFG APPVL: --	
		QA APPVL: C ACKERMAN 03/06/12	
		MKT APPVL: K ROBICHEAU 02/21/12	
		PROJ #: --	
		PROJ FAM: MECHANICAL GROUNDING	SCALE: 1:1
		DOCUMENT TYPE: Sales	DRAWING NO: 30021536
		REL LEVEL: Released	REV: A
		SIZE: D	SHEET 1 OF 1

REV: PE0200