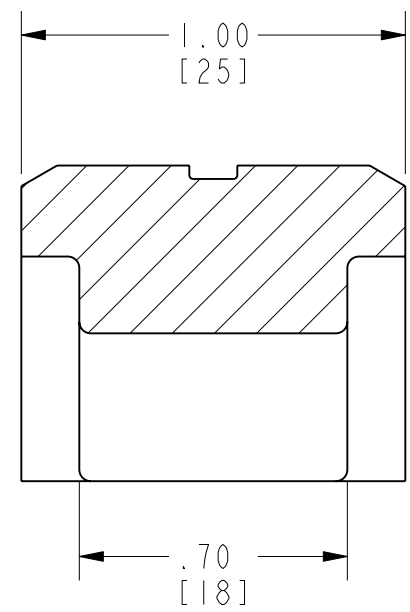
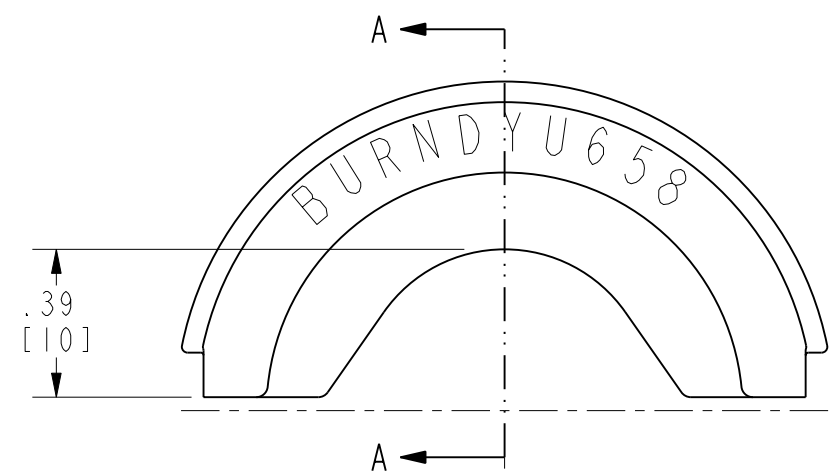
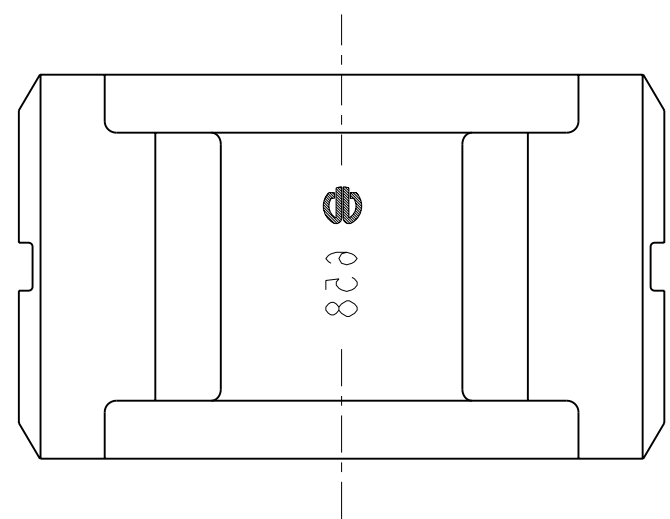
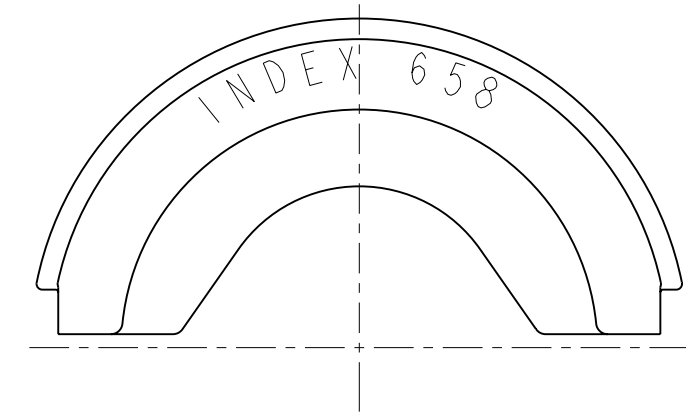


REV.	DATE	DESCRIPTION	ECO	BY	C'H'K.
A	11/11/2011 00:00:00 AM	NEW SALES DRAWING RELEASED.	26107	DD	JG



SECTION A-A



NOTES:

1. DIMENSIONS IN BRACKETS [] ARE IN MILLIMETERS ROUNDED OFF TO THE NEAREST MILLIMETER, UNLESS OTHERWISE SPECIFIED, AND ARE FOR REFERENCE ONLY.
2. DIE INSPECTION GAUGE CATALOG NUMBER (CUSTOMER & ENGINEERING USE ONLY): CONSULT FACTORY.
3. MATERIAL: STAINLESS STEEL

TO ORDER BURNDY® PRODUCTS CALL
 UNITED STATES:
 1-800-346-4175 (LONDONDERRY, NH)
 CANADA:
 1-800-361-6975 (QUEBEC)
 1-800-387-6487 (ALL OTHER PROVINCES)
 FOR PRODUCT INFO: <http://www.burndy.com>

CIRCULAR BUTTING TWIN DIES			
ITEM NO: 420658			
CAT. NO: U658			
DRAWN BY: D.DHEENA	11/11/2011		
CHECKER: P.WASON	11/10/2011		
DSN APPVL: P.WASON	11/10/2011		
MFG APPVL: --	--		
QA APPVL: J.BRODEUR	11/10/2011		
MKT APPVL: R.POIRIER	11/18/2011		
PROD FAM: Tools_Hydraulic/U_Dies		SCALE: NTS	
PROJECT #: --	SIZE	DRAWING NO	REV
DOCUMENT TYPE: Sales	B	30022157	A
REL LEVEL: Released		SHEET 1 OF 1	

REV: PE0200