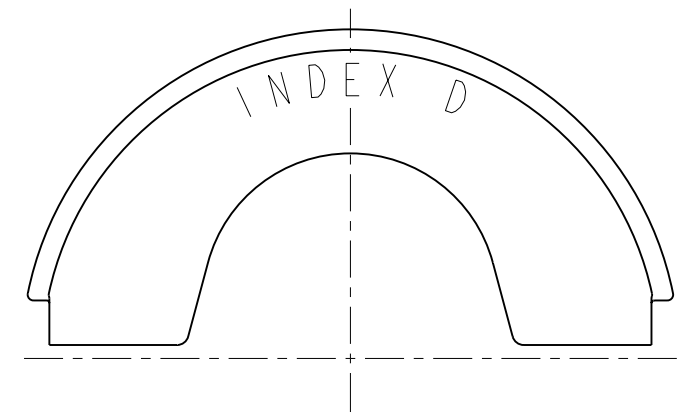
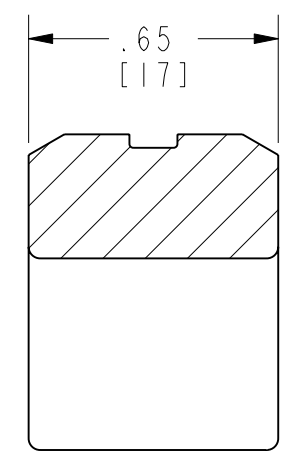
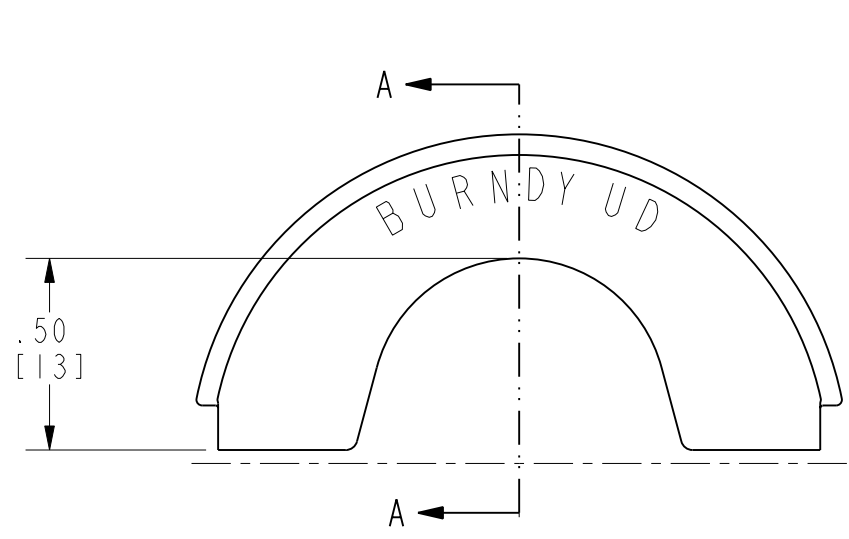
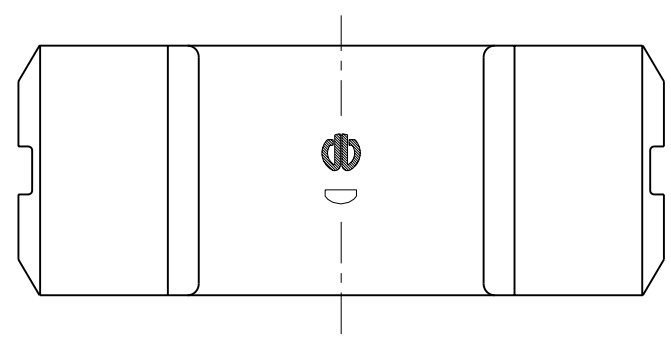


REV.	DATE	DESCRIPTION	ECO	BY	C'H'K.
A	11/11/2011 00:00:00 AM	NEW SALES DRAWING RELEASE	26107	DD	JG



SECTION A-A



NOTES:

1. DIMENSIONS IN BRACKETS [] ARE IN MILLIMETERS ROUNDED OFF TO THE NEAREST MILLIMETER, UNLESS OTHERWISE SPECIFIED, AND ARE FOR REFERENCE ONLY.
2. DIE INSPECTION GAUGE CATALOG NUMBER (CUSTOMER & ENGINEERING USE ONLY): CONSULT FACTORY.
3. MATERIAL: STAINLESS STEEL

TO ORDER BURNDY® PRODUCTS CALL
 UNITED STATES:
 1-800-346-4175 (LONDONDERRY, NH)
 CANADA:
 1-800-361-6975 (QUEBEC)
 1-800-387-6487 (ALL OTHER PROVINCES)
 FOR PRODUCT INFO: <http://www.burndy.com>

T-TAP RADIAL BUTTING TWIN DIES		SCALE: NTS
ITEM NO: 420008		
CAT. NO: UD		
DRAWN BY: D DHEENA	11/11/2011	
CHECKER: P. WASON	11/10/2011	
DSN APPVL: P. WASON	11/10/2011	
MFG APPVL: --	--	
QA APPVL: J. BRODEUR	11/10/2011	
MKT APPVL: R. POIRIER	11/18/2011	
PROD FAM: Tools_Hydraulic/U_Dies		DRAWING NO
PROJECT #: --	SIZE	30022159
DOCUMENT TYPE: Sales	B	REV
REL LEVEL: Released		A
		SHEET 1 OF 1

REV: PE0200