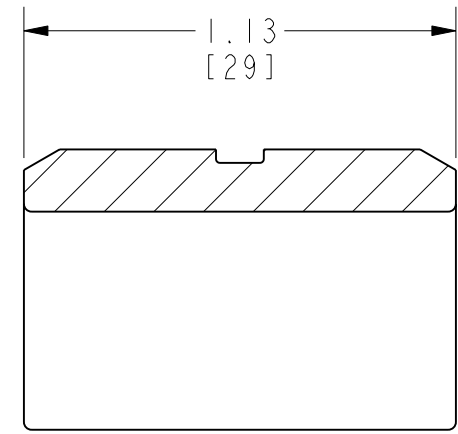
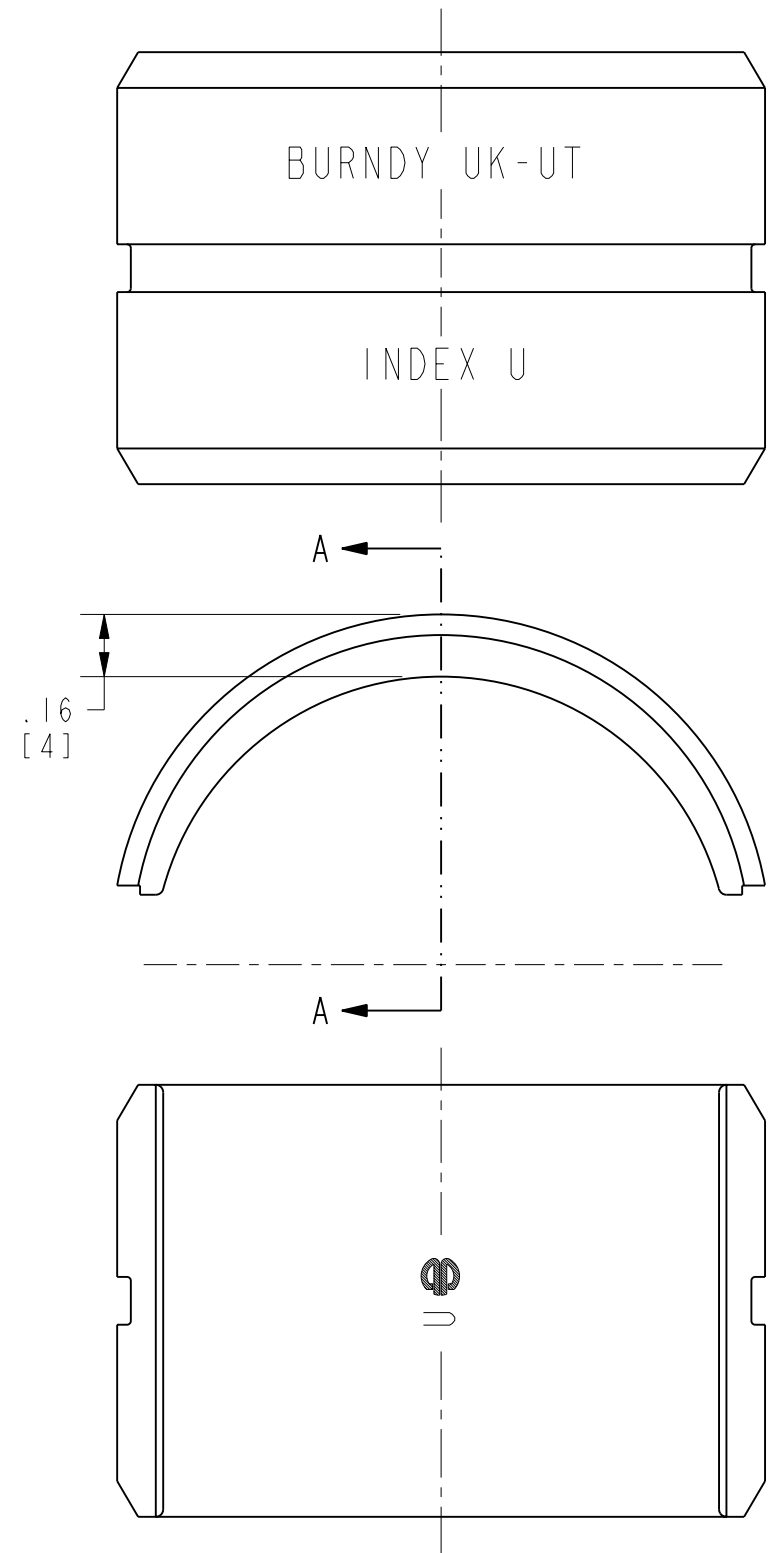
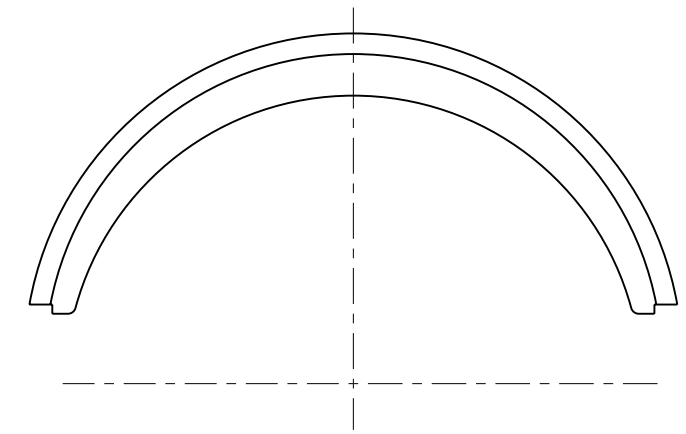


REV.	DATE	DESCRIPTION	ECO	BY	C'H'K.
A	11/11/2011 00:00:00 AM	NEW SALES DRAWING RELEASE	26107	DD	JG



SECTION A-A



NOTES:

1. DIMENSIONS IN BRACKETS [] ARE IN MILLIMETERS ROUNDED OFF TO THE NEAREST MILLIMETER, UNLESS OTHERWISE SPECIFIED, AND ARE FOR REFERENCE ONLY.
2. DIE INSPECTION GAUGE CATALOG NUMBER (CUSTOMER & ENGINEERING USE ONLY): CONSULT FACTORY.
3. MATERIAL: STAINLESS STEEL

TO ORDER BURNDY® PRODUCTS CALL
 UNITED STATES:
 1-800-346-4175 (LONDONDERRY, NH)
 CANADA:
 1-800-361-6975 (QUEBEC)
 1-800-387-6487 (ALL OTHER PROVINCES)
 FOR PRODUCT INFO: <http://www.burndy.com>

CIRCULAR NON-BUTTING TWIN DIES			
ITEM NO: 420195			
CAT. NO: UKUT			
DRAWN BY:	D.DHEENA	11/11/2011	BURNDY
CHECKER:	P.WASON	11/10/2011	
DSN APPVL:	P.WASON	11/10/2011	
MFG APPVL:	--	--	
QA APPVL:	J.BRODEUR	11/10/2011	
MKT APPVL:	R.POIRIER	11/18/2011	SCALE: NTS
PROD FAM:	Tools_Hydraulic/U_Dies	DRAWING NO	REV
PROJECT #:	--	30022160	A
DOCUMENT TYPE:	Sales	SHEET 1 OF 1	
REL LEVEL:	Released		

REV: PE0200