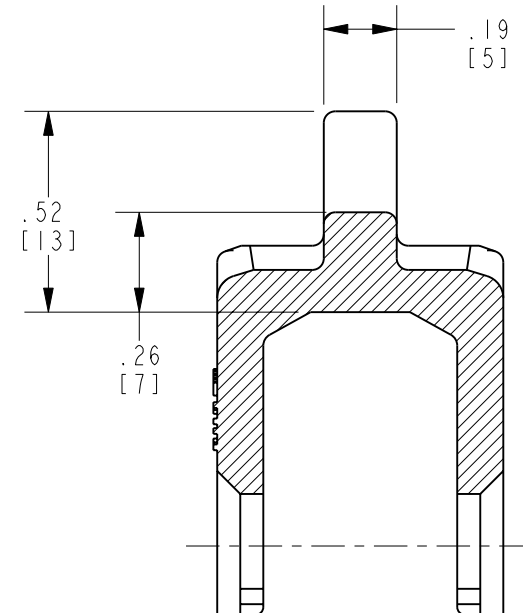
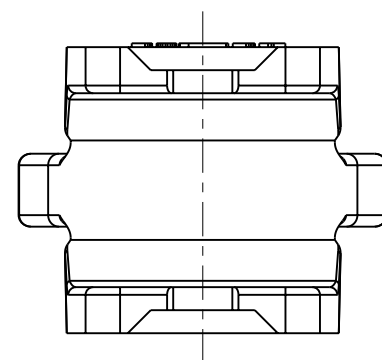
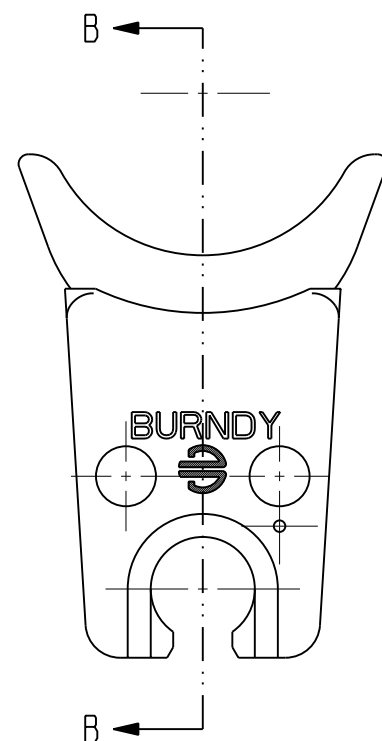
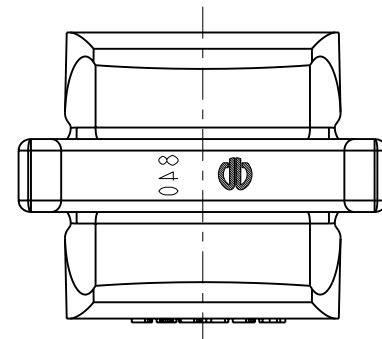
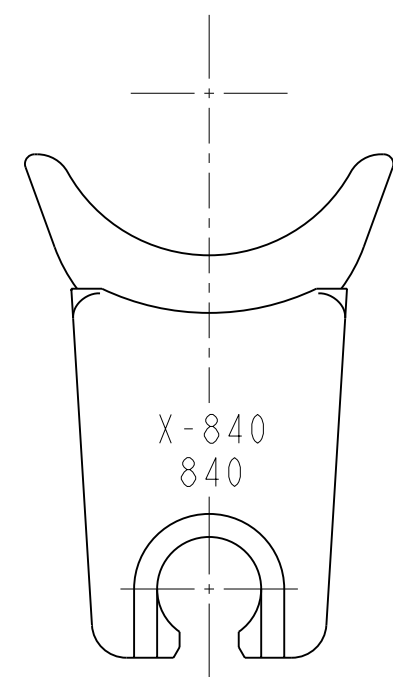


REV.	DATE	DESCRIPTION	ECO	BY	C'H'K.
A	12/02/2011 00:00:00 AM	RELEASE NEW SALES DRAWING	26286	RM	JG



SECTION B-B



NOTES:

1. MATERIAL: STAINLESS STEEL
2. DIMENSIONS IN BRACKETS [ ] ARE IN MILLIMETERS, ROUNDED TO THE NEAREST MILLIMETERS AND ARE FOR REFERENCE ONLY.
3. DIE INSPECTION GAGE CATALOG NUMBER: (CONSULT FACTORY).

TO ORDER BURNDY® PRODUCTS CALL  
 UNITED STATES:  
 1-800-346-4175 (LONDONDERRY, NH)  
 CANADA:  
 1-800-361-6975 (QUEBEC)  
 1-800-387-6487 (ALL OTHER PROVINCES)  
 FOR PRODUCT INFO: <http://www.burndy.com>

X-DIES (OUR840)		SCALE: 1:1
ITEM NO: 472014		DRAWING NO
CAT. NO: X840		
DRAWN BY: MURUGESAN R 12/02/2011		REV
CHECKER: --		
DSN APPVL: --		30022169
MFG APPVL: --		
QA APPVL: --		A
MKT APPVL: --		
PROD FAM: TOOLS_MECHANICAL/W_DIES	SIZE	SHEET 1 OF 1
PROJECT #: --	B	
DOCUMENT TYPE: Production		
REL LEVEL: Released		

REV: PE0200