

UNIRAP™ NYLON WITH STAINLESS STEEL BARB						STANDARD PACKAGE BAG SIZE FOR PLANOGRAM PURPOSES						
STANDARD PACKAGE			BULK PACKAGE			DESCRIPTION					BAG LENGTH (INCHES)	BAG WIDTH (INCHES)
ITEM NUMBER	CATALOG NUMBER	STD PKG QTY	ITEM NUMBER	CATALOG NUMBER	BULK QTY	COLOR	MAX BUNDLE DIA INCH/[MM]	LENGTH INCH/[MM]	WIDTH INCH [MM]	TENSILE STRENGTH (LBS)		
50009546	CT18100SSBC	100	50009600	CT18100SSBM	1000	NATURAL	0.91/[23]	4.02/[102]	.09/[2]	18	7.95/[202]	4.50/[114]
50009547	CT18100SSBC0	100	50009828	CT18100SSBMO	1000	UV RESISTANT BLACK	0.91/[23]	4.02/[102]	.09/[2]	18	7.95/[202]	4.50/[114]
50009548	CT18200SSBC	100	50009829	CT18200SSBM	1000	NATURAL	2.01/[51]	7.91/[201]	.09/[2]	18	11.85/[301]	4.50/[114]
50009549	CT18200SSBC0	100	50009830	CT18200SSBMO	1000	UV RESISTANT BLACK	2.01/[51]	7.91/[201]	.09/[2]	18	11.85/[301]	4.50/[114]
50009550	CT18087SSBC	100	50009831	CT18087SSBM	1000	NATURAL	0.87/[22]	3.94/[100]	.12/[3]	18	7.95/[202]	4.50/[114]
50009551	CT18087SSBC0	100	50009832	CT18087SSBMO	1000	UV RESISTANT BLACK	0.87/[22]	3.94/[100]	.12/[3]	18	7.95/[202]	4.50/[114]
50009552	CT40137SSBC	100	50009833	CT40137SSBM	1000	NATURAL	1.38/[35]	5.91/[150]	.14/[3]	40	9.45/[240]	4.38/[111]
50009553	CT40137SSBC0	100	50009834	CT40137SSBMO	1000	UV RESISTANT BLACK	1.38/[35]	5.91/[150]	.14/[3]	40	9.45/[240]	4.38/[111]
50009554	CT40300SSBC	100	50009835	CT40300SSBD	500	NATURAL	3.15/[80]	11.18/[284]	.14/[3]	40	15.70/[399]	4.38/[111]
50009555	CT40300SSBC0	100	50009836	CT40300SSBDO	500	UV RESISTANT BLACK	3.15/[80]	11.18/[284]	.14/[3]	40	15.70/[399]	4.38/[111]
50009556	CT40400SSBC	100	50009837	CT40400SSBD	500	NATURAL	4.09/[104]	14.49/[368]	.14/[3]	40	19.50/[495]	4.38/[111]
50009557	CT40400SSBC0	100	50009838	CT40400SSBDO	500	UV RESISTANT BLACK	4.09/[104]	14.49/[368]	.14/[3]	40	19.50/[495]	4.38/[111]
50009558	CT40200SSBC	100	50009839	CT40200SSBD	500	NATURAL	1.97/[50]	7.87/[200]	.15/[4]	40	11.85/[301]	4.56/[116]
50009559	CT40200SSBC0	100	50009840	CT40200SSBDO	500	UV RESISTANT BLACK	1.97/[50]	7.87/[200]	.15/[4]	40	11.85/[301]	4.56/[116]
50009560	CT50175SSBC	100	50009841	CT50175SSBD	500	NATURAL	1.77/[45]	7.32/[186]	.19/[5]	50	12.20/[310]	6.00/[152]
50009561	CT50175SSBC0	100	50009842	CT50175SSBDO	500	UV RESISTANT BLACK	1.77/[45]	7.32/[186]	.19/[5]	50	12.20/[310]	6.00/[152]
50009562	CT50250SSBC	100	50009843	CT50250SSBB	250	NATURAL	2.56/[65]	9.84/[250]	.19/[5]	50	14.25/[362]	6.10/[155]
50009563	CT50250SSBC0	100	50009844	CT50250SSBB0	250	UV RESISTANT BLACK	2.56/[65]	9.84/[250]	.19/[5]	50	14.25/[362]	6.10/[155]
50009564	CT50300SSBC	100	50009845	CT50300SSBB	250	NATURAL	3.19/[81]	11.61/[295]	.19/[5]	50	16.00/[406]	5.90/[150]
50009565	CT50300SSBC0	100	50009846	CT50300SSBB0	250	UV RESISTANT BLACK	3.19/[81]	11.61/[295]	.19/[5]	50	16.00/[406]	5.90/[150]
50009566	CT50400SSBC	100	50009847	CT50400SSBB	250	NATURAL	3.94/[100]	14.33/[364]	.19/[5]	50	17.72/[450]	5.90/[150]
50009567	CT50400SSBC0	100	50009848	CT50400SSBB0	250	UV RESISTANT BLACK	3.94/[100]	14.33/[364]	.19/[5]	50	17.72/[450]	5.90/[150]
50009568	CT50425SSBC	100	50009849	CT50425SSBB	250	NATURAL	4.21/[107]	14.96/[380]	.19/[5]	50	20.08/[510]	5.90/[150]
50009569	CT50425SSBC0	100	50009850	CT50425SSBB0	250	UV RESISTANT BLACK	4.21/[107]	14.96/[380]	.19/[5]	50	20.08/[510]	5.90/[150]
50009570	CT50200SSBC	100	50009851	CT50200SSBB	250	NATURAL	1.97/[50]	7.87/[200]	.24/[6]	50	12.20/[310]	6.00/[152]
50009571	CT50200SSBC0	100	50009852	CT50200SSBB0	250	UV RESISTANT BLACK	1.97/[50]	7.87/[200]	.24/[6]	50	12.20/[310]	6.00/[152]
50009572	CT110200SSBC	100	50009853	CT110200SSBB	250	NATURAL	2.01/[51]	8.70/[221]	.28/[7]	110	14.60/[371]	4.68/[119]
50009573	CT110200SSBC0	100	50009854	CT110200SSBB0	250	UV RESISTANT BLACK	2.01/[51]	8.70/[221]	.28/[7]	110	14.60/[371]	4.68/[119]
50009574	CT110325SSBC	100	50009855	CT110325SSBB	250	NATURAL	3.15/[80]	11.81/[300]	.28/[7]	110	17.20/[437]	4.68/[119]
50009575	CT110325SSBC0	100	50009856	CT110325SSBB0	250	UV RESISTANT BLACK	3.15/[80]	11.81/[300]	.28/[7]	110	17.20/[437]	4.68/[119]
50009857	CT110400SSBL	50	50009576	CT110400SSBC	100	NATURAL	4.02/[102]	14.88/[378]	.28/[7]	110	21.73/[552]	7.68/[195]
50009858	CT110400SSBL0	50	50009577	CT110400SSBC0	100	UV RESISTANT BLACK	4.02/[102]	14.88/[378]	.28/[7]	110	21.73/[552]	7.68/[195]
50009859	CT110500SSBL	50	50009578	CT110500SSBC	100	NATURAL	5.00/[127]	18.11/[460]	.28/[7]	110	22.72/[577]	7.68/[195]
50009860	CT110500SSBL0	50	50009579	CT110500SSBC0	100	UV RESISTANT BLACK	5.00/[127]	18.11/[460]	.28/[7]	110	22.72/[577]	7.68/[195]
50009861	CT110600SSBL	50	50009580	CT110600SSBC	100	NATURAL	5.98/[152]	21.18/[538]	.28/[7]	110	26.77/[680]	7.68/[195]
500020555	CT110600SSBL0	50	50009581	CT110600SSBC0	100	UV RESISTANT BLACK	5.98/[152]	21.18/[538]	.28/[7]	110	26.77/[680]	7.68/[195]
500020556	CT110800SSBL	50	50009582	CT110800SSBC	100	NATURAL	7.99/[203]	27.52/[699]	.28/[7]	110	34.06/[865]	7.68/[195]
500020516	CT110800SSBL0	50	50009583	CT110800SSBC0	100	UV RESISTANT BLACK	7.99/[203]	27.52/[699]	.28/[7]	110	34.06/[865]	7.68/[195]
500020540	CT110225SSBL	50	50009584	CT110225SSBC	100	NATURAL	2.24/[57]	9.45/[240]	.32/[8]	110	14.96/[380]	6.85/[174]
500020541	CT110225SSBL0	50	50009585	CT110225SSBC0	100	UV RESISTANT BLACK	2.24/[57]	9.45/[240]	.32/[8]	110	14.96/[380]	6.85/[174]


2

NOTE:
1. TABLE CONTINUES ON SHEET 2.

2. SEE "BAG" ILLUSTRATION ON SHEET 2.

3. DIMENSIONS IN BRACKETS [] ARE IN MILLIMETERS ROUNDED OFF TO THE NEAREST MILLIMETER, UNLESS OTHERWISE SPECIFIED AND ARE FOR REFERENCE ONLY.


4. MATERIAL: NATURAL COLOR IS NYLON 6/6. COLOR BLACK IS NYLON 6/6 UV STABILIZED. OPERATING TEMPERATURE IS -40C - 85C FOR ALL PRODUCTS.

5. UNLESS OTHERWISE NOTED ALL ITEMS ARE  LISTED.
6. OPTIMUM STORAGE CONDITIONS FOR NYLON 6/6 UNIRAP TIES: 70F / 21C AT 50% RELATIVE HUMIDITY. UNIRAP TIES SHOULD BE STORED IN THE ORIGINAL PACKAGING UNTIL READY TO USE.

REV.	DATE	DESCRIPTION	ECO	BY	C'H'K.
K	2019-11-10 23:00:00 EST	ADDED PART TO TABLE DATA	52463	JL	BE

TO ORDER BURNDY® PRODUCTS CALL
UNITED STATES:
1-800-346-4175 (LONDONDERRY, NH)
CANADA:
1-800-361-6975 (QUEBEC)
1-800-387-6487 (ALL OTHER PROVINCES)
FOR PRODUCT INFO: <http://www.burndy.com>

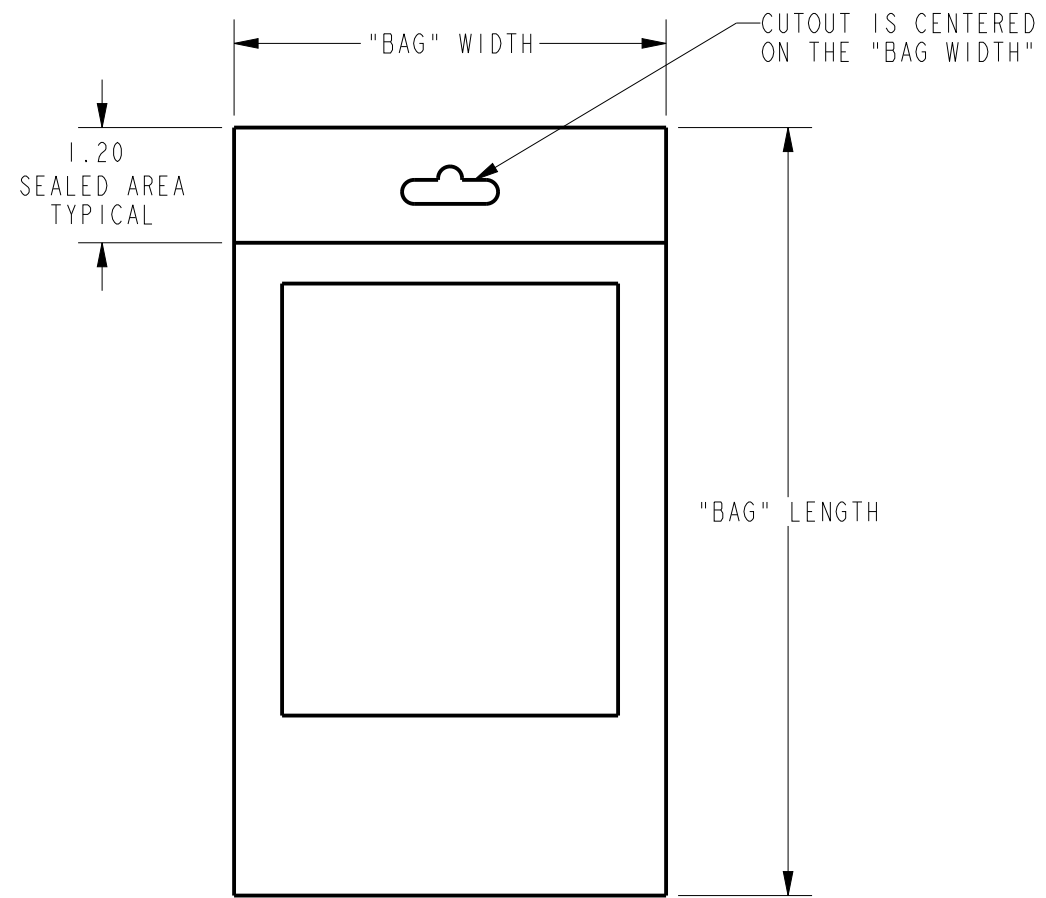
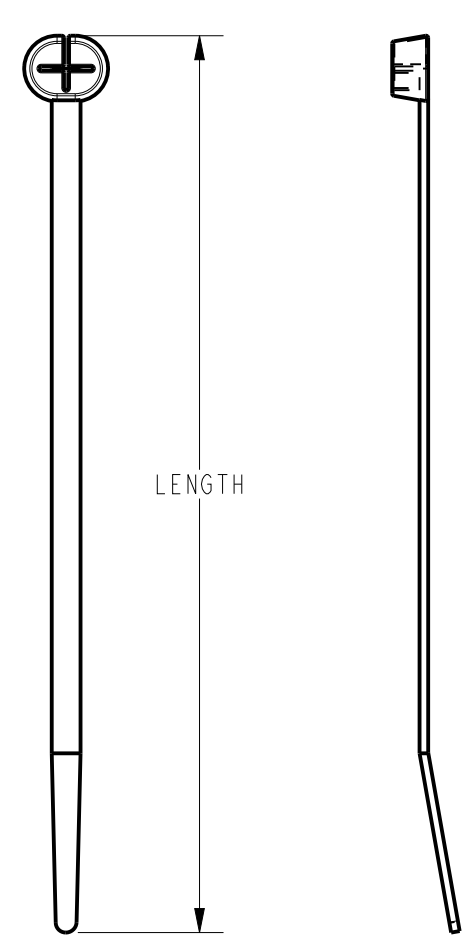
UNIRAP™ NYLON WITH STAINLESS STEEL BARB	
ITEM NO: SEE TABLE	
CAT. NO: SEE TABLE	
DRAWN BY: A. MONTMINY	10/16/12
CHECKER: A. MONTMINY	10/16/12
DSN APPVL: P. KEENAN	10/16/12
MFG APPVL: --	--
QA APPVL: J. BRODEUR	10/19/12
MKT APPVL: R. CAVANAUGH	10/16/12
PROJ FAM: --	SCALE: 3:800
PROJECT #: --	DRAWING NO
DOCUMENT TYPE: Sales	30022708
REL LEVEL: Released	SHEET 1 OF 2



REV: PE0200

REV.	DATE	DESCRIPTION	ECO	BY	C'H'K.
K	2019-11-10 23:00:00 EST	ADDED PART TO TABLE DATA	52463	JL	BE

UNIWRAP™ NYLON WITH STAINLESS STEEL BARB											STANDARD PACKAGE BAG SIZE FOR PLANOGRAM PURPOSES	
STANDARD PACKAGE			BULK PACKAGE			DESCRIPTION					BAG LENGTH (INCHES)	BAG WIDTH (INCHES)
ITEM NUMBER	CATALOG NUMBER	STD PKG QTY	ITEM NUMBER	CATALOG NUMBER	BULK QTY	COLOR	MAX BUNDLE DIA INCH/[MM]	LENGTH INCH/[MM]	WIDTH INCH/[MM]	TENSILE STRENGTH (LBS)		
500020542	CT110300SSBL	50	50009586	CT110300SSBC	100	NATURAL	2.99/[76]	11.81/[300]	.32/[8]	110	19.68/[500]	7.64/[194]
500020543	CT110300SSBL0	50	50009587	CT110300SSBC0	100	UV RESISTANT BLACK	2.99/[76]	11.81/[300]	.32/[8]	110	19.68/[500]	7.64/[194]
500020546	CT110350SSBL	50	50009588	CT110350SSBC	100	NATURAL	3.62/[92]	13.78/[350]	.32/[8]	110	17.91/[455]	7.64/[194]
500020547	CT110350SSBL0	50	50009589	CT110350SSBC0	100	UV RESISTANT BLACK	3.62/[92]	13.78/[350]	.32/[8]	110	17.91/[455]	7.64/[194]
500020517	CT120300SSBL	50	50009592	CT120300SSBC	100	NATURAL	3.15/[80]	11.81/[300]	.39/[10]	120	17.71/[450]	7.40/[188]
500020518	CT120300SSBL0	50	50009593	CT120300SSBC0	100	UV RESISTANT BLACK	3.15/[80]	11.81/[300]	.39/[10]	120	17.71/[450]	7.40/[188]
500020519	CT120350SSBL	50	50009594	CT120350SSBC	100	NATURAL	3.82/[97]	13.78/[350]	.39/[10]	120	19.76/[502]	7.60/[193]
500020520	CT120350SSBL0	50	50009595	CT120350SSBC0	100	UV RESISTANT BLACK	3.82/[97]	13.78/[350]	.39/[10]	120	19.76/[502]	7.60/[193]
500020521	CT120400SSBL	50	50009596	CT120400SSBC	100	NATURAL	4.33/[110]	15.75/[400]	.39/[10]	120	21.73/[552]	7.56/[192]
500020522	CT120400SSBL0	50	50009597	CT120400SSBC0	100	UV RESISTANT BLACK	4.33/[110]	15.75/[400]	.39/[10]	120	21.73/[552]	7.56/[192]
500020523	CT120500SSBL	50	50009598	CT120500SSBC	100	NATURAL	4.92/[125]	17.72/[450]	.39/[10]	120	22.83/[580]	7.56/[192]
500020524	CT120500SSBL0	50	50009599	CT120500SSBC0	100	UV RESISTANT BLACK	4.92/[125]	17.72/[450]	.39/[10]	120	22.83/[580]	7.56/[192]
- -	- - -	- -	50106520	CT1751200SSBB0	250	UV RESISTANT BLACK	11.81/[300]	39.37/[1000]	.35/[9]	175	49.21/[1250]	13.78/[350]



TO ORDER BURNDY® PRODUCTS CALL
 UNITED STATES:
 1-800-346-4175 (LONDONDERRY, NH)
 CANADA:
 1-800-361-6975 (QUEBEC)
 1-800-387-6487 (ALL OTHER PROVINCES)
 FOR PRODUCT INFO: <http://www.burndy.com>

UNIRAP NYLON WITH STAINLESS STEEL BARB	
ITEM NO: SEE TABLE	
CAT. NO: SEE TABLE	
DRAWN BY: A. MONTMINY	10/16/12
CHECKER: A. MONTMINY	10/16/12
DSN APPVL: P. KEENAN	10/16/12
MFG APPVL: --	--
QA APPVL: J. BRODEUR	10/19/12
MKT APPVL: R. CAVANAUGH	10/16/12
PROD FAM: --	SCALE: 3:800
PROJECT #: --	DRAWING NO
DOCUMENT TYPE: Sales	30022708
REL LEVEL: Released	B
	SHEET 2 OF 2
	K

REV: PE0200