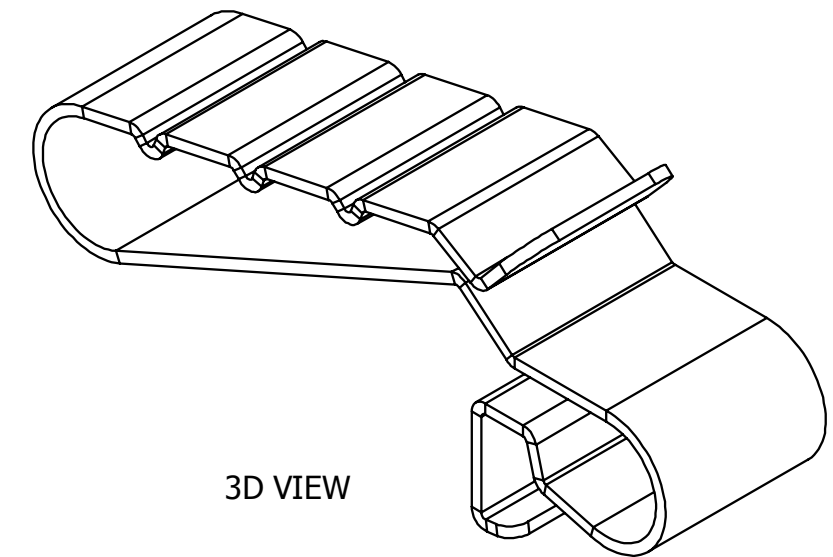
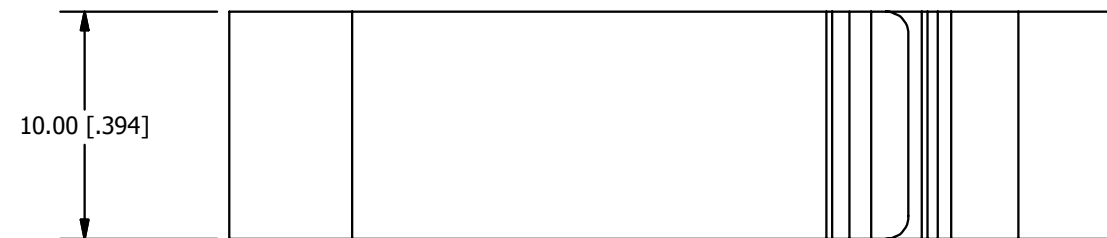
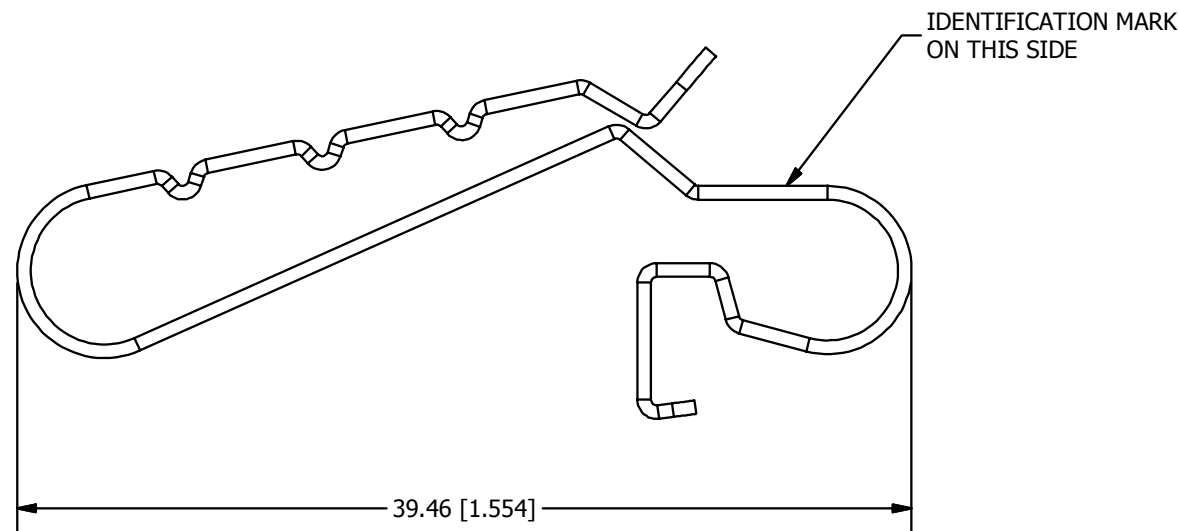
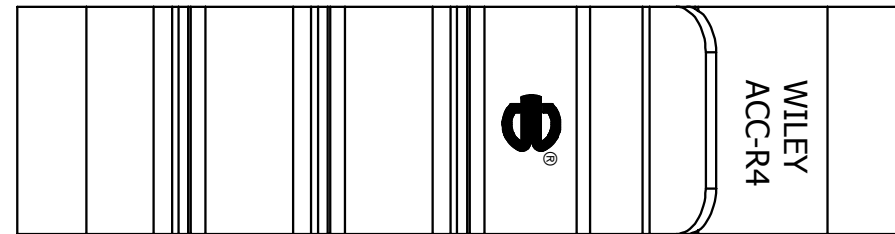


REV	DATE	DESCRIPTION	ECO	BY	C'H'K.
C	10/03/2012	UPDATE LOGO DETAILS FOR CAT.# ACC-R4	29005	SV	KP



3D VIEW

NOTES:

1. MATERIAL: 304 STAINLESS STEEL.
2. DIMENSIONS IN BRACKETS [] ARE IN INCHES ROUNDED OFF TO THE NEAREST TENTH, UNLESS OTHERWISE SPECIFIED AND ARE FOR REFERENCE ONLY.

TO ORDER BURNDY PRODUCTS CALL UNITED STATES 1-800-346-4175 (LONDONDERRY, NH) CANADA: 1-800-361-6975 (QUEBEC) 1-800-387-6487 (ALL OTHER PROVINCES) FOR PRODUCT INFO: http://www.burndy.com		EQUIPMENT BOND	
		ITEM NO: 30020079 CAT. NO: ACC-R4	
DRAWN BY: SENTHIL 10/17/2012 CHECKER: P KOVALOV 10/26/2012 DSN APRVL: T OLENICK 10/26/2012 MFG APRVL: L TROMBLEY 10/26/2012 QA APRVL: C KOWALCZYK 10/26/2012 MKT APRVL: --			
PROD FAM: PROJECT #: DOCUMENT TYPE: SALES REL LEVEL: Released		SIZE B	DRAWING NO 30023996 SHEET 1 OF 1
		REV C	