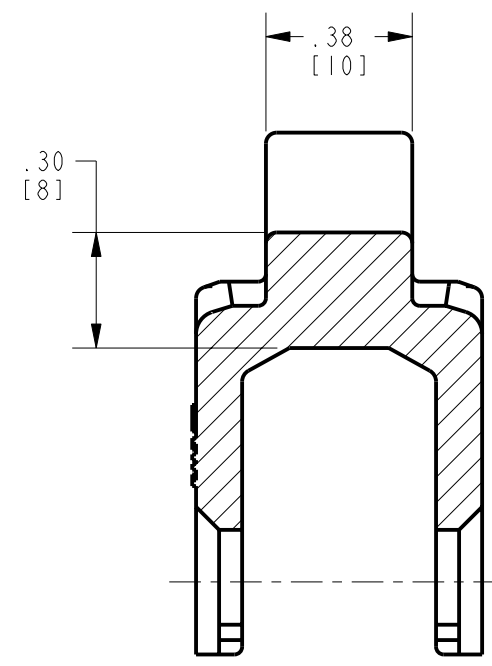
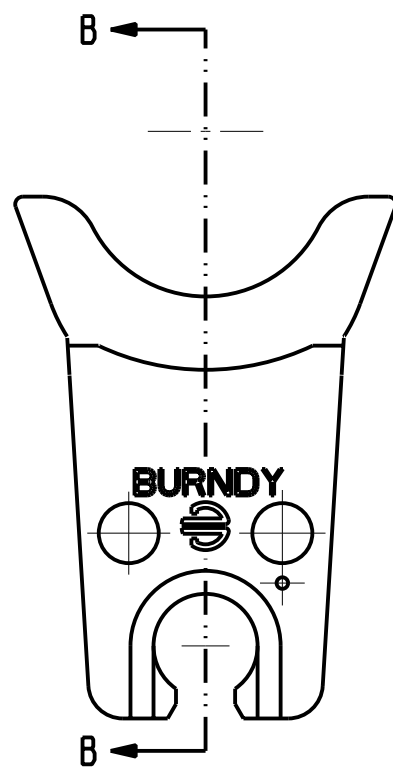
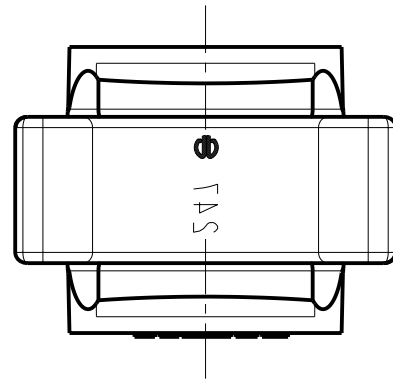
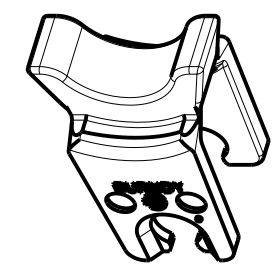
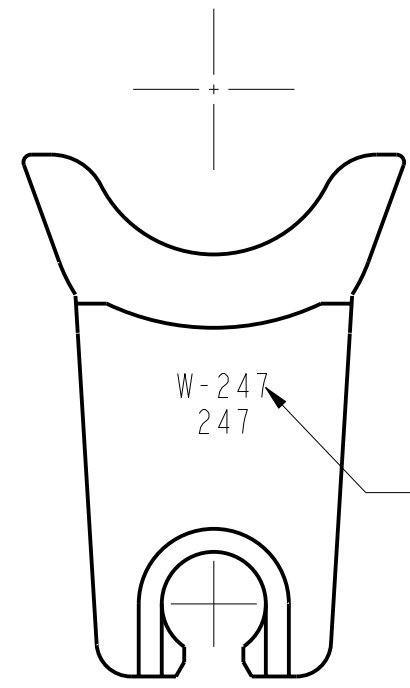


REV.	DATE	DESCRIPTION	ECO	BY	C'H'K.
B	01/27/2014 00:00:00 AM	UPDATED AS PER MU	34285	MVP	MB



SECTION B-B



1. DIMENSIONS IN BRACKETS [] ARE IN MILLIMETERS ROUNDED OFF TO THE NEAREST MILLIMETER, UNLESS OTHERWISE SPECIFIED, AND ARE FOR REFERENCE ONLY.
2. MATERIAL: STAINLESS STEEL.
3. DIE GAGE CAT NO. WPG247

TO ORDER BURNDY® PRODUCTS CALL
 UNITED STATES:
 1-800-346-4175 (LONDONDERRY, NH)
 CANADA:
 1-800-361-6975 (QUEBEC)
 1-800-387-6487 (ALL OTHER PROVINCES)
 FOR PRODUCT INFO: <http://www.burndy.com>

W-DIES (MD6 HYTOOL)		SCALE: 1:1	
ITEM NO: 464412		DRAWING NO	
CAT. NO: W247		REV	
DRAWN BY: I. ANBALAGAN	01/25/12	30024212	B
CHECKER: L. BROWN	01/26/12		
DSN APPVL: L. BROWN	01/26/12	SHEET 1 OF 1	
MFG APPVL: --	--		
QA APPVL: J. BRODEUR	01/27/12		
MKT APPVL: R. POIRIER	01/27/12		
PROD FAM: Tools_Mechanical/w-dies			
PROJECT #: --	SIZE		
DOCUMENT TYPE: Sales	B		
REL LEVEL: Released			

REV: PE0200