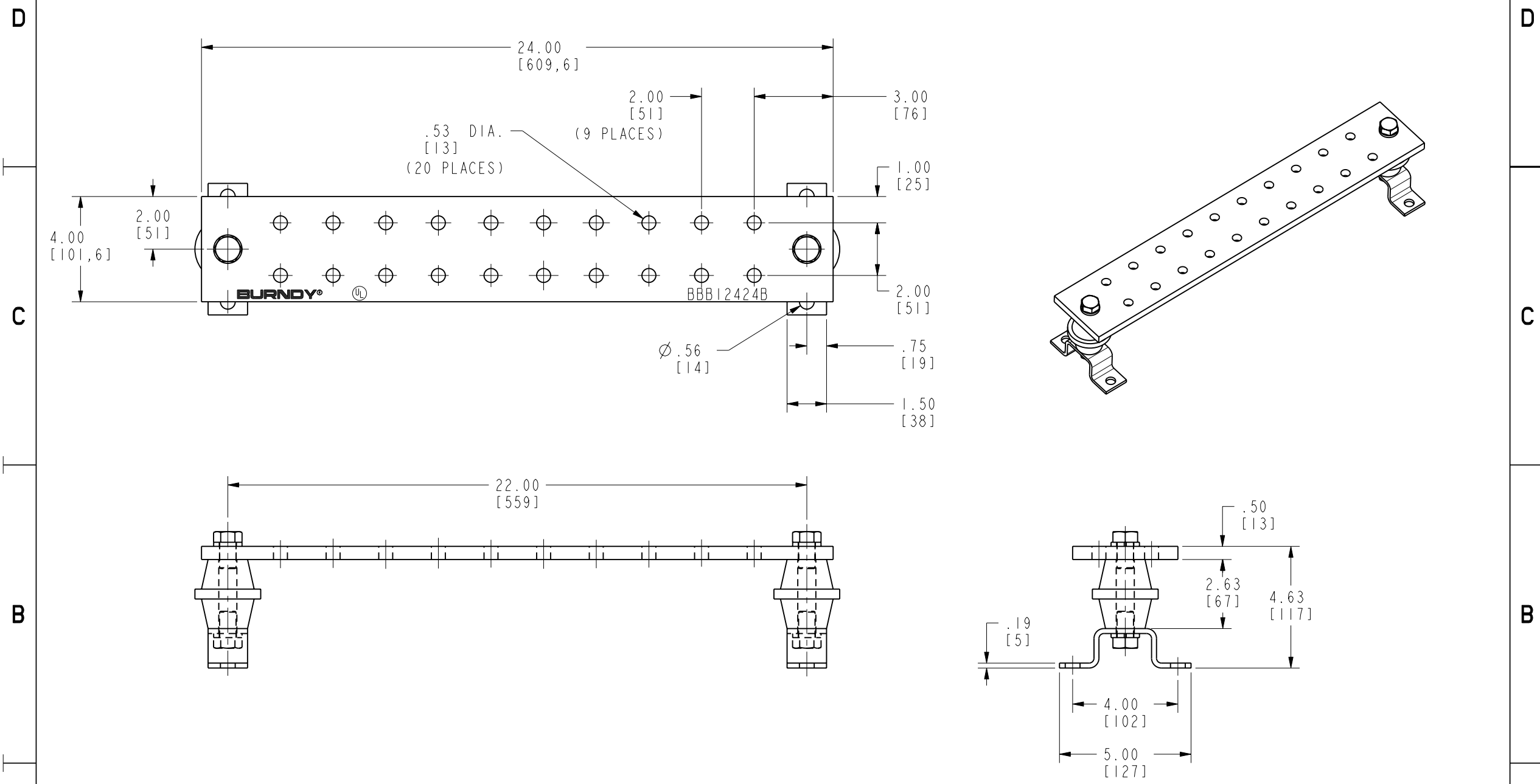


DRAWING NO.
30024306

REV	DATE	DESCRIPTION	ECO	BY	C'H'K.
A	01/27/2012 00:00:00 AM	NEW DRAWING RELEASED.	26630	TM	MA



NOTES:

1. MATERIAL: BUSBAR - COPPER.
2. DIMENSIONS IN [] BRACKETS ARE IN MILLIMETERS, ROUNDED OFF TO THE NEAREST MILLIMETER, UNLESS OTHERWISE NOTED. METRIC DIMENSIONS ARE FOR REFERENCE ONLY.
3. THIS CATALOG NUMBER INCLUDES ONE BUSBAR, TWO INSULATORS, TWO MOUNTING BRACKETS, FOUR MOUNTING BOLTS AND FOUR LOCKWASHERS.

<p>TO ORDER BURNDY® PRODUCTS CALL</p> <p>UNITED STATES: 1-800-346-4175 (LONDONDERRY, NH)</p> <p>CANADA: 1-800-361-6975 (QUEBEC) 1-800-387-6487 (ALL OTHER PROVINCES)</p> <p>FOR PRODUCT INFO: http://www.burndy.com</p>		<p>BUSBAR KIT</p> <p>ITEM NO: 30021509</p> <p>CAT. NO: BBB12424B</p> <p>DRAWN BY: M THAMARA 01/27/12</p> <p>CHECKER: K BOUTIN 02/09/12</p> <p>DSN APPVL: K BOUTIN 02/09/12</p> <p>MFG APPVL: P KEENAN 02/13/12</p> <p>QA APPVL: C ACKERMAN 02/23/12</p> <p>MKT APPVL: K ROBINCHEAU 02/09/12</p> <p>PROD FAM: MECHANICAL GROUNDING</p> <p>PROJECT #: - -</p> <p>DOCUMENT TYPE: Sales</p> <p>REL LEVEL: Released</p>		<p>SCALE: 3:8</p> <p>DRAWING NO: 30024306</p> <p>REV: A</p> <p>SHEET 1 OF 1</p>	
---	--	--	--	---	--

REV: PE0200