

REV.	DATE	DESCRIPTION	ECO	BY	C'H'K.
A	06/11/2012 00:00:00 AM	NEW DRAWING	27753	TRF	MAC

Y60LW HYPRESS™

60 TON REMOTE POWER OPERATED
HYDRAULIC TOOL - 10,000 PSI

THE Y60LW IS A SINGLE ACTING, LIGHT WEIGHT 60 TON HYPRESS™ DESIGNED TO INSTALL TRANSMISSION AND DISTRIBUTION CONNECTORS AND SLEEVES. THE Y60LW ACCOMMODATES THE SAME "L" DIES USED IN THE BURNDY® Y60BHU AND Y60BHUD. THE "L" DIES ARE DESIGNED FOR COPPER AND ALUMINUM CODE CABLES AND AERIAL CONDUCTOR SIZES THROUGH 2500 KCMIL AND WILL ACCOMMODATE ACSR THROUGH 2156 (84/19) STRAND. THESE TOOLS ARE DESIGNED TO BE LIGHT WEIGHT AND PORTABLE FOR EASY MANEUVERABILITY AND WILL OPERATE FROM ANY 10,000 PSI HYDRAULIC SOURCE WITH THE PROPER OIL CAPACITY.

BENEFITS

- PORTABLE, LIGHTWEIGHT DESIGN OF 43 LBS.
- 60 TONS OF CRIMP FORCE AT 10,000 PSI OPERATING PRESSURE
- LARGE JAW OPENING TO ACCOMMODATE COPPER AND ALUMINUM CODE CABLES AND AERIAL CONDUCTOR SIZES THROUGH 2500 KCMIL AND WILL ACCOMMODATE ACSR THROUGH 2156 (84/19) STRAND
- SINGLE ACTING RAM WITH HEAVY DUTY RETURN SPRING
- REMOVABLE DIE CAP IS EASILY ROTATED ALLOWING QUICK REMOVAL OF SPLICE CONNECTORS
- UPPER DIE CAP SECURELY LOCKS TO A POSITIVE DETENT POSITION FOR SAFE OPERATION
- FAST EASY DIE CHANGING AND SECURE DIE POSITIONING WITH POSITIVE DIE RELEASE LOCKING PINS
- DIE HOLDERS ACCOMMODATE BURNDY® "L" DIES (SHELL CONFIGURATION)
- STRONG DIE RETAINERS FOR ULTIMATE LIFE
- EASY TO CARRY WITH SIDE LIFT HANDLE
- UPPER DIE CAP LANYARD CABLE ENABLES A FREE HAND FOR POSITIONING WORK PIECE
- HEAVY DUTY HOISTING LOOP
- BASE STAND INCLUDED
- PROTECTED MALE COUPLER WITH CAPTIVE CAP
- 5-YEAR LIMITED WARRANTY

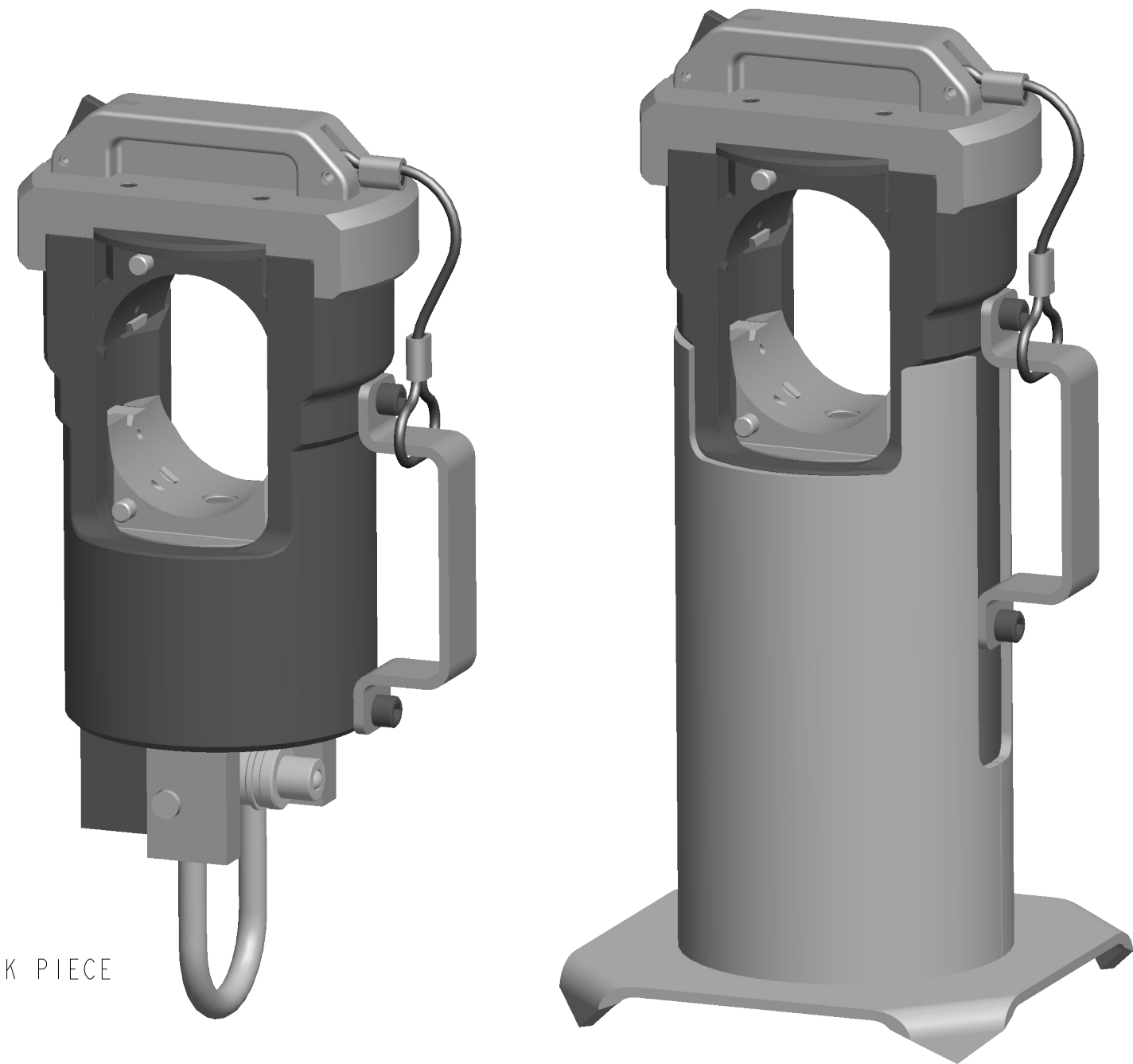
SPECIFICATIONS

FORCE DEVELOPED: 60 TONS
 OPERATING PRESSURE: 10,000 PSI
 WEIGHT: 43 LBS. (WITHOUT STAND)
 HEIGHT: 12.93" (WITHOUT STAND)
 WIDTH: 8.06" (WITHOUT STAND)
 STROKE: 1.5"

FOR USE ON:

TRANSMISSION AND DISTRIBUTION CONNECTORS
 TENSION SLEEVES:
 COPPER: 1/0 STR. - 1000 KCMIL
 ALUMINUM: 1/0 STR. - 2300 KCMIL
 ACSR: 1/0 STR. - 2156 (84/19 STR.)

AERIAL:
 COPPER: 4/0 STR. - 2500 KCMIL
 ALUMINUM: 3/0 STR. - 2500 KCMIL
 YTS, YTN, YNS, YNA, YNT, YNTA,
 YNU, YDS, YDN, YCS, YCA, YCU



TO ORDER BURNDY® PRODUCTS CALL		60 TON PRESS															
UNITED STATES: 1-800-346-4175 (LONDONDERRY, NH)		ITEM NO: 30016243															
CANADA: 1-800-361-6975 (QUEBEC) 1-800-387-6487 (ALL OTHER PROVINCES)		CAT. NO: Y60LW															
FOR PRODUCT INFO: http://www.burndy.com		<table border="1"> <tr> <td>DRAWN BY: T. FAUCHER</td> <td>04/20/2012</td> <td rowspan="6" style="text-align: center;">BURNDY</td> <td rowspan="6" style="text-align: center;">SCALE: 1:1</td> </tr> <tr> <td>CHECKER: R. POIRIER</td> <td>06/08/2012</td> </tr> <tr> <td>DSN APPVL: M. CHIASSON</td> <td>06/08/2012</td> </tr> <tr> <td>MFG APPVL: S. GONYAW</td> <td>06/08/2012</td> </tr> <tr> <td>QA APPVL: J. BRODEUR</td> <td>06/08/2012</td> </tr> <tr> <td>MKT APPVL: R. POIRIER</td> <td>06/08/2012</td> </tr> </table>		DRAWN BY: T. FAUCHER	04/20/2012	BURNDY	SCALE: 1:1	CHECKER: R. POIRIER	06/08/2012	DSN APPVL: M. CHIASSON	06/08/2012	MFG APPVL: S. GONYAW	06/08/2012	QA APPVL: J. BRODEUR	06/08/2012	MKT APPVL: R. POIRIER	06/08/2012
DRAWN BY: T. FAUCHER	04/20/2012	BURNDY	SCALE: 1:1														
CHECKER: R. POIRIER	06/08/2012																
DSN APPVL: M. CHIASSON	06/08/2012																
MFG APPVL: S. GONYAW	06/08/2012																
QA APPVL: J. BRODEUR	06/08/2012																
MKT APPVL: R. POIRIER	06/08/2012																
PROJECT #: 13910	SIZE: B	DRAWING NO: 30026179	REV: A														
DOCUMENT TYPE: Sales	REL LEVEL: Released	SHEET 1 OF 1															

REV: PE0200