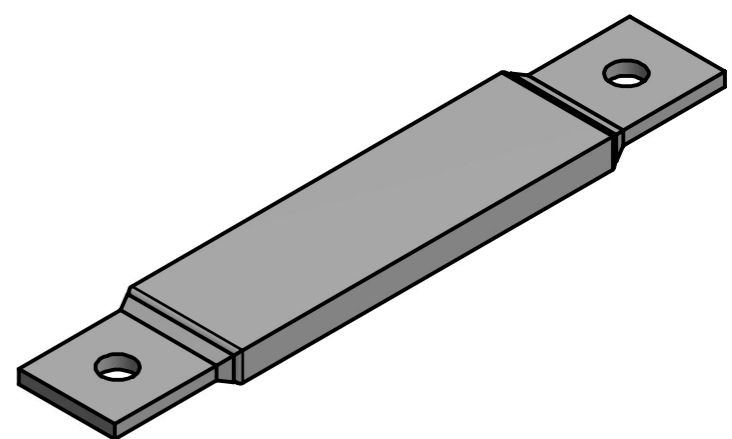
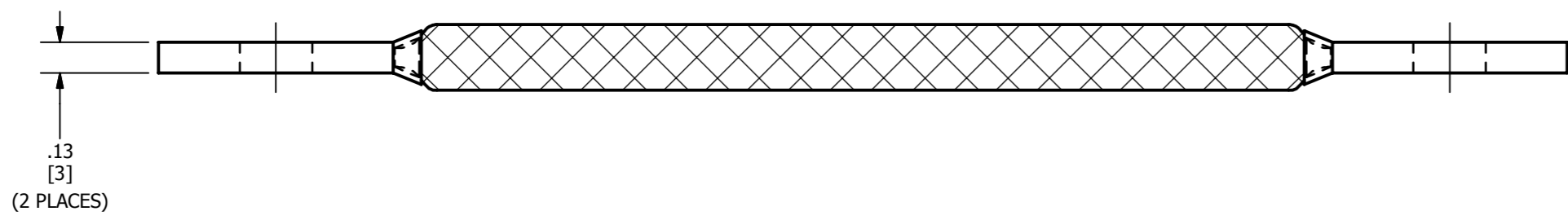
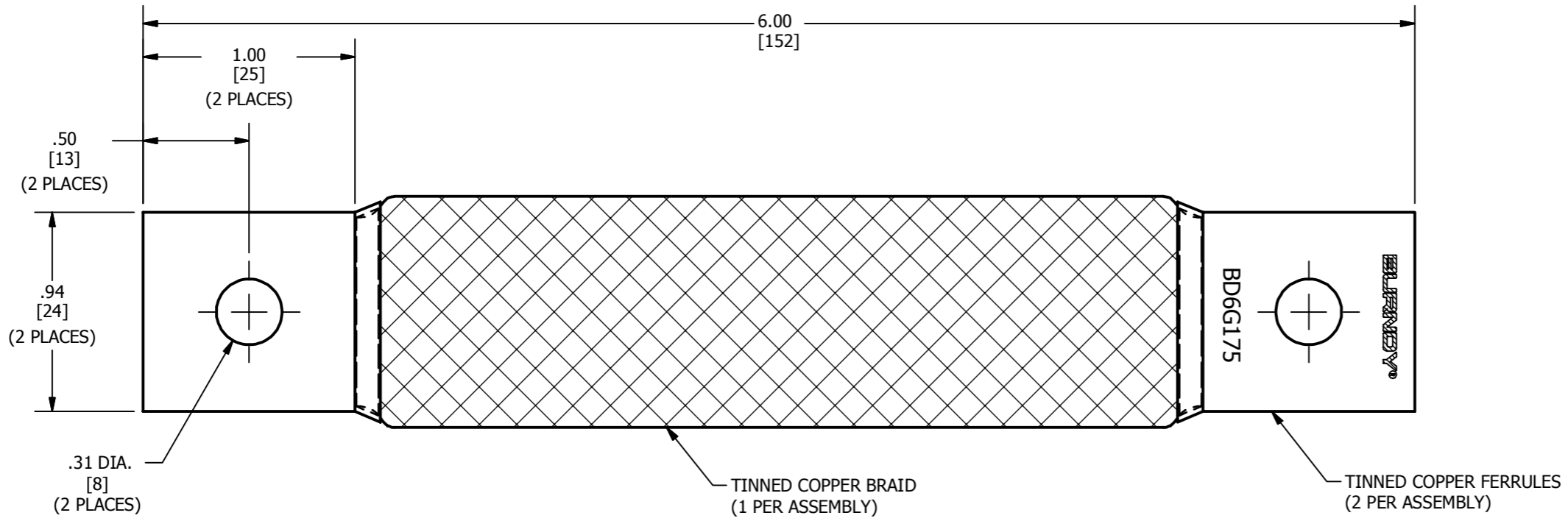


REV	DATE	DESCRIPTION	ECO	BY	CHK.
A	03/07/2012	NEW DRAWING CREATED	26956	AD	MA



NOTE:

1. DIMENSIONS IN BRACKETS [] ARE IN MILLIMETERS ROUNDED OFF TO THE NEAREST MILLIMETER, UNLESS OTHERWISE NOTED, AND ARE FOR REFERENCE ONLY.

TO ORDER BURNDY® PRODUCTS CALL		BRAID																
UNITED STATES 1-800-346-4175 (LONDONDERRY, NH)		ITEM NO: 33204B																
CANADA: 1-800-361-6975 (QUEBEC) 1-800-387-6487 (ALL OTHER PROVINCES)		CAT. NO: BD6G175TN																
FOR PRODUCT INFO: http://www.burndy.com		<table border="1"> <tr> <td>DRAWN BY: S.AUGUSTIN</td> <td>3/7/2012</td> <td rowspan="4"></td> </tr> <tr> <td>CHECKER: M.EVAN</td> <td>3/19/2012</td> </tr> <tr> <td>DSN APRVL: M.EVAN</td> <td>3/19/2012</td> </tr> <tr> <td>MFG APRVL: --</td> <td>--</td> </tr> <tr> <td>QA APRVL: C.KOWALCZYK</td> <td>3/19/2012</td> <td></td> </tr> <tr> <td>MKT APRVL: K.ROBICHEAU</td> <td>3/20/2012</td> <td></td> </tr> </table>		DRAWN BY: S.AUGUSTIN	3/7/2012		CHECKER: M.EVAN	3/19/2012	DSN APRVL: M.EVAN	3/19/2012	MFG APRVL: --	--	QA APRVL: C.KOWALCZYK	3/19/2012		MKT APRVL: K.ROBICHEAU	3/20/2012	
DRAWN BY: S.AUGUSTIN	3/7/2012																	
CHECKER: M.EVAN	3/19/2012																	
DSN APRVL: M.EVAN	3/19/2012																	
MFG APRVL: --	--																	
QA APRVL: C.KOWALCZYK	3/19/2012																	
MKT APRVL: K.ROBICHEAU	3/20/2012																	
PROD FAM: MECHANICAL GROUNDING	DRAWING NO	REV																
PROJECT #: PRODUCTION	SIZE	30026368	A															
REL LEVEL: Released	B	SHEET 1 OF 1																