
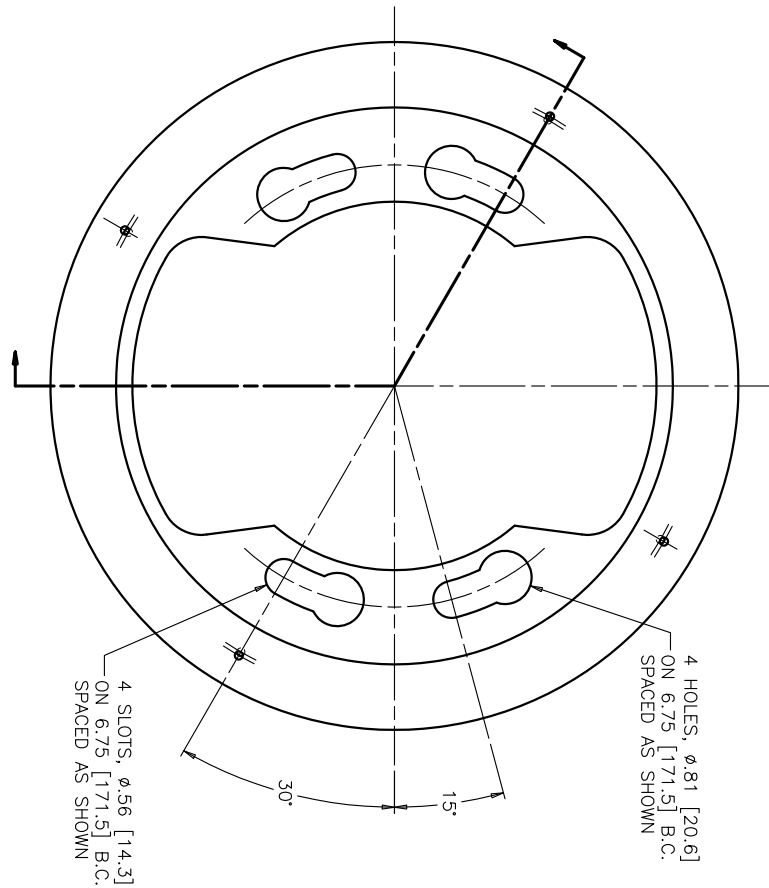
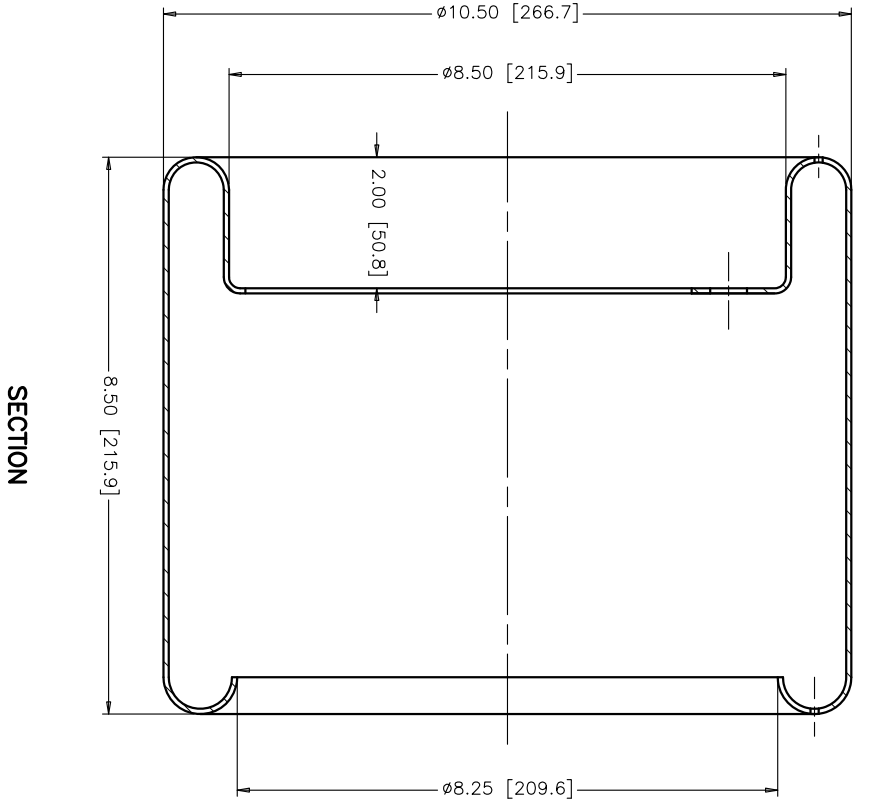


REVISION	DATE		PART No. SDB-311785 & C
REVISED NOTES	8-27-15		TITLE
ADDED SLOTS & Ø.81 HOLES, CENTER OPENING WAS RECTANGULAR	12-5-16		ALUMINUM SHIELD ASSEMBLY
		DATE 4-9-15	SCALE 1/2
REF. ALUMINUM SHIELD WITH HARDWARE SHIPPED IN WAX DIPPED CARTON			

- NOTES:
1. DIMENSIONS ARE IN INCHES. [MILLIMETERS].
 2. "C" SUFFIX INDICATES EPOXY COATED SHIELD.



NOTE TO PURCHASER: PRODUCTS ARE SUBJECT TO OUR STANDARD TERMS AND CONDITIONS AND THE LIMITED WARRANTIES THEREUNDER