

REVISION

DATE

ERROR: ϕ "B" WAS ϕ "A", ϕ "A" WAS ϕ "B"

3-20-12

ADDED ITEM 4 & HOLE COLUMN

9-27-13



PCORE
ELECTRIC

PART No. SDB-316082-C (SERIES)

TITLE

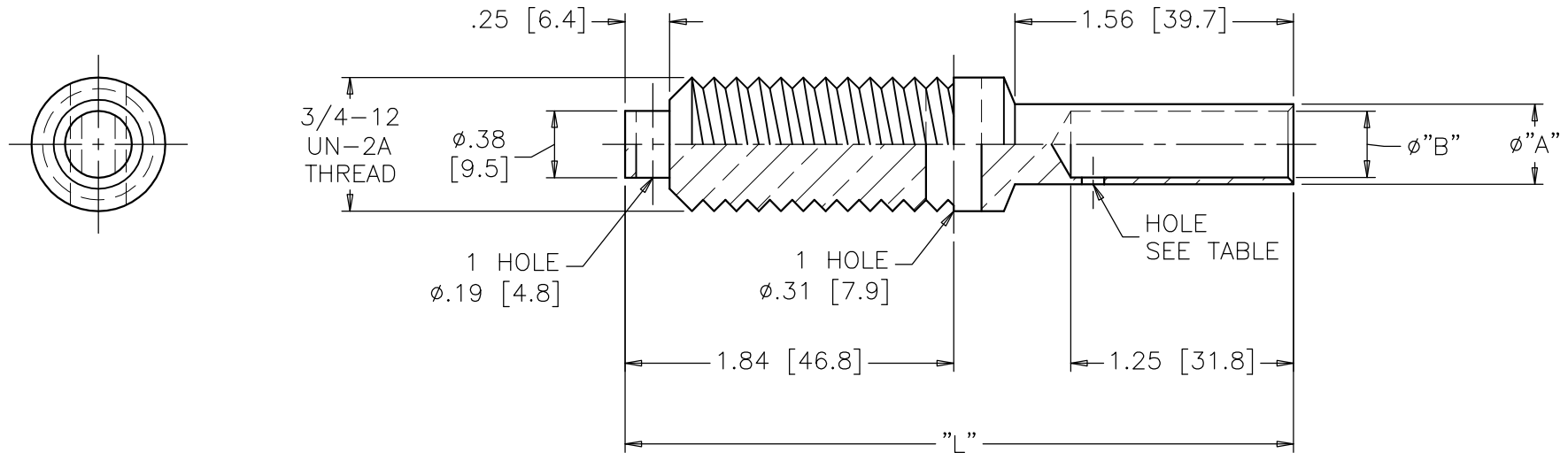
CRIMP TYPE
DRAW LEAD TERMINAL

DATE 1-20-12

SCALE 1/1

REF.

NOTES: 1. DIMENSIONS ARE IN INCHES [MILLIMETERS]
2. MATERIAL - COPPER



4	3.75 [95.3]	.75 [19.05]	NO HOLE	NO	NA
3	5.75 [146.0]	.563 [14.30]	.444 [11.28]	YES	1/0 AWG
2	3.75 [95.2]	.622 [15.80]	.544 [13.82]	YES	2/0 AWG
1	3.75 [95.2]	.450 [11.43]	.372 [9.45]	YES	#2
ITEM	"L"	"A"	"B"	HOLE	CABLE SIZE